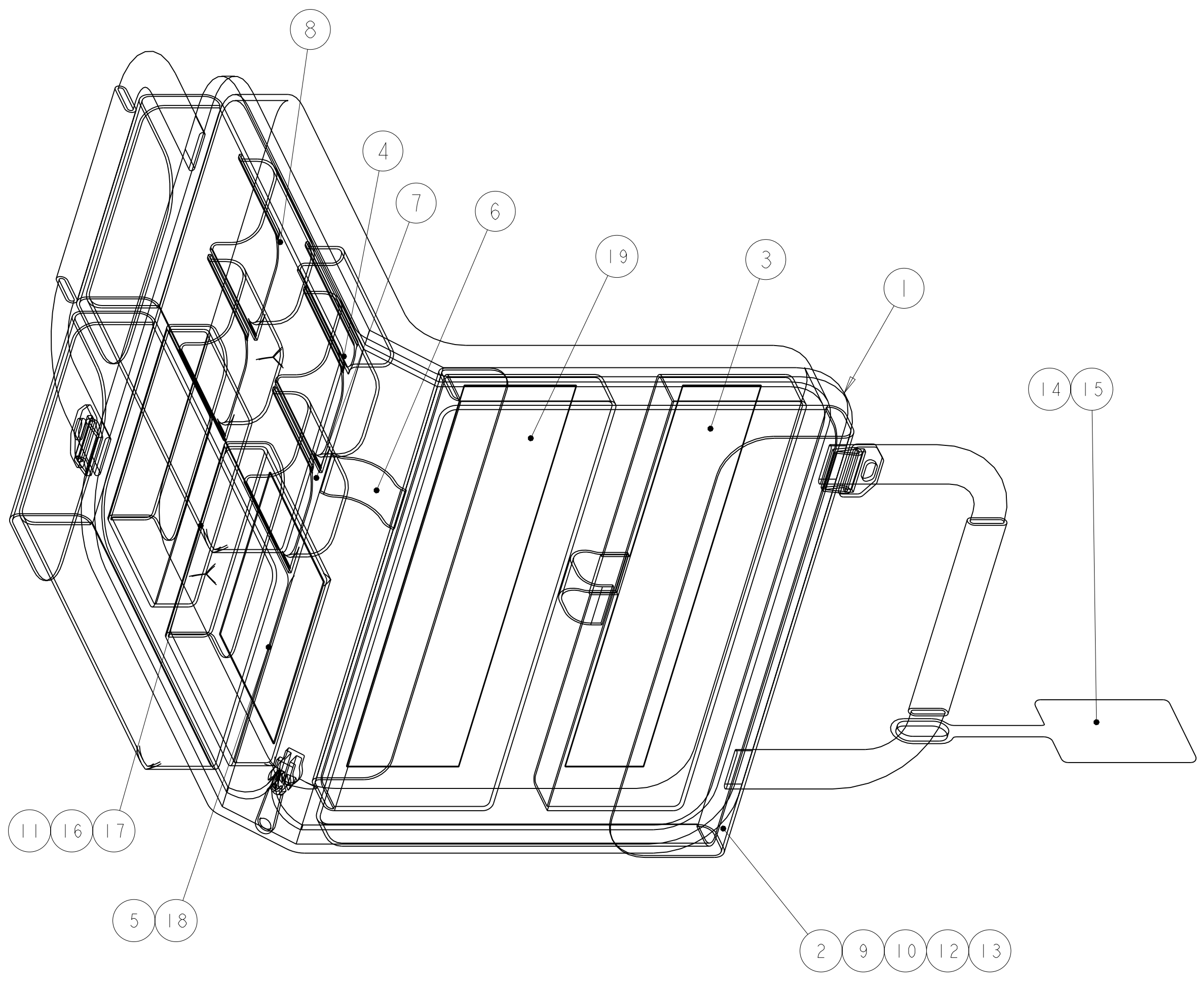


THIS DRAWING IS UNPUBLISHED. RELEASED FOR PUBLICATION
 © COPYRIGHT 19 BY TYCO ELECTRONICS CORPORATION. ALL RIGHTS RESERVED.

| LOC | DIST | REVISIONS | | | | | |
|-----|------|-----------|-----|--------------------------|-----------|-----|------|
| CE | 00 | P | LTR | DESCRIPTION | DATE | DWN | APVD |
| | | Z | | REVISE PER ECR-05-005983 | 01AUG2005 | BB | DK |
| | | | | | | | |
| | | | | | | | |



SUPERCEDED BY:
503330-3

| | | | | | |
|----|----|----|----------------------------------|-------------|------|
| 1 | 1 | - | MICROSCOPE W/10x OBJECTIVE | 1754767-1 | 19 |
| 1 | 1 | 1 | CABLE PREP TEMPLATE (XTC/NeXTC) | 503574-1 | 18 |
| 1 | 1 | 1 | POLISHING BUSHING, BEIGE PLASTIC | 503304-2 | 17 |
| 1 | 1 | 1 | POLISHING BUSHING, BLACK PLASTIC | 503304-1 | 16 |
| 1 | 1 | - | CASE LABEL | - | 15 |
| - | - | 1 | CASE LABEL | - | 14 |
| 1 | 1 | 1 | POLISH PAD (RECTANGULAR) | 504584-1 | 13 |
| 1 | 1 | 1 | POLISH PAD (CIRCULAR) | 501523-1 | 12 |
| 1 | 1 | 1 | POLISHING BUSHING, METAL | 503337-1 | 11 |
| 10 | 10 | 10 | LAPPING FILM, 5um | 228433-8 | 10 |
| 10 | 10 | 10 | LAPPING FILM, 0.3um | 228433-5 | 9 |
| 1 | 1 | 1 | MICRO STRIP TOOL, (.008) | 492109-2 | 8 |
| 1 | 1 | 1 | COMBINATION STRIP TOOL | 1278947-1 | 7 |
| 1 | 1 | 1 | SCISSORS | 501014-1 | 6 |
| 1 | 1 | 1 | UNIVERSAL CLEAVE TOOL | 503705-1 | 5 |
| 1 | 1 | 1 | CABLE STRIPPER | 1278531-1 | 4 |
| 1 | 1 | 1 | HAND TOOL, W/DIESET (XTC/NeXTC) | 492623-1 | 3 |
| 1 | 1 | 1 | POLISH PLATE | 501197-1 | 2 |
| 1 | 1 | 1 | PREMIUM SOFTCASE | - | 1 |
| -3 | -2 | -1 | DESCRIPTION | PART NUMBER | ITEM |

| | | | |
|---|---|---|---|
| <small>THIS DRAWING IS A CONTROLLED DOCUMENT FOR TYCO ELECTRONICS CORPORATION IT IS SUBJECT TO CHANGE AND THE CONTROLLING ENGINEERING ORGANIZATION SHOULD BE CONTACTED FOR THE LATEST REVISION.</small> | | DWN B. BRIGGS 01AUG2005 CHR D. KIRSCH 01AUG2005 APVD S. BUCHTER 01AUG2005 | AMP AMP Incorporated Harrisburg, PA 17105-3608 |
| DIMENSIONS: mm | TOLERANCES UNLESS OTHERWISE SPECIFIED: 0 PLC ± 1 PLC ± 2 PLC ± 3 PLC ± 4 PLC ± ANGLES ± FINISH - | NAME TERMINATION KIT, LightCrimp XTC | SIZE A2 CAGE CODE 00779 DRAWING NO C=503330 RESTRICTED TO - |
| MATERIAL - | FINISH - | WEIGHT - | SCALE 1:2 SHEET 1 OF 1 REV Z |
| CUSTOMER DRAWING | | | |