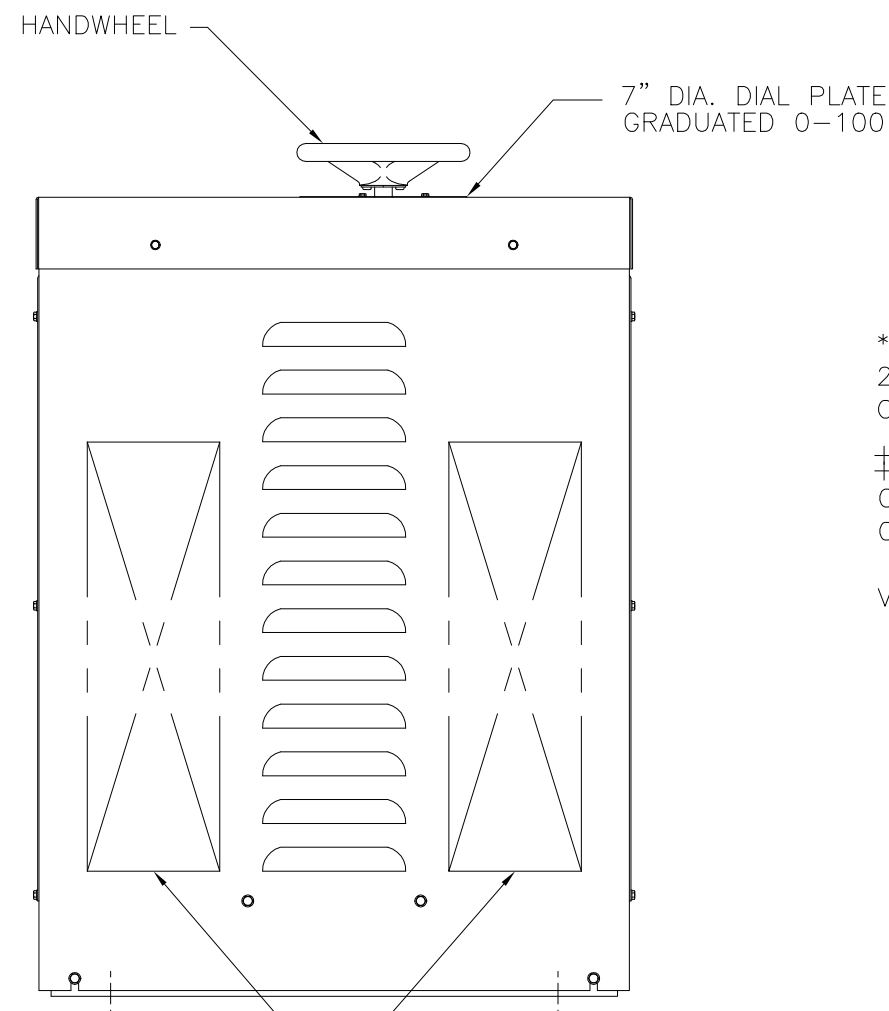
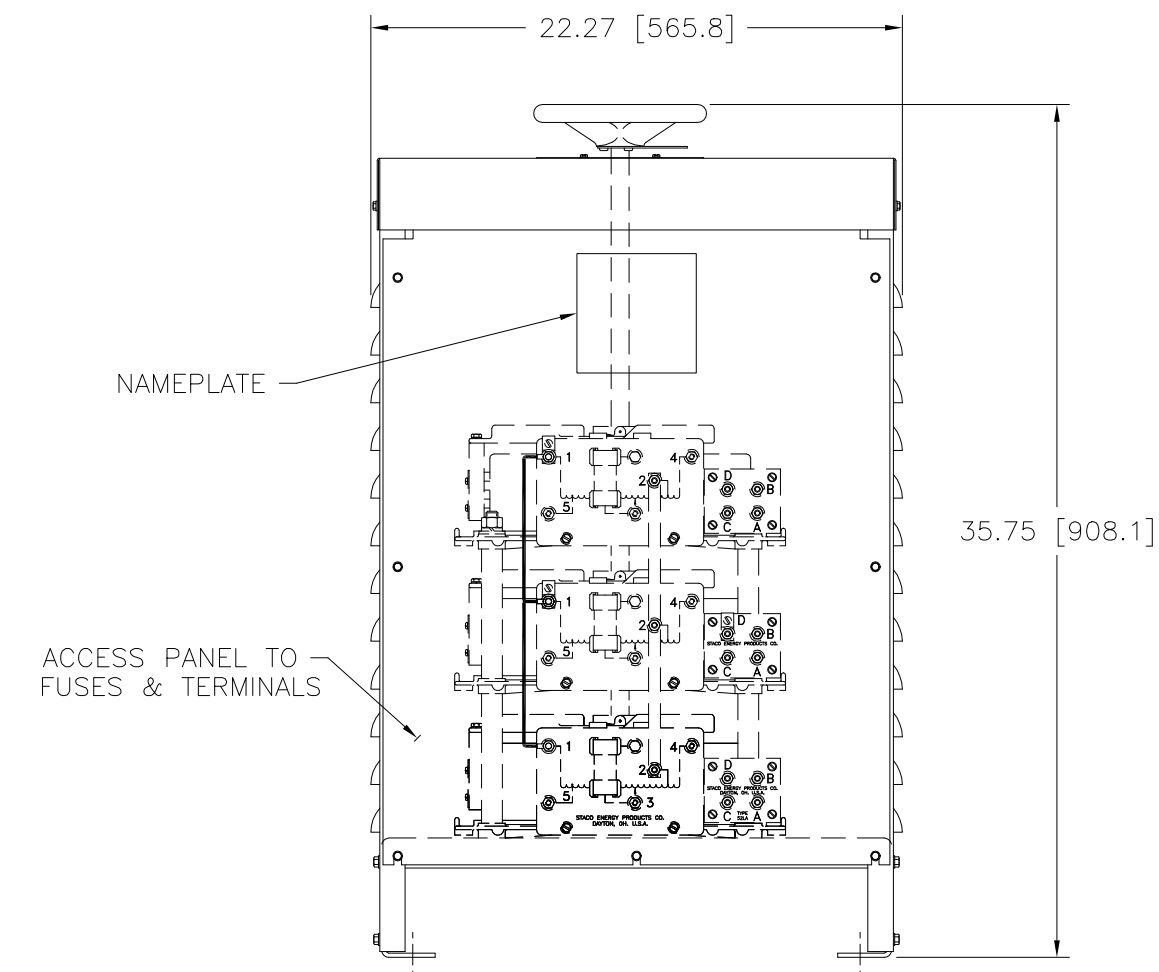


FIGURE A
 MAXIMUM OUTPUT CURRENT OF ANY DUAL INPUT VOLTAGE OR VOLTAGE DOUBLER UNIT OPERATED AT LOWER INPUT VOLTAGE.

* MAXIMUM OUTPUT CURRENT IN OUTPUT VOLTAGE RANGE FROM 0 TO 25% ABOVE LINE VOLTAGE. AT HIGHER OUTPUT VOLTAGES, OUTPUT CURRENT MUST BE REDUCED ACCORDING TO RATING CURVE, FIGURE A.

‡ MAXIMUM KVA AT MAXIMUM OUTPUT AND CORRESPONDING DE-RATED CURRENT. MAXIMUM KVA AT LOWER OUTPUT VOLTAGES MAY BE CALCULATED FROM RATING CURVE FIGURE A.

V.D. = VOLTAGE DOUBLER.



RECOMMENDED AREAS FOR CONDUIT ENTRY.

WIRING	INPUT		OUTPUT		SHAFT ROTATION FOR VOLTAGE INCREASE	TERMINAL CONNECTIONS FOR INCREASING VOLTAGE AS VIEWED FROM TOP		
	VOLTS	HERTZ	VOLTS	CONSTANT CURRENT LOAD		INPUT	OUTPUT	
				MAX. AMPS				MAX. KVA
SINGLE PHASE PARALLEL	240	50/60	0-240	84	20.2	CW	1-4	1-D
			0-280	84	23.5		1-2	1-D
	120	50/60	0-280	84* V.D.	10.2 ‡	CW	1-5	1-D

UNLESS OTHERWISE SPECIFIED, TOLERANCE IS ± DECIMALS .XX .XXX .12 .0002 .03 1° DRAFT 1-1/2° UNITS IN [mm]

MATERIAL: ALL DIMENSIONS APPLY AFTER PLATING

TITLE: SPEC. CONTROL DRAWING VARIABLE CURRENT TRANSFORMER TYPE: 5021E-3P

DRAWN BY: TIM RAU DATE: 7/2/98 FIRST USED ON: DO NOT SCALE DWG. CAGE CODE: 83008

CHECKER: DATE: WEIGHT APPROX. SCALE: .25=1 SHEET 1 OF 1

ENGINEER: DATE: SCALE: .25=1 SHEET 1 OF 1

STACO ENERGY PRODUCTS CO.
 A Components Corporation of Ametec Company
 302 Gadsden Boulevard Dayton, Ohio 45403 USA

DWG. NO. 031-7452