

4

3

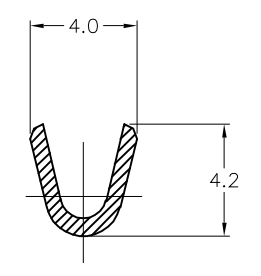
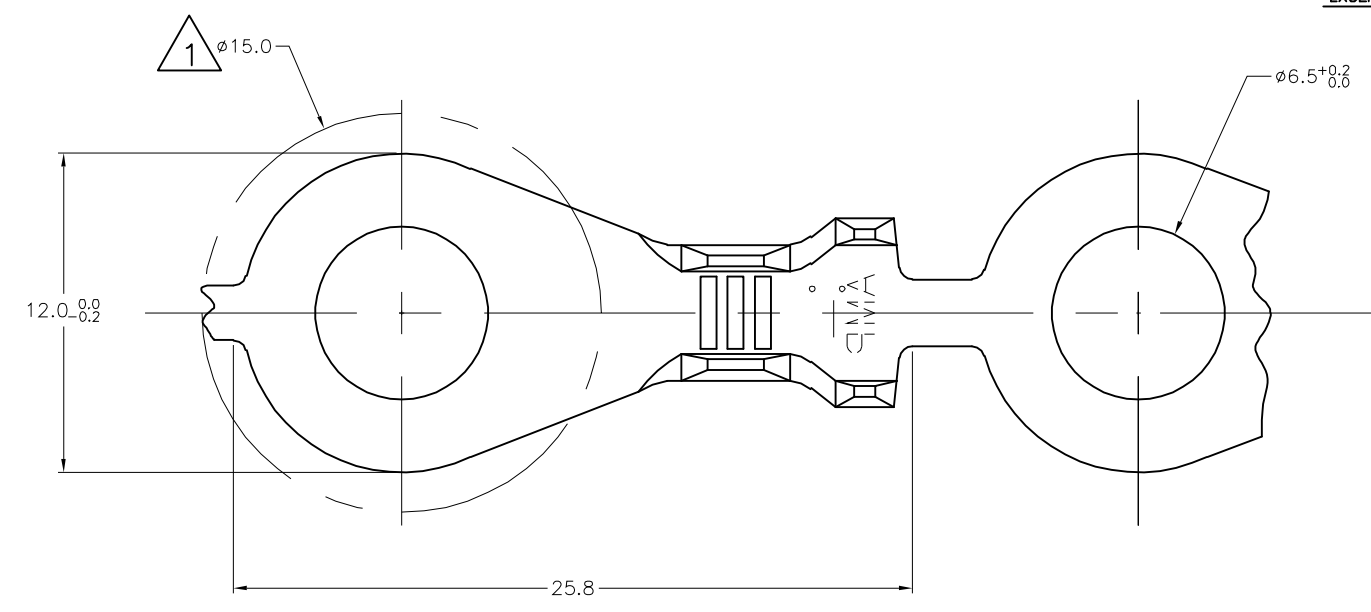
2

1

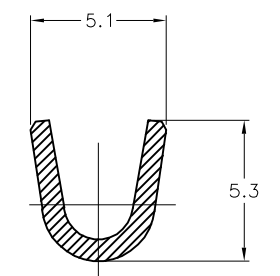
THIS DRAWING IS UNPUBLISHED. RELEASED FOR PUBLICATION
 © COPYRIGHT - By - ALL RIGHTS RESERVED.

CAD
 AutoCAD
 DO NOT REVISE
 EXCEPT BY CAD

LOC	DIST	REVISIONS			
P	LTR	DESCRIPTION	DATE	DWN	APVD
AP	-				
	A2	CHANGE SPEC ECO-13-011010	13AUG2013	NCL	DAO

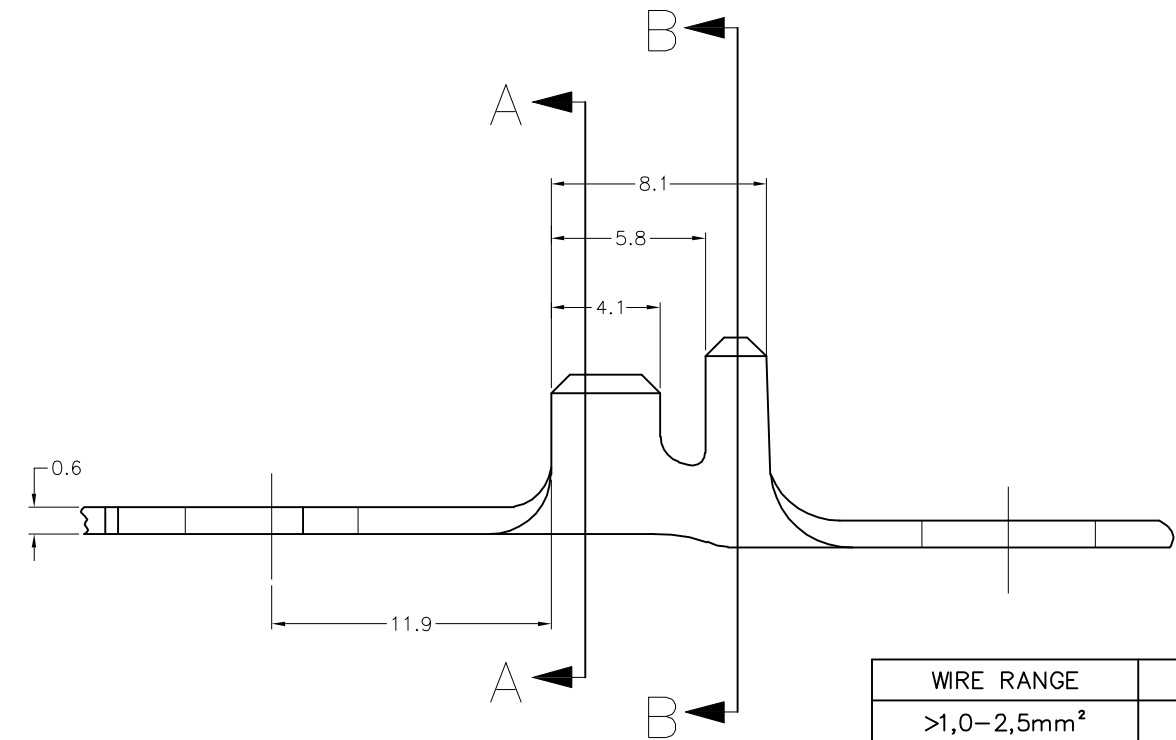


SECÇÃO SECTION A-A



SECÇÃO SECTION B-B

△ 1 - REGIÃO LIVRE PARA FERRAMENTA.
 TOOL CLEARANCE AREA.



ELECTRO TIN SPEC 112-16-3 2,5µm	PHOSPHOR BRONZE SPEC TE 100-221 H04	444155-4
PLAIN	PHOSPHOR BRONZE SPEC TE 100-221 H04	444155-3
ELECTRO TIN SPEC 112-16-3 2,5µm	BRASS SPEC TE 100-1512	444155-2
PLAIN	BRASS SPEC TE 100-1512	444155-1
FINISH	MATERIAL	PART NO

WIRE RANGE	INS.RANGE
>1,0-2,5mm ²	2,1-2,9mm

THIS DRAWING IS A CONTROLLED DOCUMENT.

DIMENSIONS:	TOLERANCES UNLESS OTHERWISE SPECIFIED:
mm	
0 PLC	± -
1 PLC	± 0,3
2 PLC	± -
3 PLC	± -
4 PLC	± -
ANGLES	± 1°

MATERIAL	FINISH
SEE TABLE	SEE TABLE

DWN	E.J.G.SILVA	09SEP2008
CHK	M.GISOLDI	11SEP2008
APVD	M.GISOLDI	11SEP2008
PRODUCT SPEC		
APPLICATION SPEC		
WEIGHT	-	

TE TE Connectivity			
RING TONGUE			
SIZE	CAGE CODE	DRAWING NO	RESTRICTED TO
A3	00779	C=444155	-

CUSTOMER DRAWING	SCALE	SHEET	REV
	4:1	1 of 1	A2