

THIS DRAWING IS UNPUBLISHED.

RELEASED FOR PUBLICATION

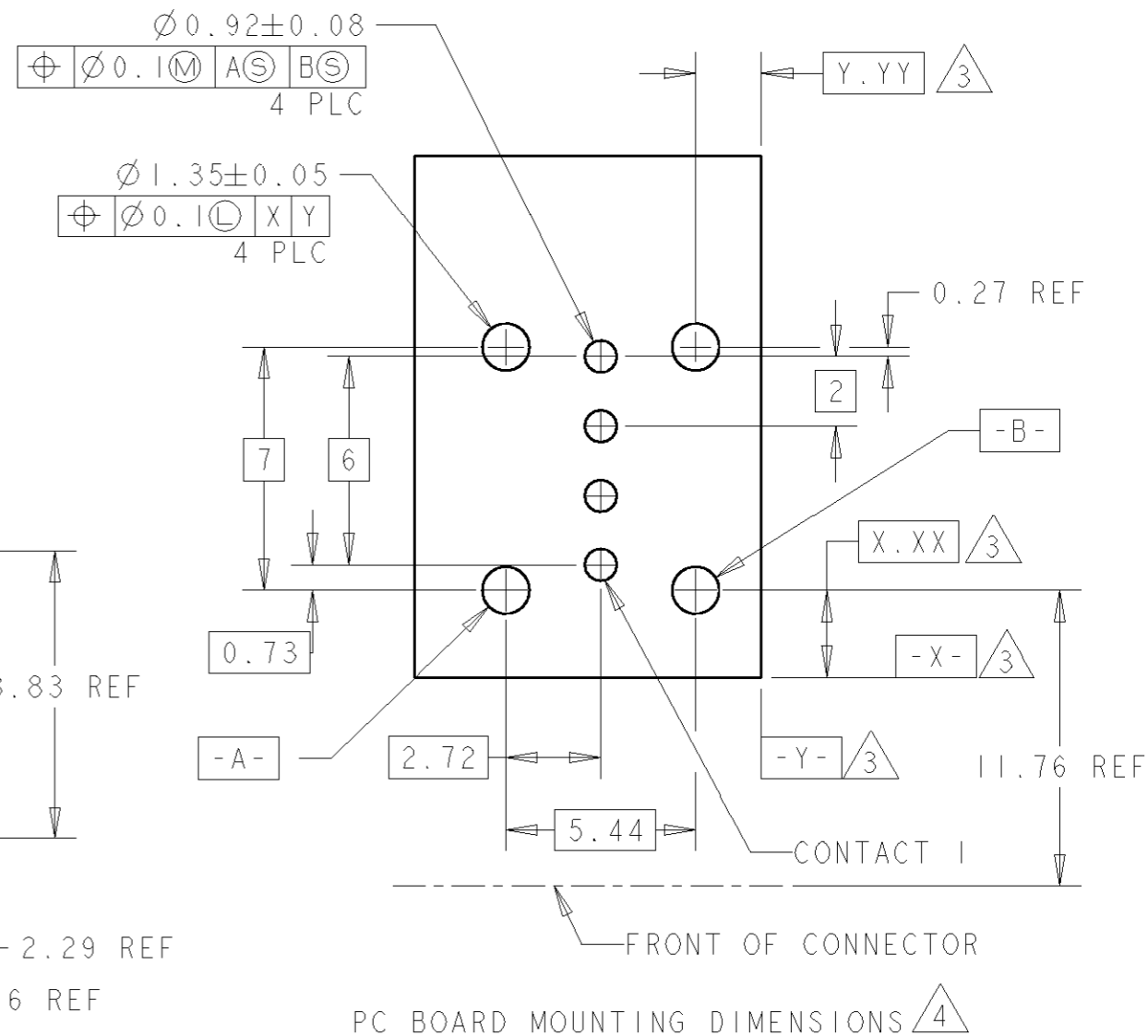
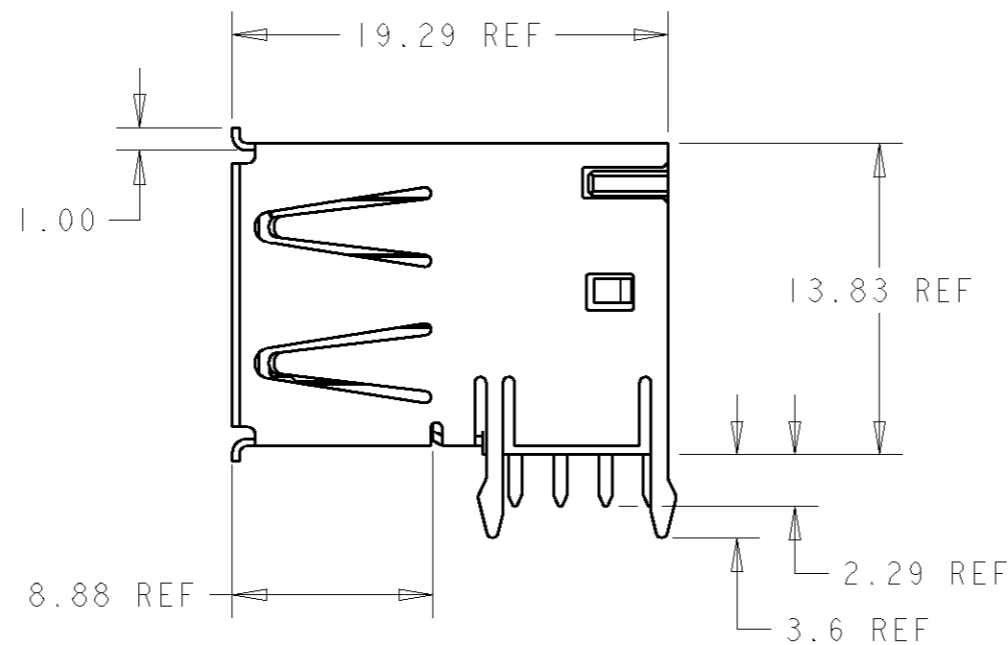
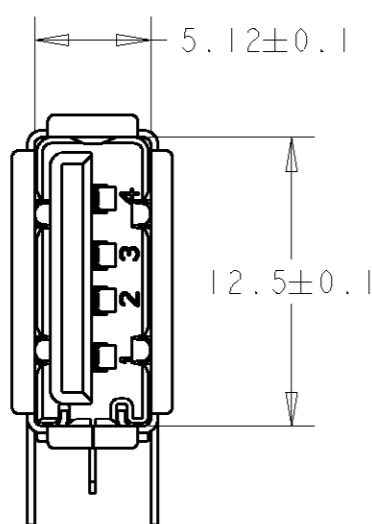
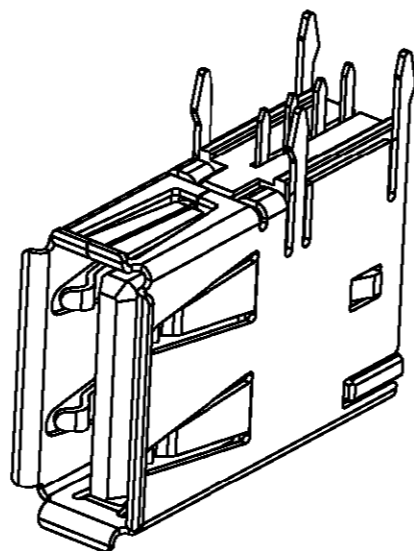
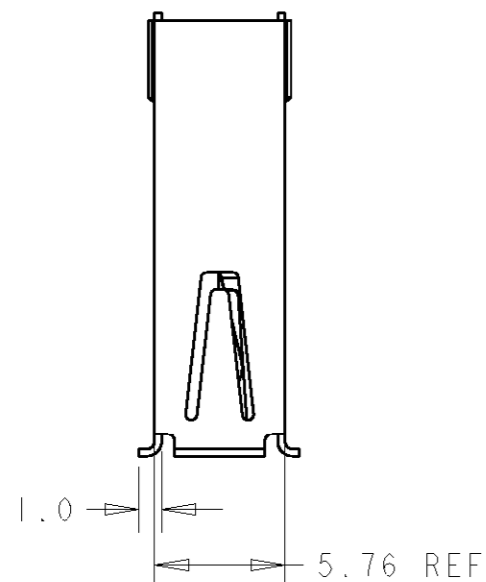
© COPYRIGHT

ALL RIGHTS RESERVED.

LOC GP DIST 00

REVISIONS

P	LTR	DESCRIPTION	DATE	DWN	APVD
		C1 REVISED PER ECO-11-005294	11APR11	RK	HMR



- 1 MATERIAL:  
CONTACTS- PHOSPHOR BRONZE.  
SHELL- COPPER ALLOY.
- 2 PLATING:  
CONTACTS- 0.076µm MINIMUM GOLD OVER 0.76µm MINIMUM PALLADIUM-NICKEL ON MATING AREA, 3.8µm MINIMUM TIN-LEAD ON SOLDER TAILS, BOTH OVER 1.27µm MINIMUM NICKEL.  
SHELL- 5µm MINIMUM BRIGHT TIN.  
CONTACT ALTERNATE PLATING: 0.76µm MINIMUM GOLD ON MATING AREA.
- 3 DATUMS AND BASIC DIMENSIONS ESTABLISHED BY CUSTOMER.
- 4 RECOMMENDED PC BOARD THICKNESS OF 1.57±0.18.
- 5 HOUSING- UL 94V-0 RATED THERMOPLASTIC, NATURAL.
- 6 HOUSING- UL 94V-0 RATED, THERMOPLASTIC, BLACK.

DIMENSIONS: mm		TOLERANCES UNLESS OTHERWISE SPECIFIED:		DWN J.Reitzel 28FEB2003		TE Connectivity	
		0 PLC ±- 1 PLC ±- 2 PLC ±0.13 3 PLC ±- 4 PLC ±- ANGLES ±-		CHR J.GERACE 28FEB2003 APVD M.WALMSLEY 28FEB2003			
MATERIAL SEE TABLE		FINISH -		PRODUCT SPEC -		RECEPTACLE ASSEMBLY. RIGHT ANGLE FLAG, 4 POSITION, THRU-HOLE, USB	
				APPLICATION SPEC -		RESTRICTED TO	
				WEIGHT -		SIZE A3 CAGE CODE 00779 DRAWING NO C-440260	
				CUSTOMER DRAWING		SCALE 5:1 SHEET 1 OF 1 REV C1	

1	5	440260-2
1	6	440260-1
MATERIAL		PART NUMBER