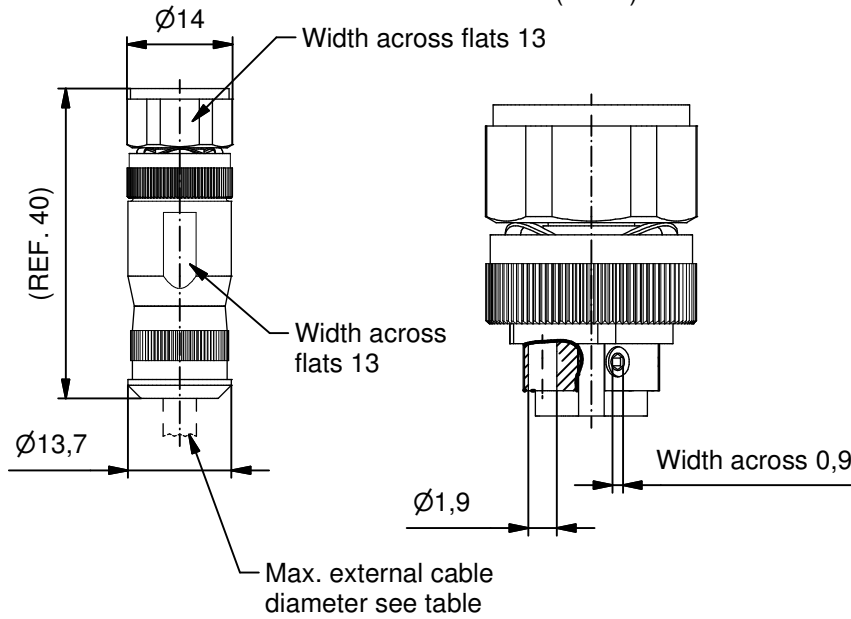




Inner view
(2:1)



Technical specification:

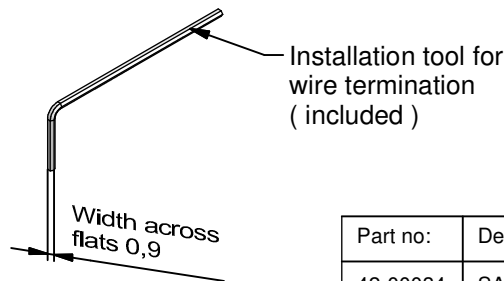
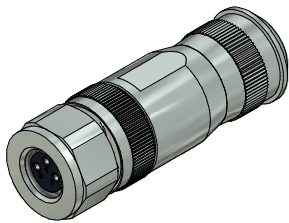
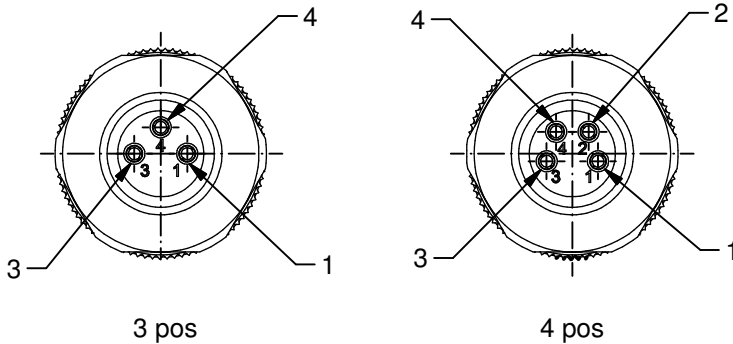
Rated voltage: IEC 61076-2-104	3pos 60 V	4pos 30 V
Current rating: IEC 61076-2-104	4 A at 40°C with 0,5mm ²	
Insulation resistance: IEC 60512	≥ 100 MΩ	
Pollution degree: IEC 60664-1	3/2	
Degree of protection: IEC 60529	IP 67, in mated condition	
Temperature range:	-30°C ... +85°C	
Mating cycles: IEC 60512-9a	≥ 100	
Wire cross section:	AWG 20 / max 0,5 mm ²	

Materials:

Contact:	CuZn
Contact plating:	Au over Ni in mating area
Contact carrier:	PA6, UL 94 V-0
Cable sealing:	NBR
Cable cage:	PA6 GF, UL 94 HB
O-Ring:	Silicone / NBR
Coupling nut:	CuZn, Ni
Housing:	CuZn, Ni

**Installation specification for locking screw
to counter connector:**

Recommended torque:	0,4 Nm
Conec installation tool:	Torque wrench: 36-000200 Insert across flats 13: 36-000220



Part no:	Description:	Pos:	Cable-Ø:
42-00034	SAL-8S-RKC3-S	3	5 - 6,5mm
42-00036	SAL-8S-RKC4-S	4	5 - 6,5mm

DO NOT ALTER CAD DRAWING BY HAND

Index: b 18.07.13 KH Ä4842 Description adapted	
dim. in mm	
	date name
drawn	01.10.12 Gitinow
appd.	05.10.12 Hüther
general tolerance:	0 ± 0,50mm 0,0 ± 0,25mm 0,00 ± 0,10mm
THIS DRAWING MAY NOT BE COPIED OR REPRODUCED IN ANY WAY, AND MAY NOT BE PASSED ON TO A THIRD PARTY WITHOUT WRITTEN PERMISSION. OWNERSHIP AND COPYRIGHT OF CONEC GmbH	

title: Female connector M8x1, field attachable, axial, shielded, with screw termination	
dwg no: 42K1A325	
part no:	see table

