

THIS DRAWING IS UNPUBLISHED. RELEASED FOR PUBLICATION
 © COPYRIGHT BY TYCO ELECTRONICS CORPORATION. ALL RIGHTS RESERVED.

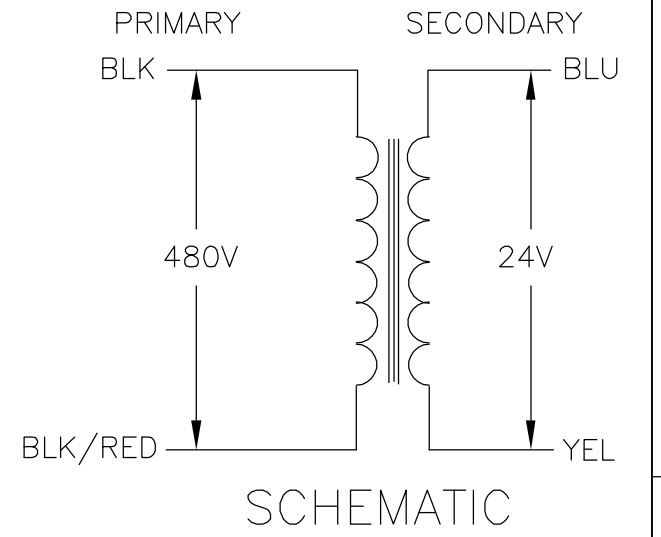
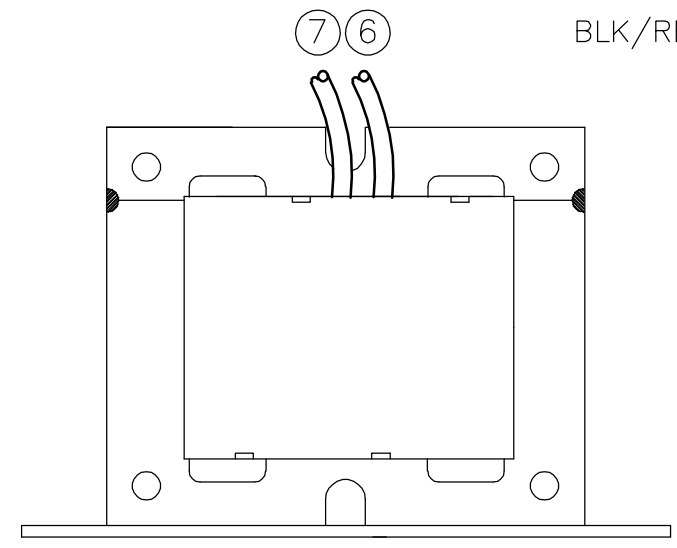
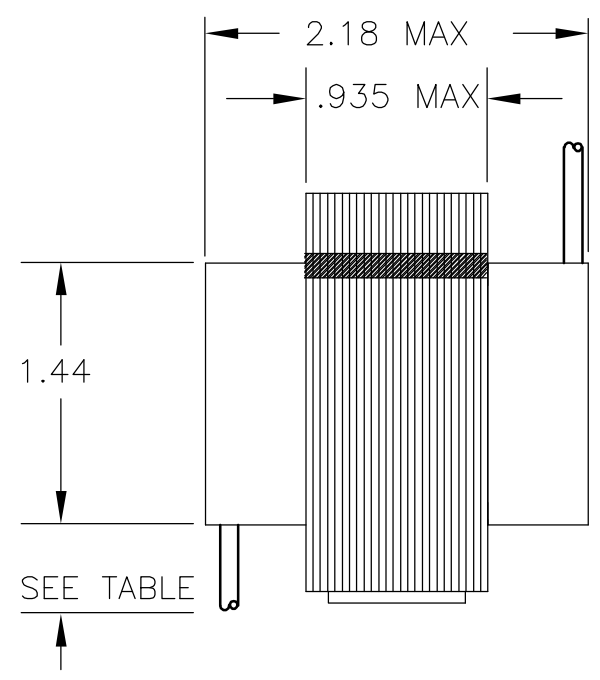
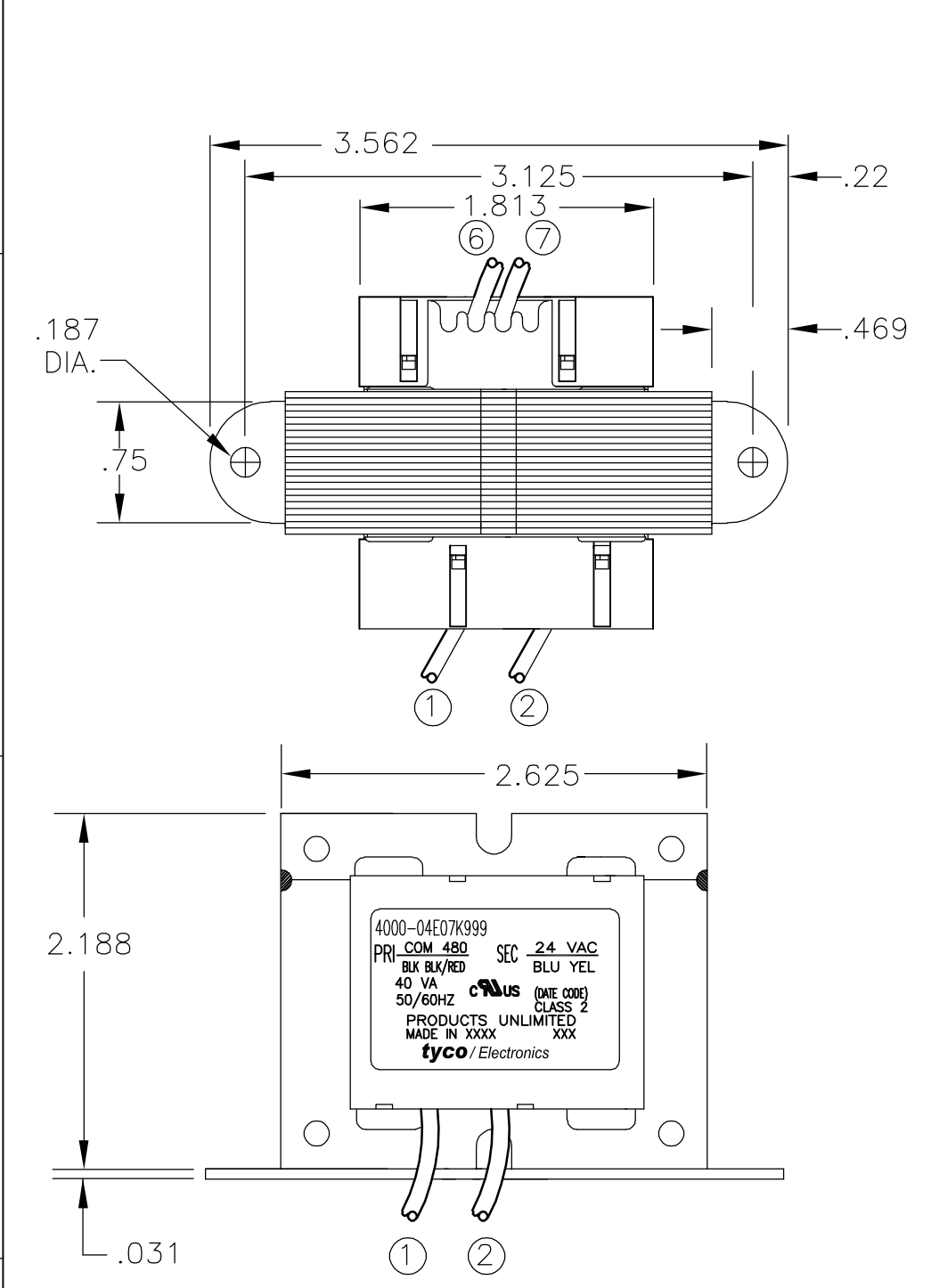
LOC	DIST	REVISIONS					
GZ	00	P	LTR	DESCRIPTION	DATE	DWN	APVD
		B		0611-0155-03	16MAY2003	TCS	KH

PRIMARY			
LEAD NO.	1	2	
VOLTAGE	COM	480	
COLOR	BLK	BLK/RED	
LENGTH	12.0	12.0	
STRIP LENGTH	.50	.50	

SECONDARY				
LEAD NO.	6	7	8	9
VOLTAGE	24	VAC		
COLOR	BLU	YEL		
LENGTH	12.0	12.0		
STRIP LENGTH	.50	.50		

NOTES
 1. DIMENSIONS FOR REFERENCE ONLY.
 2. WINDING PROTECTION - INHERENTLY LIMITING

CERTIFICATION: UL, CUL FILE NO. E87824



4000-04E07K999
 PRI COM 480 SEC 24 VAC
 BLK BLK/RED BLU YEL
 40 VA 50/60HZ CLASS 2
 PRODUCTS UNLIMITED
 MADE IN XXXX
 tyco Electronics

TYCO PART NUMBER
 6-1611454-7

THIS DRAWING IS A CONTROLLED DOCUMENT.		DWN	11FFEB1997	
		CHK	-	
		APVD	-	
		PRODUCT SPEC	-	
		APPLICATION SPEC	-	
		WEIGHT	-	
		CUSTOMER DRAWING	SCALE NTS SHEET 1 OF 1 REV B	

DIMENSIONS:	TOLERANCES UNLESS OTHERWISE SPECIFIED:	Tyco Electronics Corporation Harrisburg, PA 17105-3608		
INCHES		NAME		
	0 PLC ± -	-		
	1 PLC ± -	-		
	2 PLC ± -	-		
	3 PLC ± -	-		
	4 PLC ± -	-		
	ANGLES ± -	-		
MATERIAL	FINISH	SIZE	CAGE CODE	DRAWING NO
-	-	A3	00779	4000-04E07K999
		RESTRICTED TO	-	