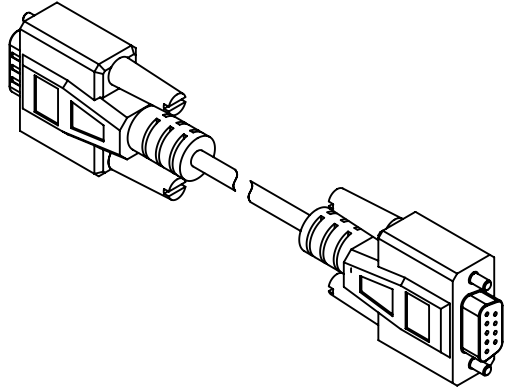
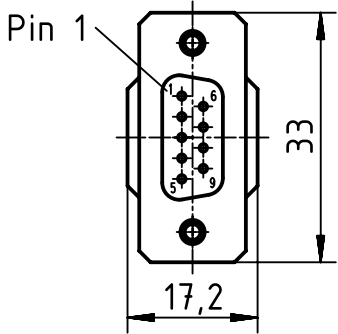
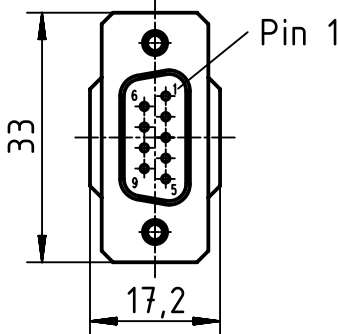


X DB9 M 1:1 P1  
 Y DB9 F 1:1 P2



circuit diagram

P1	P2
1	1
2	2
3	3
4	4
5	5
6	6
7	7
8	8
9	9
SHIELD	SHIELD

	All rights reserved Department EL PD - DE	All Dimensions in mm Original Size DIN A4		Scale 1:1	Free size tol.	Ref. Sub.
		HARTING Electric GmbH & Co. KG D-32339 Espelkamp	Created by FINKEV	Inspected by BERGHORN	Standardisation RUETERA	Date 2014-12-09
Title Cable SUB-D9,f-m; 5 m						Doc-Key / ECM-Nr. 100093423/UGD/003/A 500000082786
Type TB				Number 39 50 903 0021		Rev. A
						Page 1/1