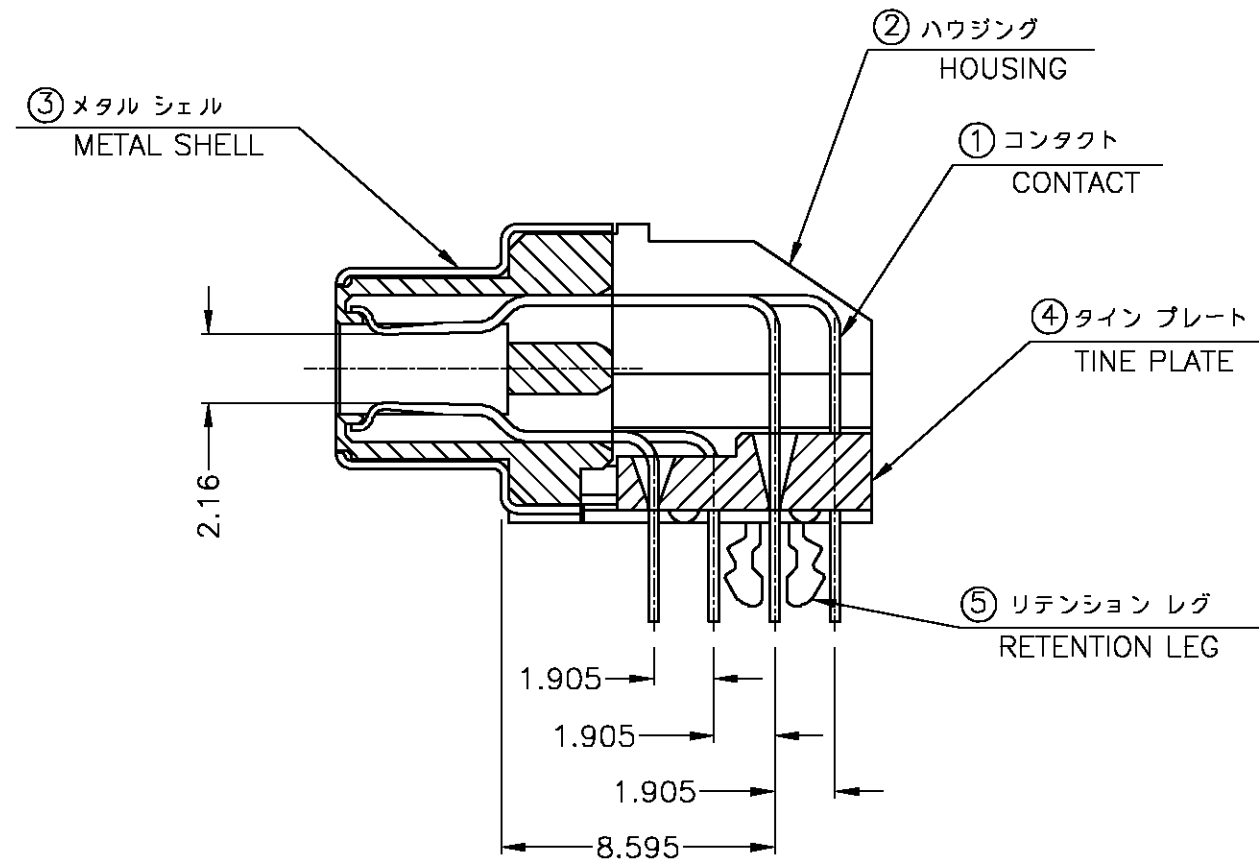
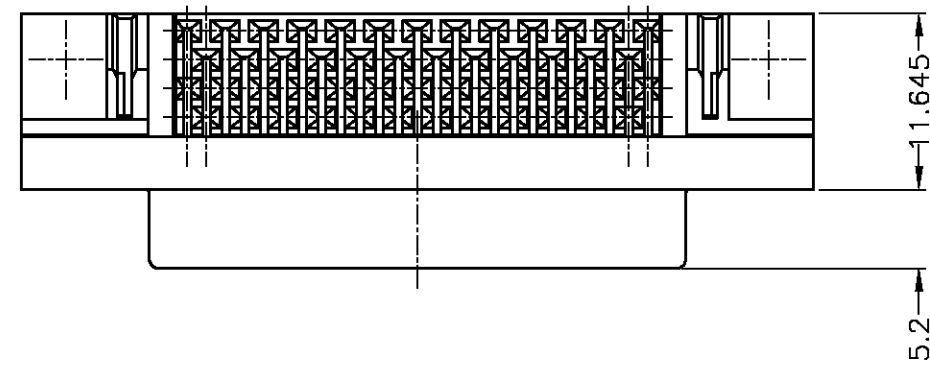


THIS DRAWING IS UNPUBLISHED. RELEASED FOR PUBLICATION 2000.  
 © COPYRIGHT 2003 BY TYCO ELECTRONICS CORPORATION. ALL RIGHTS RESERVED.

REVISED		DATE	DWN	APVD
P	LTR	DESCRIPTION		
B		REVISED (FJB0-0054-04)	20JUN04	T.K Y.Y

-7 ; AS SHOWN



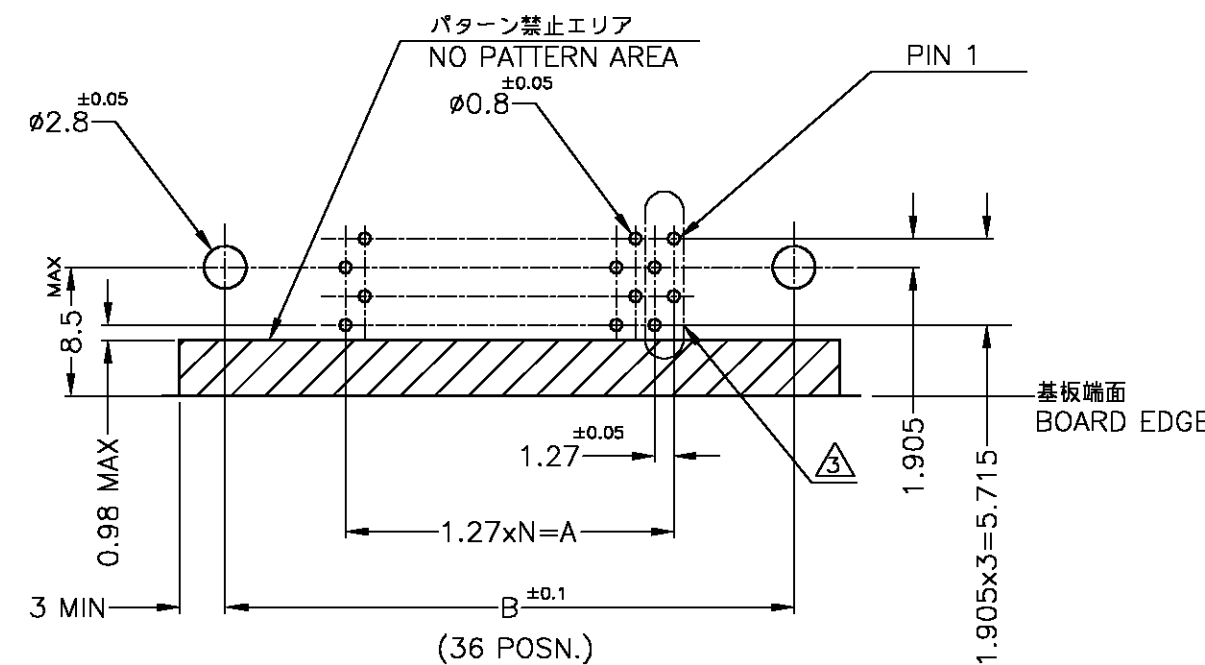
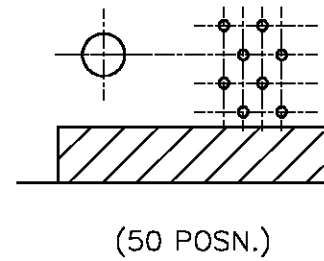
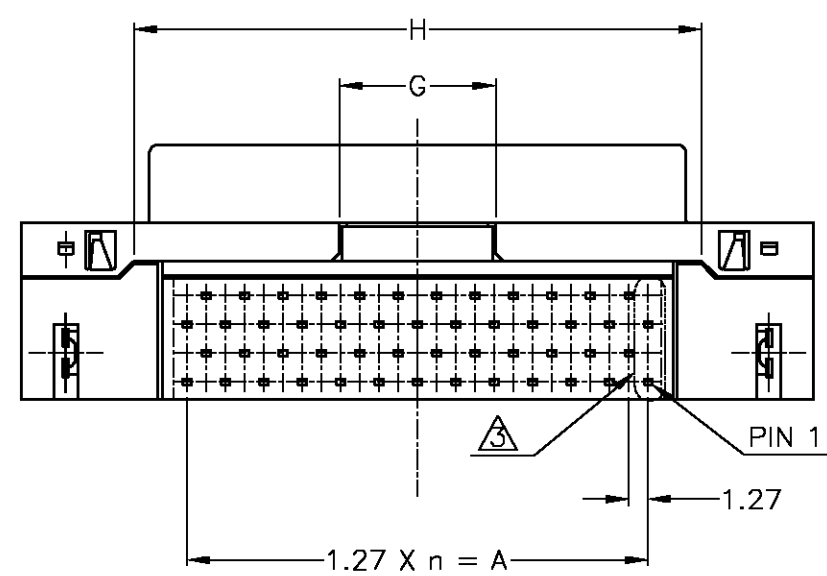
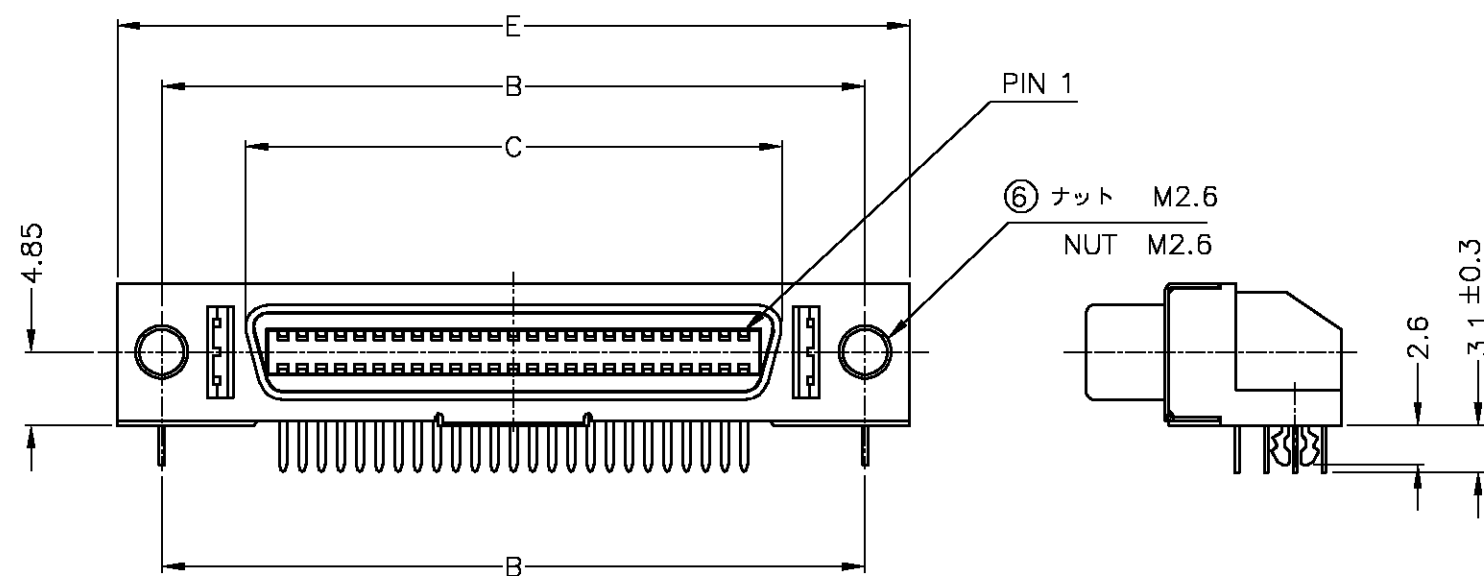
ITEM	材料 (MATERIAL)	仕上 (FINISH)
①	銅合金 COPPER ALLOY	全面ニッケル下地めっき 接触部: 金めっき (0.1μm以上) タイム部: すずめっき NICKEL UNDER PLATE ALL OVER CONTACT AREA ; Au(0.1μm) SOLDER TIME AREA ; TIN PLATE
② ④	PBT	色 : 黒 COLOR : BLACK
③	鋼 t=0.25 STEEL t=0.25	鋼下地めっき上にニッケルめっき NICKEL PLATE OVER COPPER UNDERPLATE
⑤	銅合金 COPPER ALLOY	全面ニッケル下地上に全面すずめっき NICKEL UNDER PLATE ALL OVER, TIN PLATING ALL OVER.
⑥	鋼 STEEL	全面銅下地全面ニッケルめっき Cu UNDER PLATE ALL OVER, NICKEL PLATING ALL OVER

注記

- 1 適用ねじ : M2.6なべ小ねじ
- 2 推奨基板厚 : 1.6mm (参考)
- 3 ポストは本配列より始まる。

NOTE

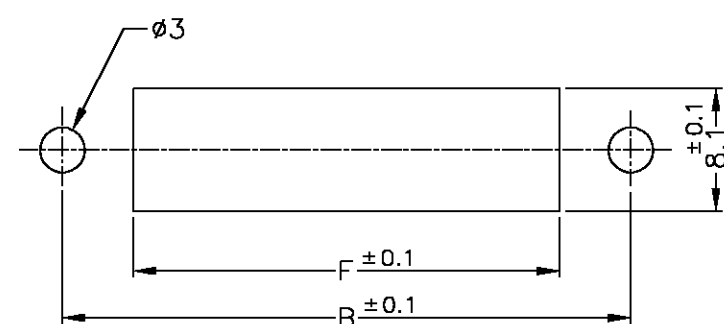
- 1 RECOMMENDED SCREW SIZE ; M2.6 PANHEAD SCREW
- 2 RECOMMENDED P.C BOARD THICKNESS ; 1.6mm (REF)
- 3 POST PATTERN AS SHOWN ON THIS END FOR ALL POSITION.



推奨基板穴あけ寸法  
RECOMMENDED PC BOARD  
MOUNTING DIMENSION

コネクタ取付面  
COMPONENT SIDE

鉛フリー  
LEAD FREE



パネルカット寸法  
REFERENCE PANEL CUTOUT  
(厚さ2mm最大)  
THK,2mm MAX

7.6	37.5	10.3	37.11	52.40	35.48	46.50	30.48	24	50	316998-7
6.8	28.61	8.3	28.21	43.51	26.59	37.61	21.59	17	36	316998-5
Weight(g)	H	G	F	E	C	B	A	N	POSITION	PART NO.

THIS DRAWING IS A CONTROLLED DOCUMENT.		DWN T.KAWAMAE 20JUN03	Tyco Electronics AMP K.K. Kawasaki, Japan	
DIMENSIONS: MM		CHK H.SHIRAI 20JUN03	NAME RECEPTACLE HDR ASS'Y(3.1mm) CHAMP.050 SERIES(II) FMS-TYPE	
TOLERANCES UNLESS OTHERWISE SPECIFIED: 1 PLC ± 0.2 2 PLC ± 0.25 3 PLC ± 0.3 ANGLES ± 3°		APVD Y.YAMAMOTO 20JUN03	PRODUCT SPEC 108-5288 APPLICATION SPEC	
MATERIAL SEE TABLE	FINISH SEE TABLE	WEIGHT SEE TABLE	SIZE A2	CAGE CODE 00779
CUSTOMER DRAWING		SCALE 2:1	DRAWING NO C=316998	RESTRICTED TO SHEET 1 OF 1 REV B