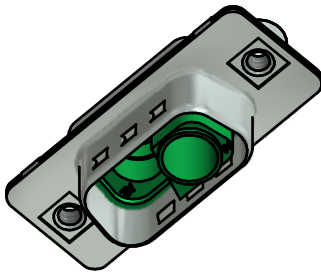
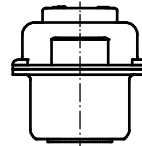
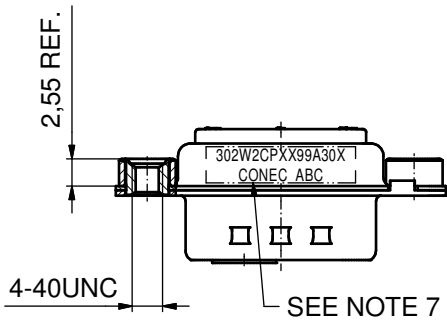
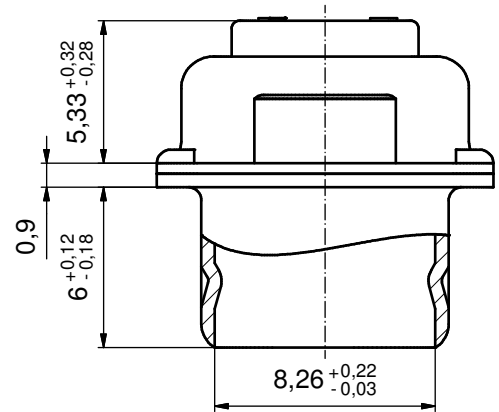
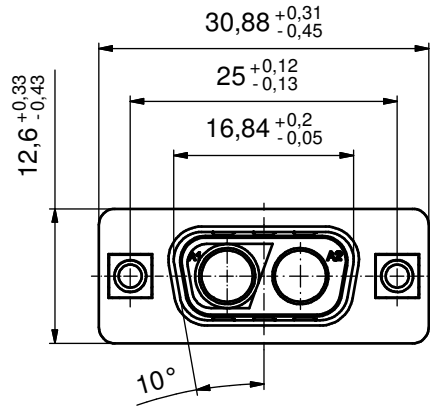


(5:1)



NOTES:

1. METAL SHELLS: STEEL; min. 315µm TIN over 40-80µm NICKEL
2. INSULATOR: PBT GF UL 94 V-0; GREEN
3. NO CONTACTS ON POS. A1 + A2
4. THREADED INSERTS: COPPER ALLOY; min. 200µm TIN over 80µm NICKEL
5. COLLARS: COPPER ALLOY; min. 200µm TIN over 80µm NICKEL
6. MAXIMUM TORQUE VALUE FOR THREAD: 6 in.LB
7. CONNECTOR IS PART MARKED: 302W2CPXX99A30X CONEC ABC

Directive 2002/95/EC RoHS compliant

THIS DRAWING MAY NOT BE COPIED OR REPRODUCED IN ANY WAY, AND MAY NOT BE PASSED ON TO A THIRD PARTY WITHOUT WRITTEN PERMISSION. OWNERSHIP AND COPYRIGHT OF CONEC GmbH DO NOT ALTER CAD DRAWING BY HAND				tolerance		scale: 2:1 (5:1)
				dim. in mm		material: SEE NOTES
				date	name	title:
				drawn 02.03.11	Henneboel	D-SUB COMBINATON MALE 2W2CP with threaded insert
				appd. 02.03.11	Koch	
				norm		
				d-old		dwg no: Inventor 10
a	Origin				13K1A3606	sh: 1
rev.	description	date			name	part no: 302W2CPXX99A30X