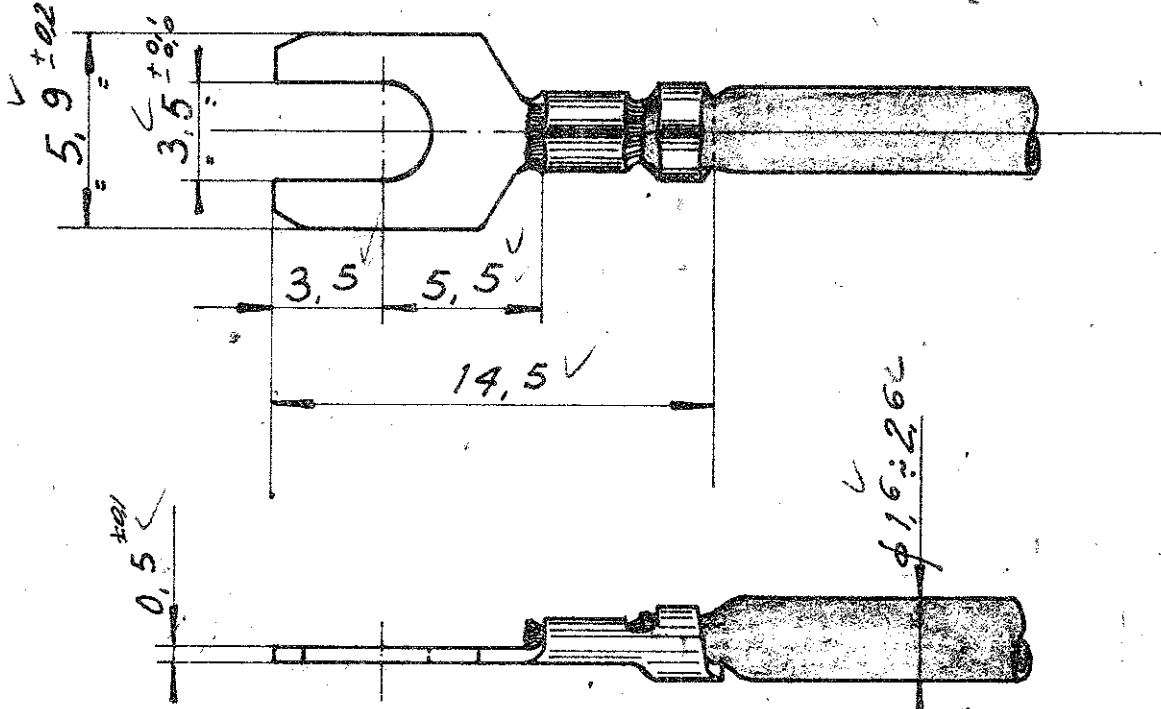


NUMBER
C-280041



DIMENSIONS IN INCHES, DO NOT SCALE PRINT

280041-2	OTTONE STAGNATO
----------	-----------------

© 1968 BY AMP INCORPORATED ALL RIGHTS RESERVED. AMP PRODUCTS COVERED BY PATENTS AND/OR PATENTS PENDING.

CUSTOMER COPY
REFERENCE ONLY

MATERIAL AND FINISH
VEDI TABELLA



AMP - ITALIA
CORSO PEGHIERA 298/S
TORINO - ITALIA

F	Revised ET00-0067-01	G.S	09/03/01
B	(MANGLIATO P/14 - 1) RIVISTO PER ECN I-2857	VP	27-3-91

WIRE RANGE INSULATION
0.3-08^{mm}/m² *W*

CLASS	A.M.
TYPE	SPADE TONGUE

LTR	REVISION RECORD	DR	CHK	DATE
DR	VOLPATO R. 10.12.68	DE		
CHK	09.	APP		

TOLERANCE EXCEPT AS NOTED	SCALE	LOC	A	NO	C-280041	REV	F
± 0.4	1:1						
NAME TERMINALE A FORCELLA - (CON SUPPORTO ISOLANTE)							

PRINT DIST