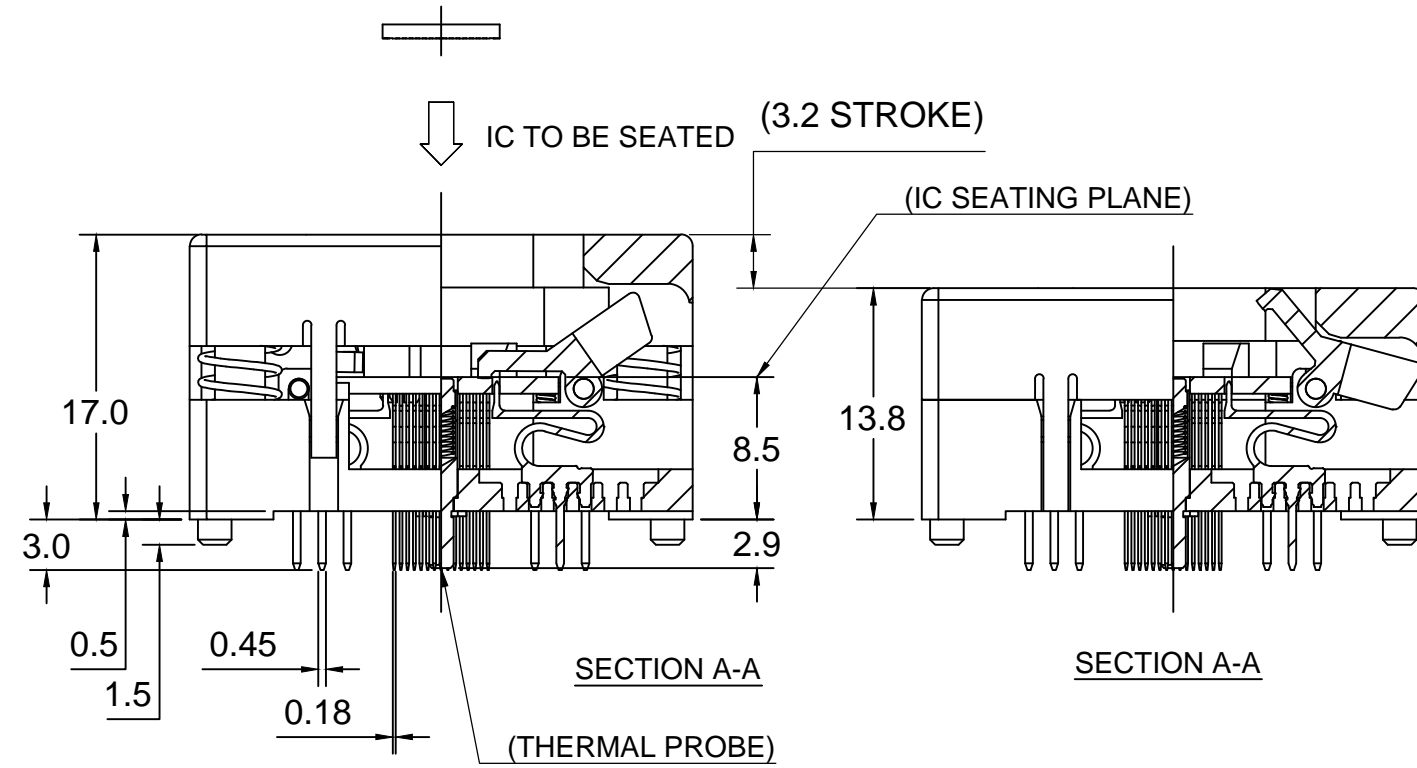
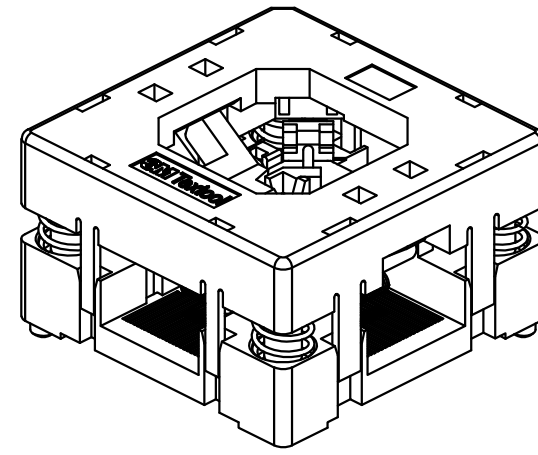
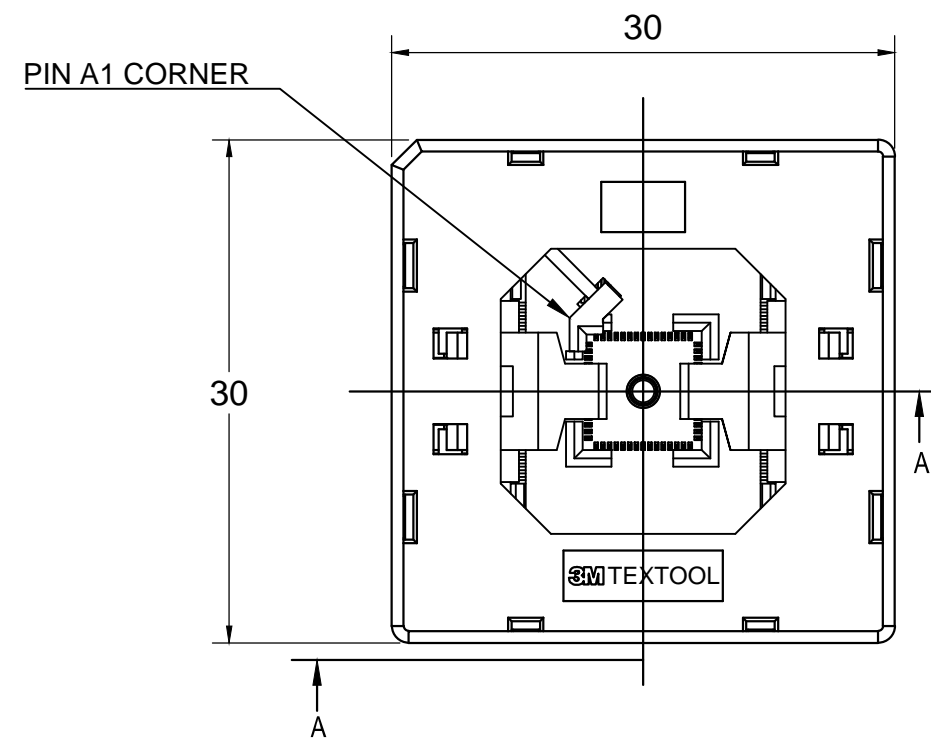


3M™ TEXTTOOL™ OPEN-TOP SOCKETS FOR QFN APPLICATIONS



NOTES:

1. MATERIALS:

| | | |
|--------------|---------------|---------------|
| SPRINGS | SS | PLATING : Au |
| CONTACTS | Be Cu | COLOR : BLACK |
| IC GUIDES | PES | COLOR : BLACK |
| PRESSURE PAD | PES | COLOR : BLACK |
| COVER | PPS or equiv. | COLOR : BLACK |
| BASE | PES | COLOR : BLACK |

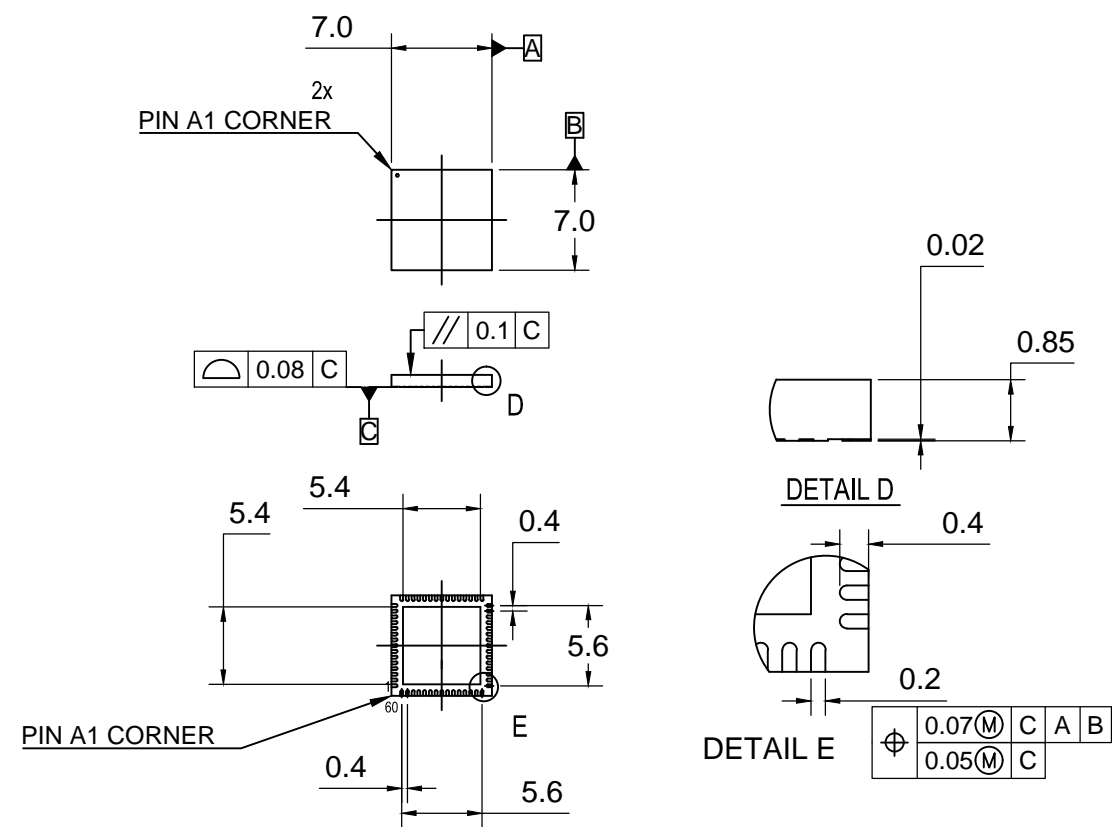
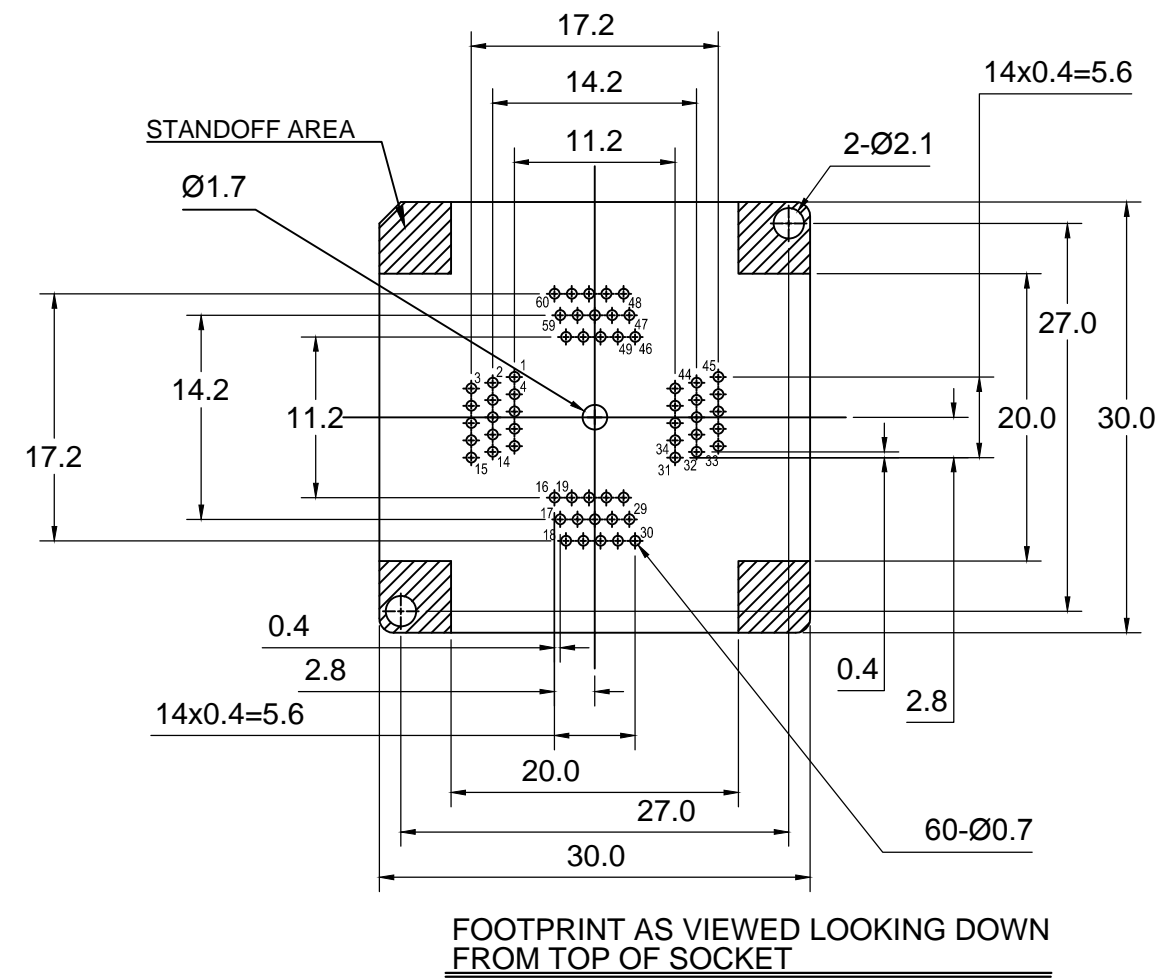
2. SEE THE REGULATORY INFORMATION APPENDIX (RIA) IN THE "RoHS COMPLIANCE" SECTION WWW.3MCONNECTOR.COM FOR COMPLIANCE INFORMATION (RIA E1 & C1 APPLY).

3. FOR PRODUCT SPECIFICATIONS AND WARRANTY INFORMATION SEE:

WWW.3MCONNECTOR.COM PN 260-4204-01

| | | | | | | | | |
|---|--|----------------------------|--|---|-------|--|-------|------------|
| DESIGN REFERENCE | | NEXT ASSEMBLY | | A | 37213 | INITIAL RELEASE | ARM | |
| DISTRIBUTION CODES | | TOLERANCES EXCEPT AS NOTED | | REV | ECO | ISSUE DATE AND DESCRIPTION | DRFT | CHKD |
| DIVISION | | INCHES | | DRFT | | DATE | MFG | DATE |
| DO NOT SCALE DRAWING | | MILLIMETERS | | CHKD | | DATE | APPVL | DATE |
| SCALE 5/1 | | THIRD ANGLE PROJECTION | | 3M Center St. Paul, MN 55144 © 3M COPYRIGHT 2012 This document is the copyrighted property of the 3M Company and may not be reproduced without 3M written permission or used for other than 3M authorized purposes. | | | | |
| INTERPRET PER ASME Y14.5 - 1994 | | MAX SURFACE ROUGHNESS | | TITLE QFN TEST SOCKET, 0.4mm, 60 pos, ODD ROW, 7X7 PKG, WITH TP | | | | |
| MAX SURFACE ROUGHNESS 125 <input type="checkbox"/> ALL SURFACES <input checked="" type="checkbox"/> MARKED ONLY | | ANGLES ± 1° | | CAGE NUMBER C | | DRAWING NO. 78-5100-2459-5 | | REV. A |
| | | | | MODEL TEXTTOOL - QFN | | DET. LISTS <input type="checkbox"/> YES <input checked="" type="checkbox"/> NO | | SHT 1 OF 2 |

3M™ TEXTTOOL™ OPEN-TOP SOCKETS FOR QFN APPLICATIONS



| | | | | | | |
|---|------------------------------------|--|-----|--|-------------------------------|--------------------------------------|
| DESIGN REFERENCE | NEXT ASSEMBLY | REV | ECO | ISSUE DATE AND DESCRIPTION | DRFT | CHKD |
| DISTRIBUTION CODES | | DRFT | | DATE | MFG | DATE |
| | | CHKD | | DATE | APPVL | DATE |
| DIVISION | DIVISION CODE | 3M 3M Center St. Paul, MN 55144 | | © 3M COPYRIGHT 2012 This document is the copyrighted property of the 3M Company and may not be reproduced without 3M written permission or used for other than 3M authorized purposes. | | |
| DO NOT SCALE DRAWING | SCALE 5 1 | TOLERANCES EXCEPT AS NOTED | | TITLE QFN TEST SOCKET, 0.4mm, 60 pos, ODD ROW, 7X7 PKG, WITH TP | | |
| THIRD ANGLE PROJECTION | INTERPRET PER ASME Y14.5 - 1994 | INCHES .0 ± .1 .00 ± .02 .000 ± .005 .0000 ± .0002 | | MILLIMETERS 0 ± .1 .0 ± .02 .00 ± .005 .000 ± .0002 | | |
| MAX SURFACE ROUGHNESS 125 <input checked="" type="checkbox"/> ALL SURFACES <input checked="" type="checkbox"/> MARKED ONLY | | ANGLES ± 1° | | CAGE NUMBER C | SIZE 78-5100-2459-5 | DRAWING NO. 78-5100-2459-5 |
| | | MODEL TEXTTOOL - QFN | | DET. LISTS <input type="checkbox"/> YES <input checked="" type="checkbox"/> NO | SHT 2 OF 2 | REV. A |