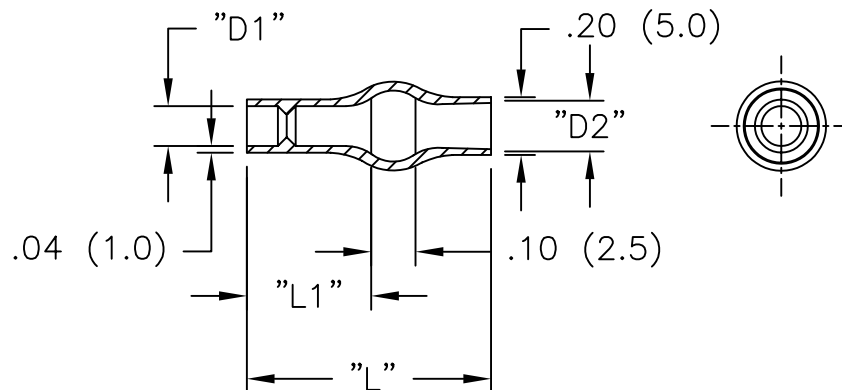


| PART # | WIRE O.D. RANGE | WIRE Ga. | "D1" | "D2" | "L1" ±.04 (±1.0) | "L" ±.04 (±1.0) |
|--------|-----------------|----------|-----------|-----------|---------------------|--------------------|
| 224222 | .058-.080 | 24-20 | .09 (2.2) | .18 (4.5) | .28 (7.0) | .55 (14.0) |
| 224225 | .058-.091 | 22-18 | .10 (2.5) | .16 (4.0) | .24 (6.0) | .51 (13.0) |
| 224228 | .058-.091 | 22-18 | .11 (2.8) | .18 (4.5) | .28 (7.0) | .51 (13.0) |
| 224230 | .068-.113 | 20-18 | .12 (3.0) | .16 (4.0) | .24 (6.0) | .51 (13.0) |
| 224232 | .071-.126 | 18-16 | .13 (3.2) | .18 (4.5) | .28 (7.0) | .55 (14.0) |
| 224235 | .071-.140 | 18-14 | .14 (3.5) | | .24 (6.0) | .51 (13.0) |
| 224240 | .091-.140 | 16-14 | .16 (4.0) | | | |



NOTES:

1. MATERIAL: SOFT PVC (RMS-55).
2. COLOR: TRANSPARENT BLUE.

| A | | SM 03.21.02 | | TITLE: INSULATING SLEEVE FOR PIN PLUG | | | | DWG IN IN (MM) | | FINAL | |
|----------------------------------|------|-------------|---|---------------------------------------|--------------|------|--|----------------|------------|-------|--|
| CHANGED FILE NO. AND TITLE BLOCK | ENGR | DATE | TOLERANCES UNLESS NOTED .XX=±.010 .XXX=±.005 FRAC=±1/64 ANG=±1' | FILE # 2242XX | DWN: D.D | APP: | PART # | | PRINT TYPE | | |
| DESCRIPTION | | | MAT'L: SEE NOTES | RE: RICHCO, INC. | DT: 05-21-96 | DT: | SEE TABLE | | CA | | |
| | | | | | | | RICHCO INC. PO BOX 804238, CHICAGO, 60680 (773) 539-4060 | | | | |