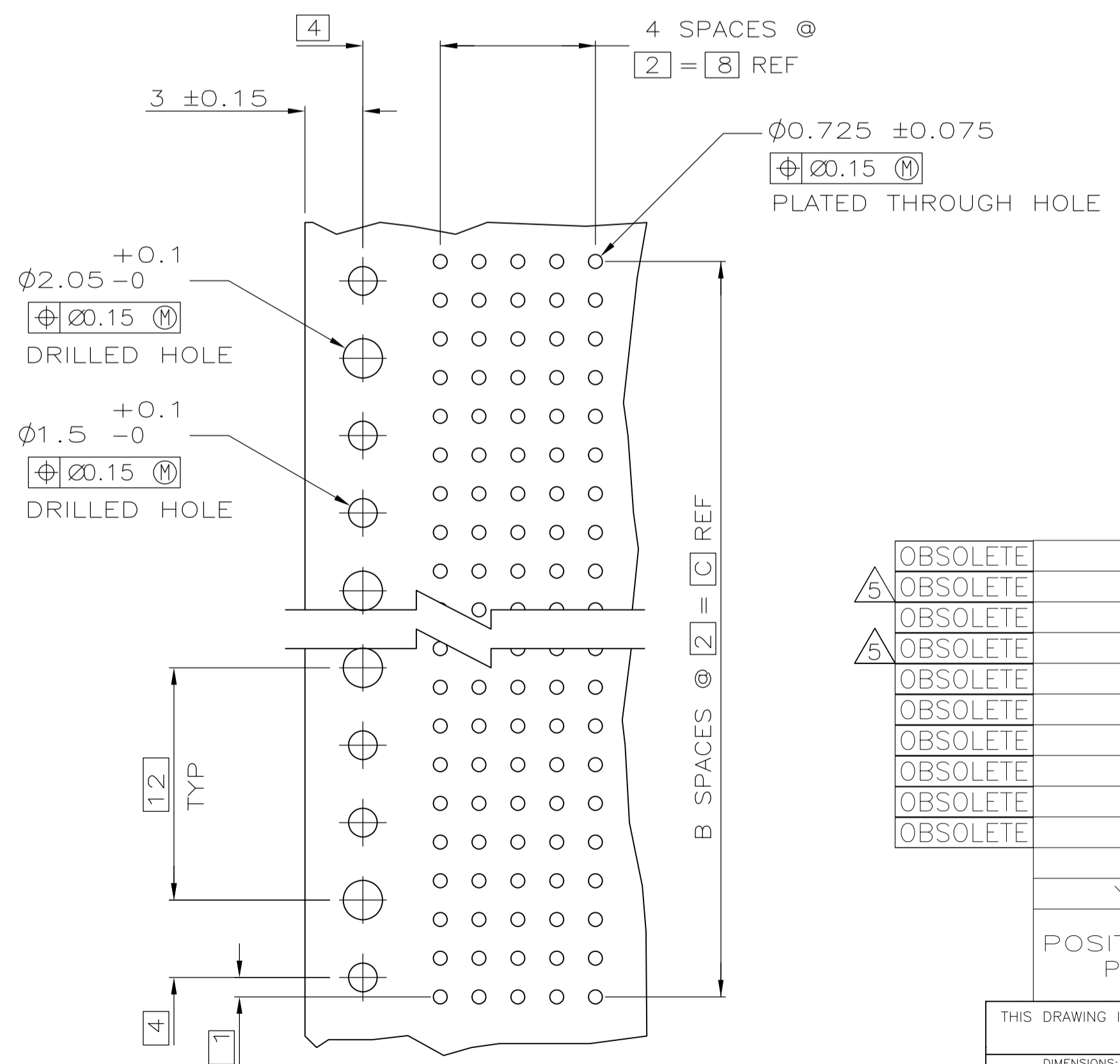
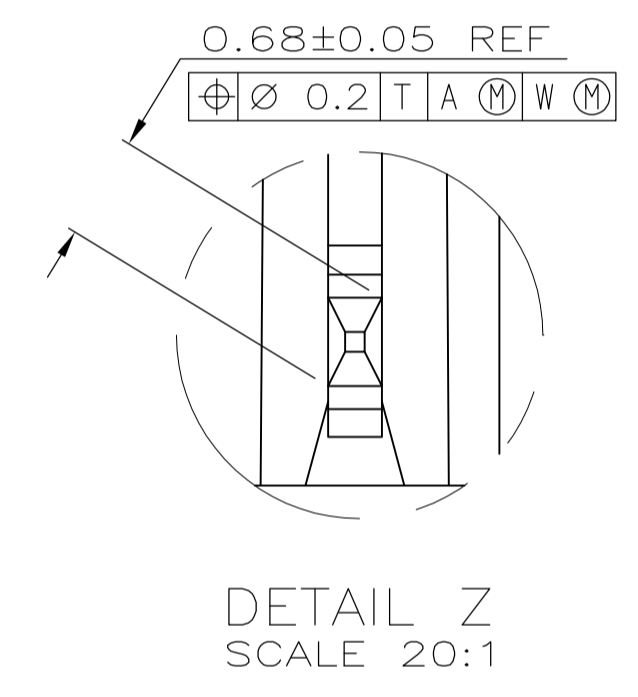
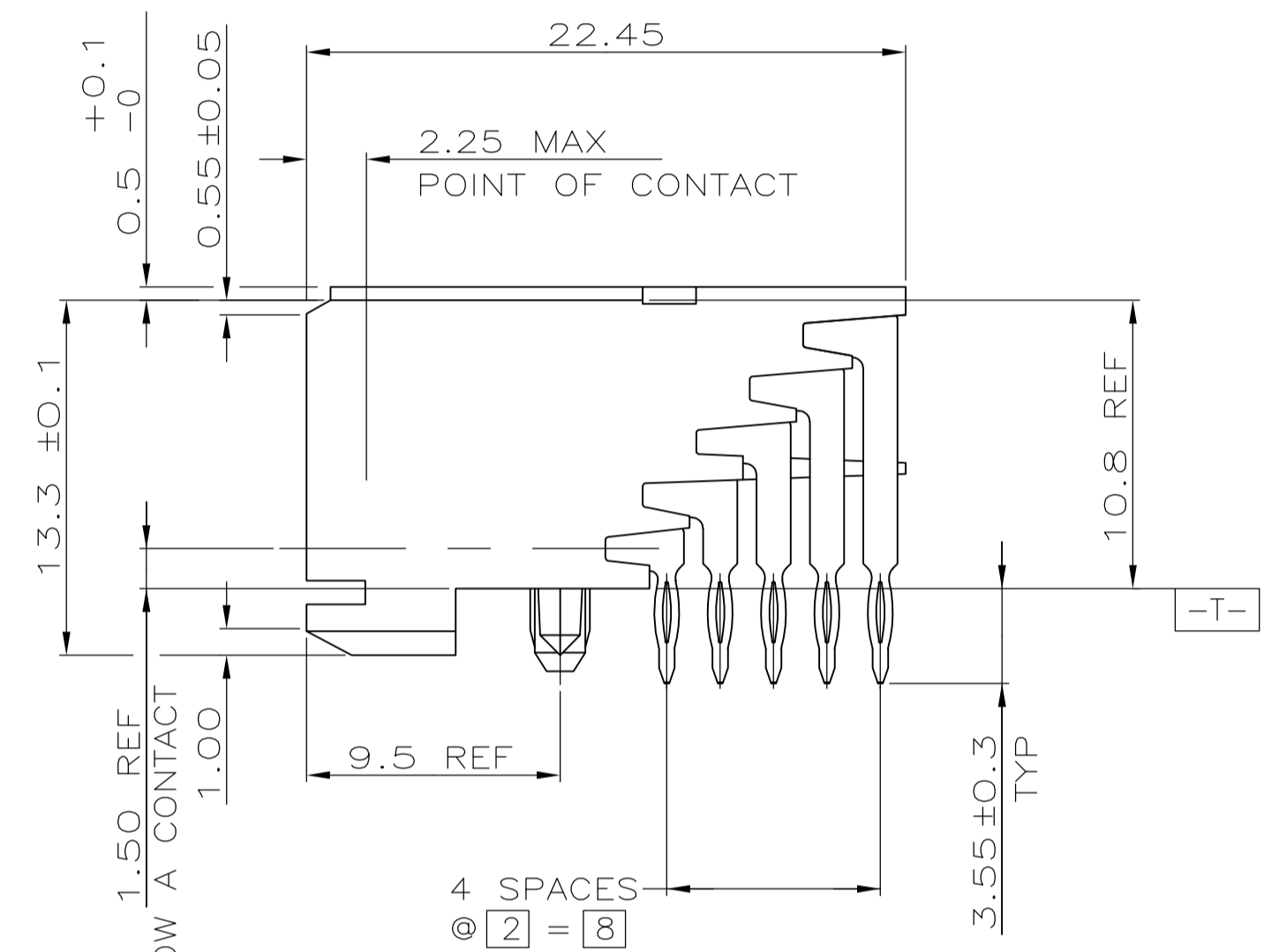


- ① HOUSING MATERIAL: LIQUID CRYSTAL POLYMER
COLOR: NATURAL.
- ② CONTACT MATERIAL: PHOSPHOR-BRONZE.
- ③ CONTACT FINISH:
UNDERPLATE (ENTIRE CONTACT):
0.00127 MIN NICKEL.
ON MATING SURFACES:
CONFORMS TO ALL TESTING SPECIFIED FOR TELCORDIA
UNCONTROLLED ENVIRONMENT.
ON LEADS
0.0006 MIN TIN-LEAD OVER UNDERPLATE.
LUBRICATION (ENTIRE CONTACT):
SURFACE CONDITIONER PER AMP SPEC 112-1002 AFTER PLATING.
- ④ PART MARKING LOCATED APPROXIMATELY AS SHOWN.
- ⑤ OBSOLETE PARTS: OBSOLETE CIS STREAMLINING PER D.RENAUD/D.SINISI



RECOMMENDED CIRCUIT PATTERN
PER IPC-D300 TYPE II, CLASS C
(COMPONENT SIDE)

	OBSOLETE	NO	214	107	215.88	③	540	1-223008-2
⑤	OBSOLETE	NO	130	65	131.88	③	330	1-223008-4
	OBSOLETE	NO	118	59	119.88	③	300	1-223008-0
⑤	OBSOLETE	NO	106	53	107.88	③	270	223008-9
	OBSOLETE	NO	94	47	95.88	③	240	223008-8
	OBSOLETE	NO	82	41	83.88	③	210	223008-7
	OBSOLETE	NO	70	35	71.88	③	180	223008-6
	OBSOLETE	NO	58	29	59.88	③	150	223008-5
	OBSOLETE	NO	46	23	47.88	③	120	223008-4
	OBSOLETE	NO	34	17	35.88	③	90	223008-3
	OBSOLETE	NO	22	11	23.88	③	60	223008-2
	YES		10	5	11.88	③	30	223008-1
	POSITIONING PEGS		C	B	A	FINISH	NO OF SIGNAL POSN	PART NUMBER

THIS DRAWING IS A CONTROLLED DOCUMENT.

DIMENSIONS: mm	TOLERANCES UNLESS OTHERWISE SPECIFIED:	DIN R BUCHHEISTER 08/FEB/96	CHK D BAECHTLE 08/FEB/96	APVD D SINISI 08/FEB/96	NAME	
0 PLC ± -	1 PLC ± -	2 PLC ± 0.13	3 PLC ± -	4 PLC ± -	ANGLES ± -	
MATERIAL	FINISH	WEIGHT	SIZE	CAGE CODE	DRAWING NO	RESTRICTED TO
① ②	③		A1	00779	C=223008	
CUSTOMER DRAWING		SCALE	4:1	SHEET	1 of 1	REV

STE TE Connectivity

ASSEMBLY, RECEPTACLE, SIGNAL, RIGHT ANGLE, Z-PACK 2mm FB, 5 ROW, PRESS FIT LEAD