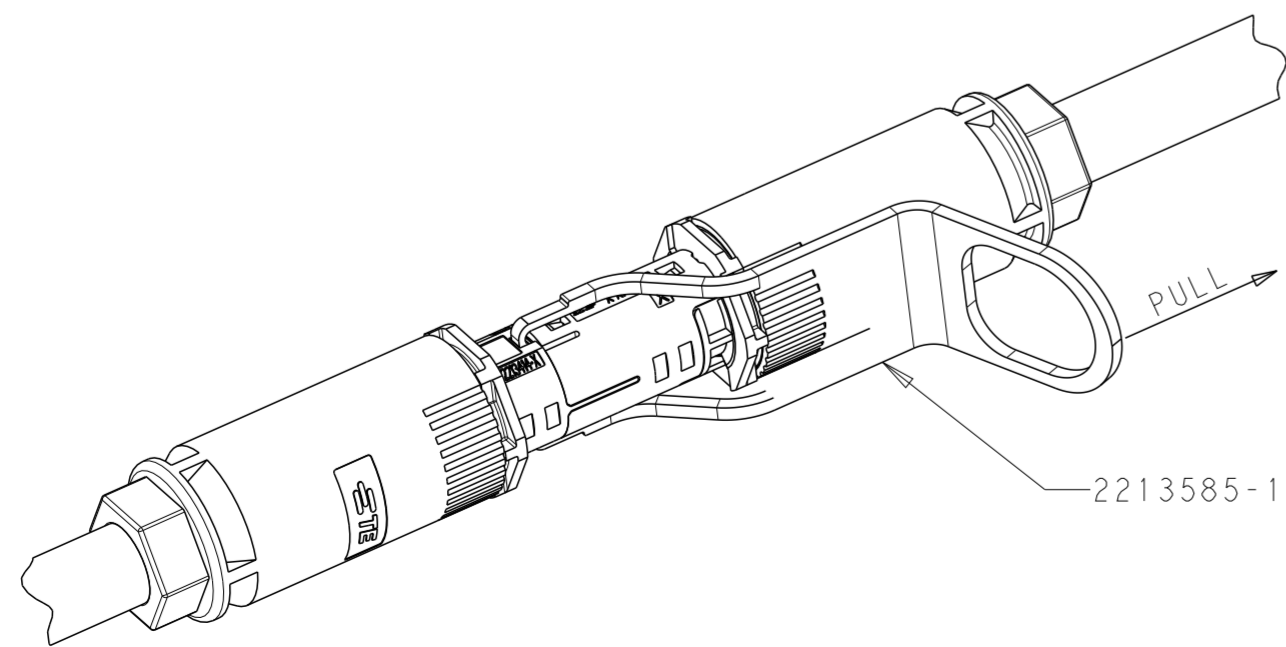
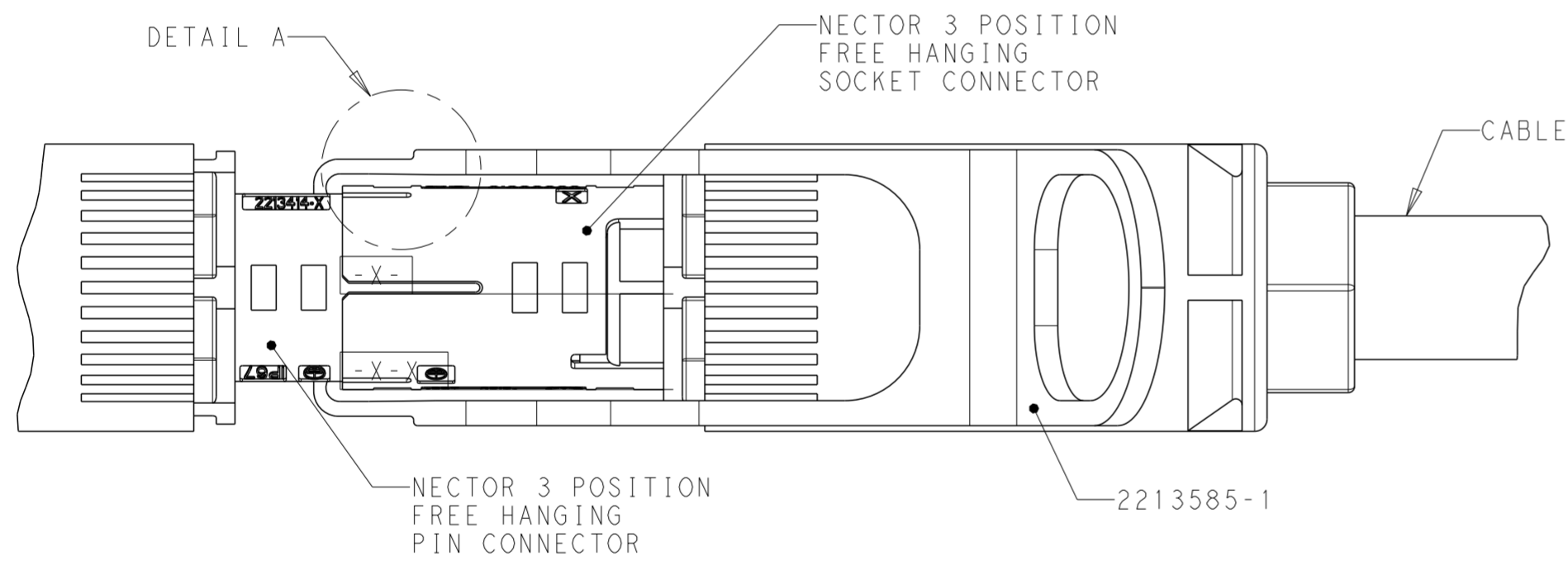
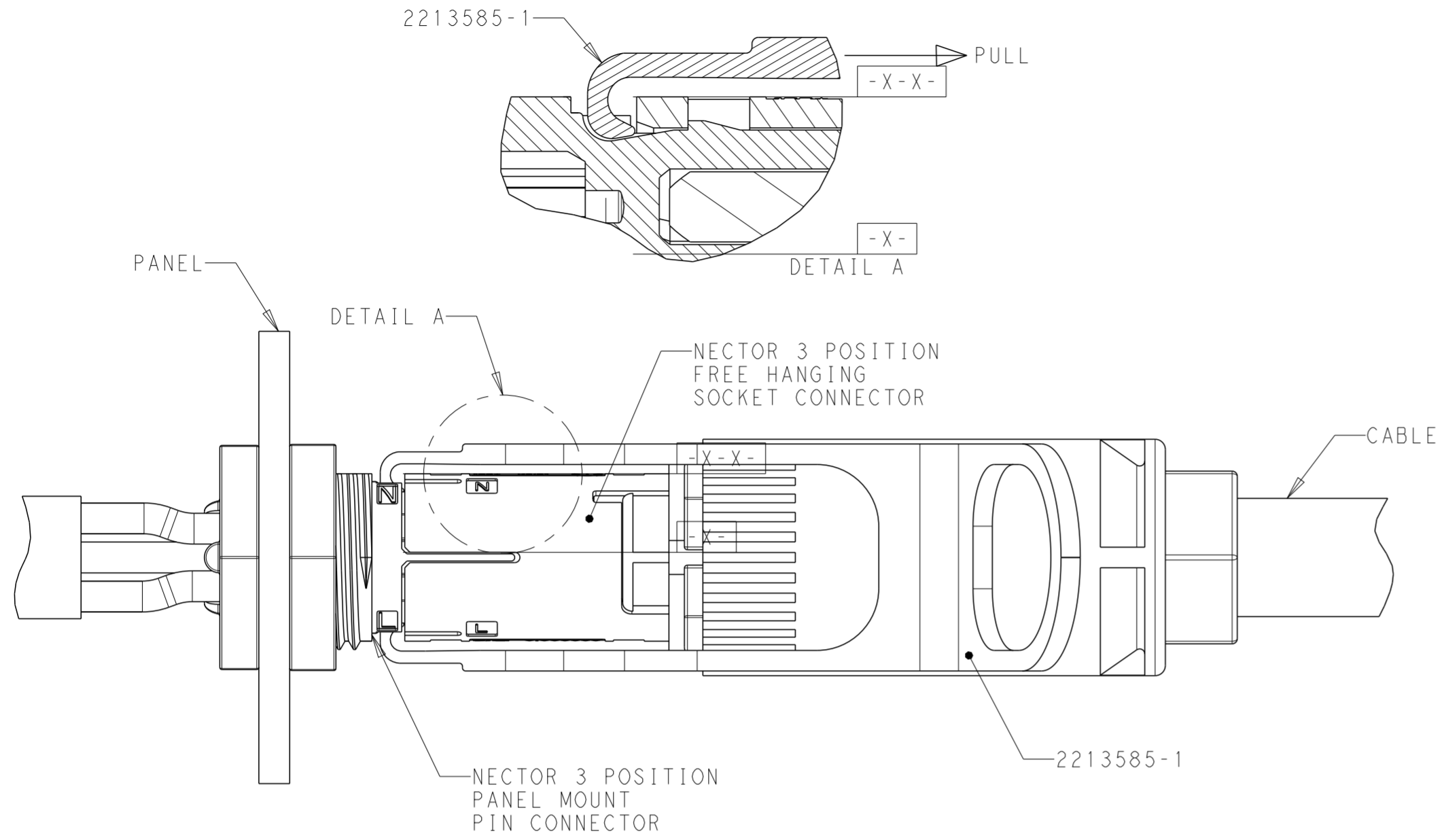


THIS DRAWING IS UNPUBLISHED. RELEASED FOR PUBLICATION 20
 © COPYRIGHT 20 BY - ALL RIGHTS RESERVED.

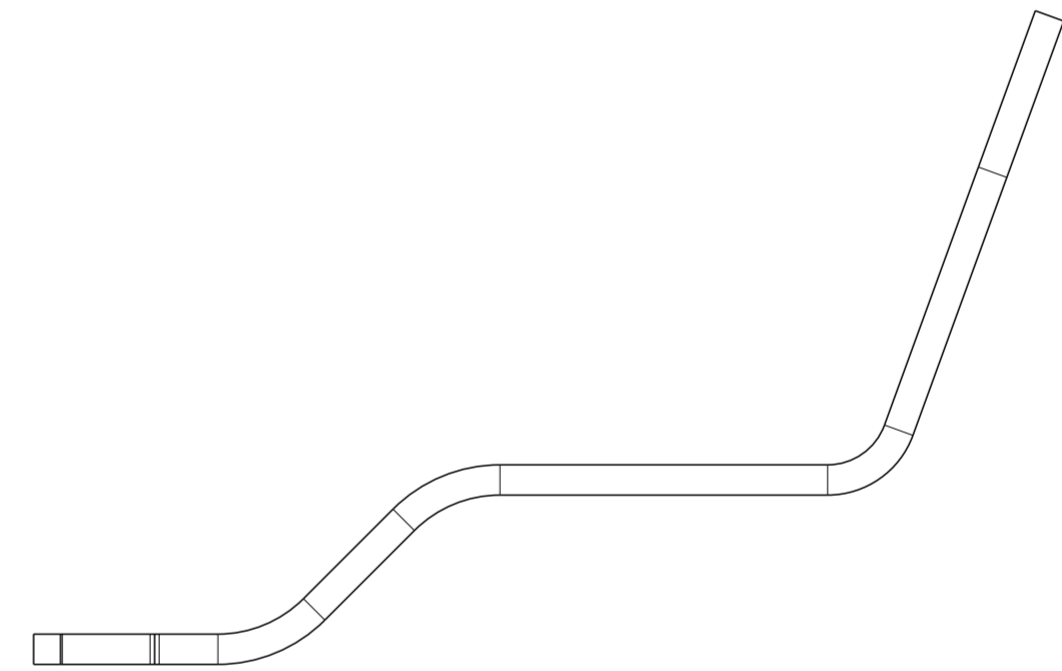
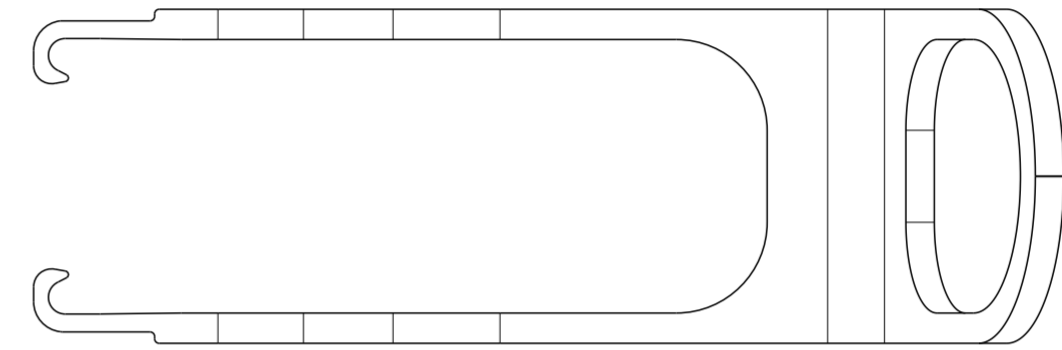
REVISIONS				
P	LTR	DESCRIPTION	DATE	APVD
A		REVISE AS PER ECR-15-005925	22APR2015	RS JL

NOTES:

- 1. MATERIALS: STAINLESS STEEL
- 2. MUST COMPLY WITH DIRECTIVE 2002/95/EC (ROHS)



2213585-1 APPLICATION



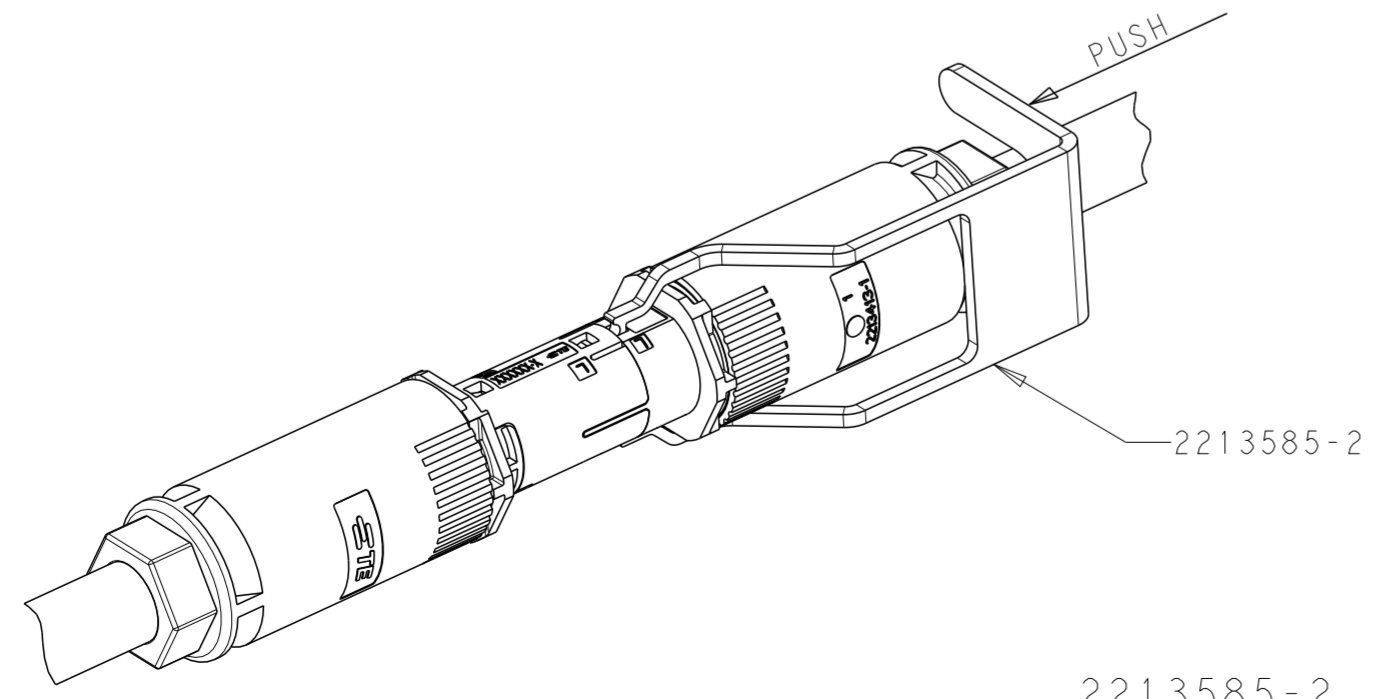
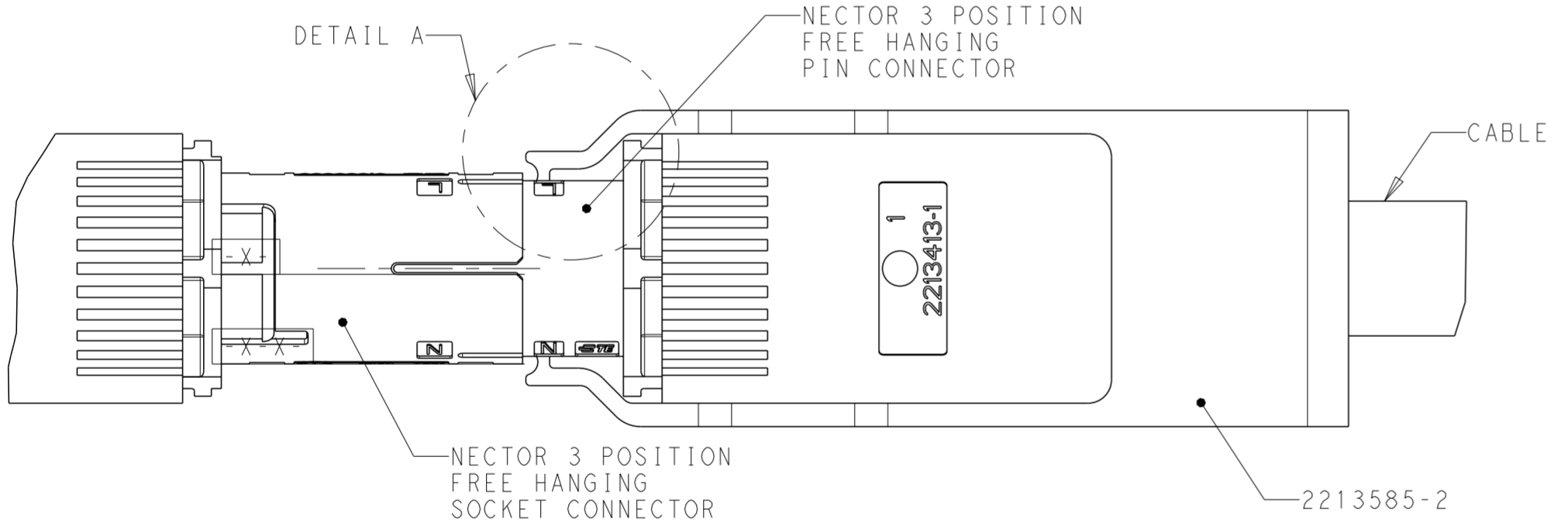
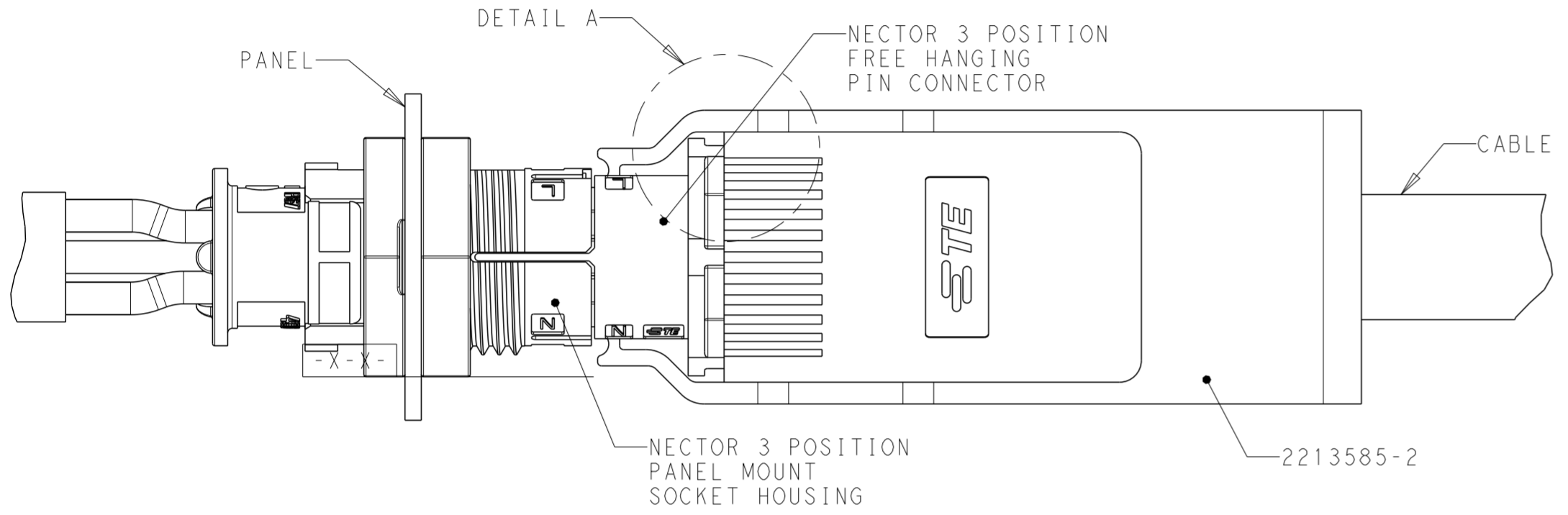
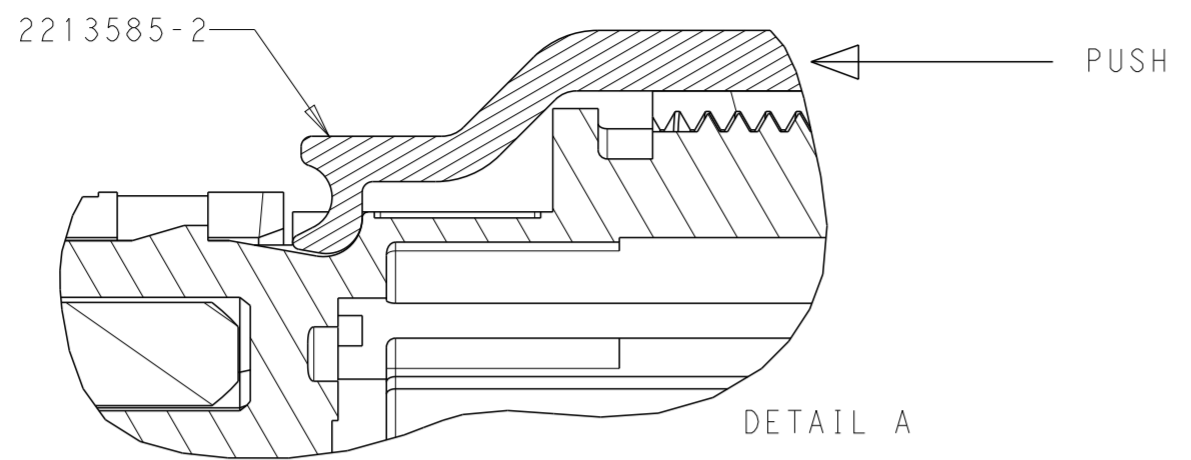
2213585-1 SHOWN

"PUSH" TYPE DE-LATCH TOOL	2213585-2
"PULL" TYPE DE-LATCH TOOL	2213585-1
DESCRIPTION	PART NO.

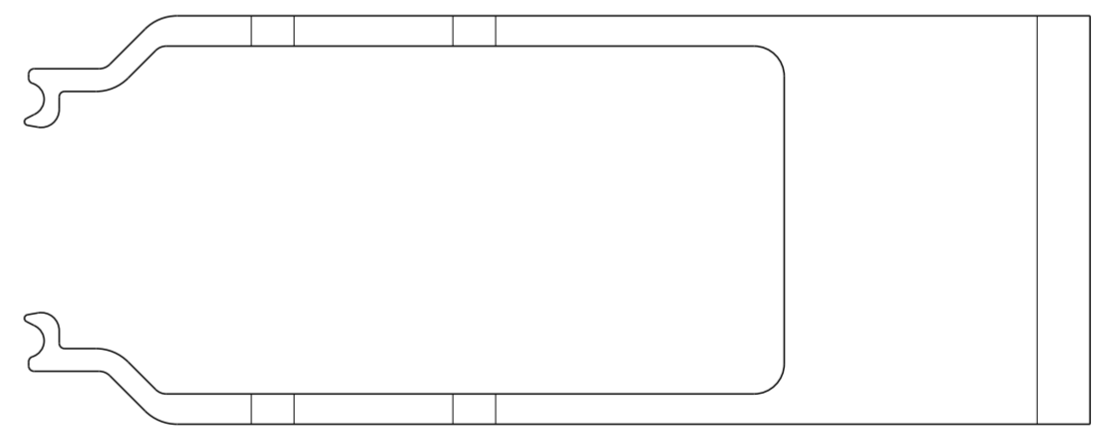
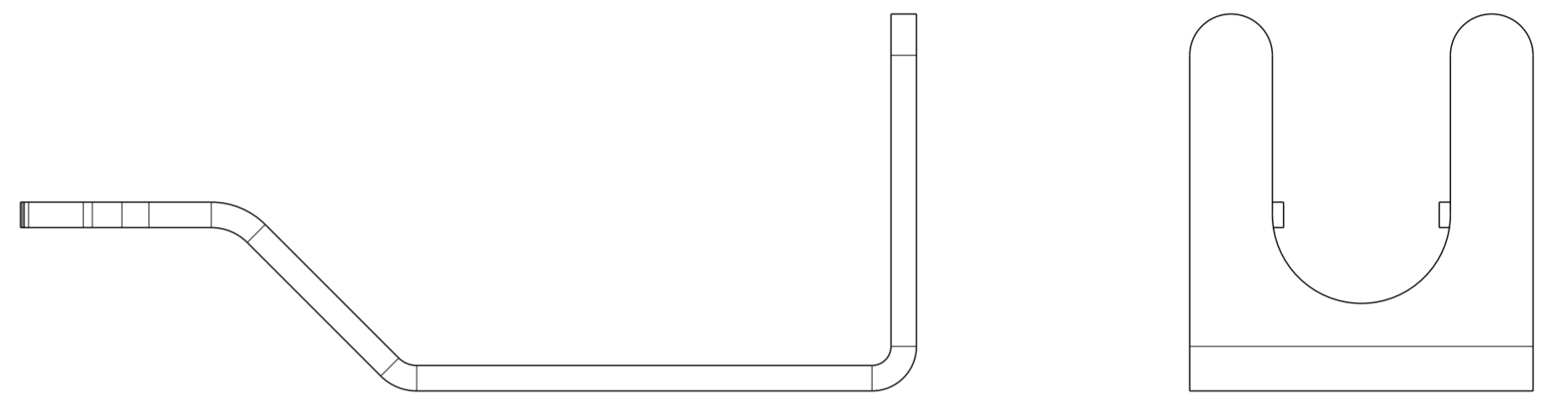
THIS DRAWING IS A CONTROLLED DOCUMENT.		DWN J. SHAFFER 08DEC2014	TE Connectivity	
DIMENSIONS: mm		CHK M. LUKSIC 15DEC2014		
TOLERANCES UNLESS OTHERWISE SPECIFIED:		APVD M. LUKSIC 15DEC2014	NAME NECTOR 3 DELATCHING TOOLS	
0 PLC ±	1 PLC ±0.5	PRODUCT SPEC	SIZE A2	CAGE CODE -
2 PLC ±0.13	3 PLC ±0.013	APPLICATION SPEC	DRAWING NO. C-2213585	RESTRICTED TO -
4 PLC ±0.0001	ANGLES ±	WEIGHT -	SCALE 1:1	SHEET 1 OF 2
MATERIAL 1	FINISH -	Customer Drawing	REV A	

THIS DRAWING IS UNPUBLISHED. RELEASED FOR PUBLICATION 20
 © COPYRIGHT 20 BY - ALL RIGHTS RESERVED.

REVISIONS				
P	LTR	DESCRIPTION	DATE	APVD
-	-	SEE SHEET 1	-	-



2213585-2 APPLICATION



2213585-2 SHOWN

THIS DRAWING IS A CONTROLLED DOCUMENT.		DWN J. SHAFFER 08DEC2014	TE Connectivity	
DIMENSIONS: mm		CHK M. LUKSIC 15DEC2014		
TOLERANCES UNLESS OTHERWISE SPECIFIED:		APVD M. LUKSIC 15DEC2014	NAME NECTOR 3 DELATCHING TOOLS	
0 PLC ±	1 PLC ±0.5	PRODUCT SPEC -	SIZE A2	CAGE CODE -
2 PLC ±0.13	3 PLC ±0.013	APPLICATION SPEC -	DRAWING NO. C-2213585	RESTRICTED TO -
4 PLC ±0.0001	ANGLES ±	WEIGHT -	SCALE 1:1	SHEET 2 OF 2
MATERIAL FINISH -	Customer Drawing	REV A		