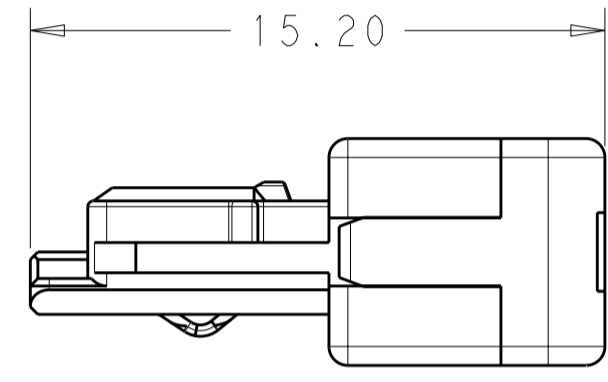
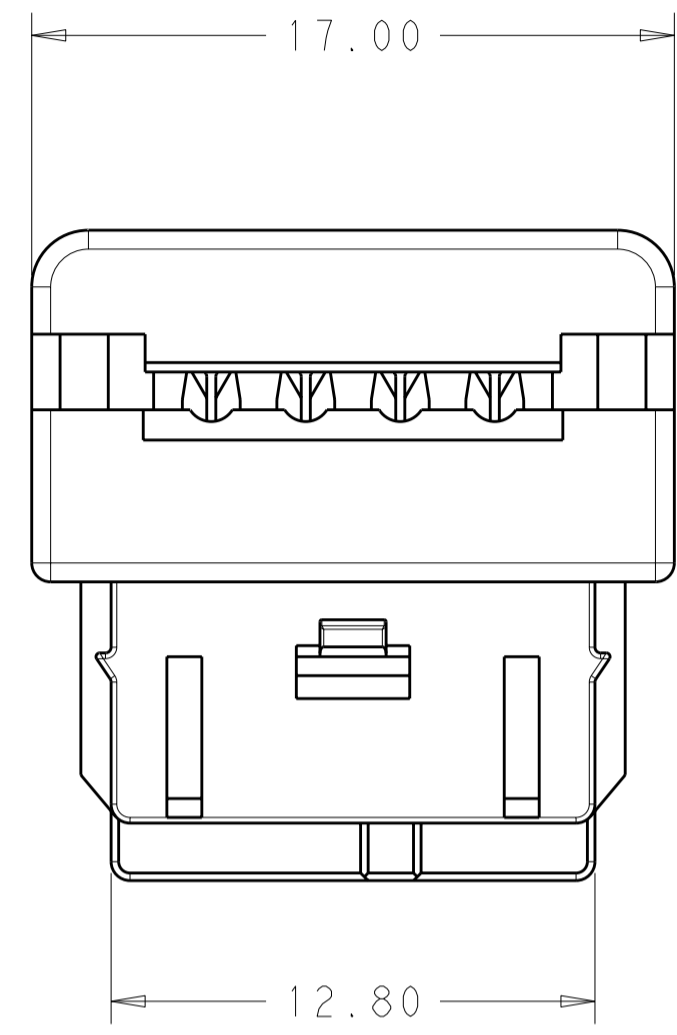


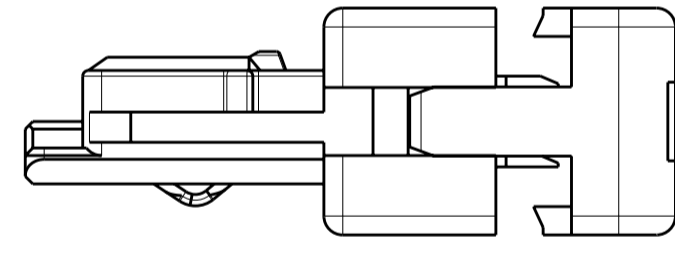
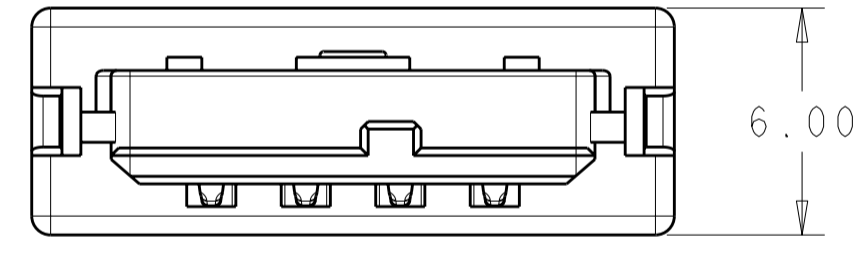
THIS DRAWING IS UNPUBLISHED. RELEASED FOR PUBLICATION 20
 © COPYRIGHT 20 BY TYCO ELECTRONICS CORPORATION. ALL INTERNATIONAL RIGHTS RESERVED.

1. PARTS SHIPPED IN OPEN POSITION.
2. MUST COMPLY WITH DIRECTIVE 2002/95/EC (ROHS).
3. PACKAGING (TBD)

LOC		DIST		REVISIONS			
P	LTR	DESCRIPTION	DATE	DWN	APVD		
1		DRAWN	05AUG2010	RB	BC		
2		ADDED CONN. MARKING, NEW CLIP FEATURES	18OCT2010	RB	BC		
3		REMOVE DIM FROM OPEN POS VIEW	29DEC2010	WVS	BC		
4		REMOVE EXTRA PART NUMBERS	01FEB2011	BC	BC		



CLOSED POSITION

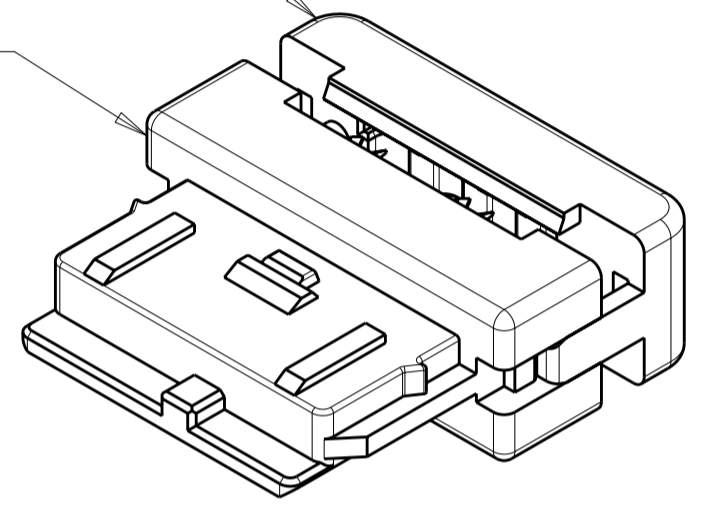


OPEN POSITION

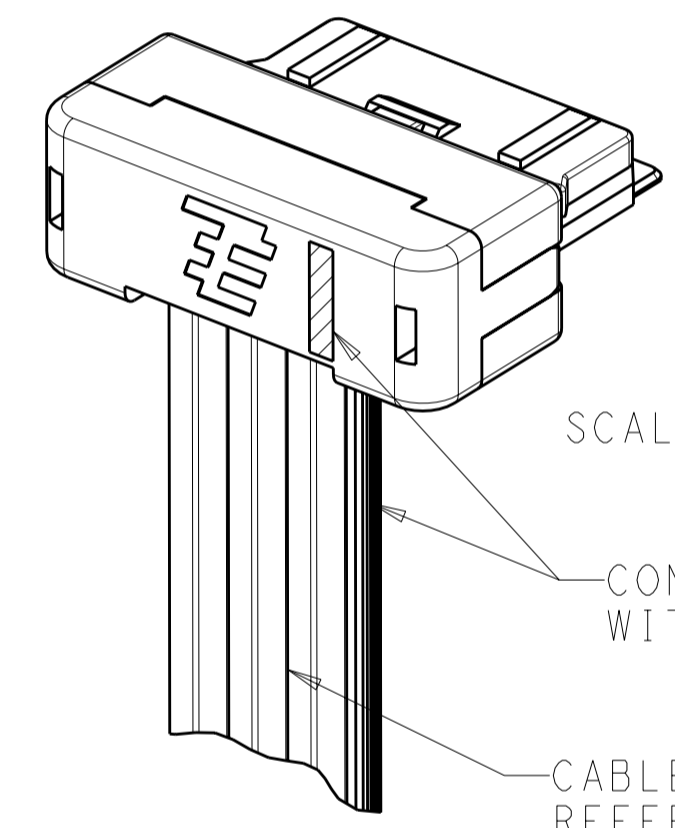
2154150-1 SHOWN

STUFFER, RIGHT-ANGLE CONNECTOR, NEVALO
 MATERIAL: GLASS-FILLED PBT
 COLOR: NATURAL

SUB-ASSEMBLY, BASE, RIGHT-ANGLE CONNECTOR, NEVALO
 MATERIAL: HOUSING, BASE: GLASS-FILLED PBT
 COLOR: NATURAL
 CONTACTS: COPPER ALLOY
 FINISH: CONTACTS: TIN PLATE OVER NICKEL



SCALE 4:1



SCALE 4:1

CONNECTOR MARKING ALIGNS WITH RIBBON CABLE STRIPE

CABLE SHOWN FOR REFERENCE ONLY

TYCO ELECTRONICS
 CONFIDENTIAL
 AND PROPRIETARY

PROPOSED DESIGN
 NOT PRODUCTION TOOLED

DESIGN IS SUBJECT TO
 CHANGE WITHOUT NOTICE

BLUE	2154150-6
GREEN	2154150-4
RED	2154150-3
ORANGE	2154150-1
MARKING COLOR	PART NO.

THIS DRAWING IS A CONTROLLED DOCUMENT FOR TYCO ELECTRONICS CORPORATION. IT IS SUBJECT TO CHANGE AND THE CONTROLLING ENGINEERING ORGANIZATION SHOULD BE CONTACTED FOR THE LATEST REVISION.		DWN R. BROWN 04AUG2010	Tyco Electronics Corporation Harrisburg, PA 17105-3608	
DIMENSIONS: mm		CHK B. CHANFY 04AUG2010	PRELIMINARY	
TOLERANCES UNLESS OTHERWISE SPECIFIED:		APVD -		
0 PLC	±	PRODUCT SPEC	NAME CONNECTOR ASSEMBLY, RIGHT ANGLE, NEVALO	
1 PLC	±	108-2442	SIZE	
2 PLC	±0.20	APPLICATION SPEC	CAGE CODE	
3 PLC	±	114-13290	DRAWING NO	
4 PLC	±	WEIGHT	RESTRICTED TO	
ANGLES	±	-	A200779C-2154150	
FINISH	±	CUSTOMER DRAWING	SCALE 5:1 SHEET 1 OF 1 REV 4	