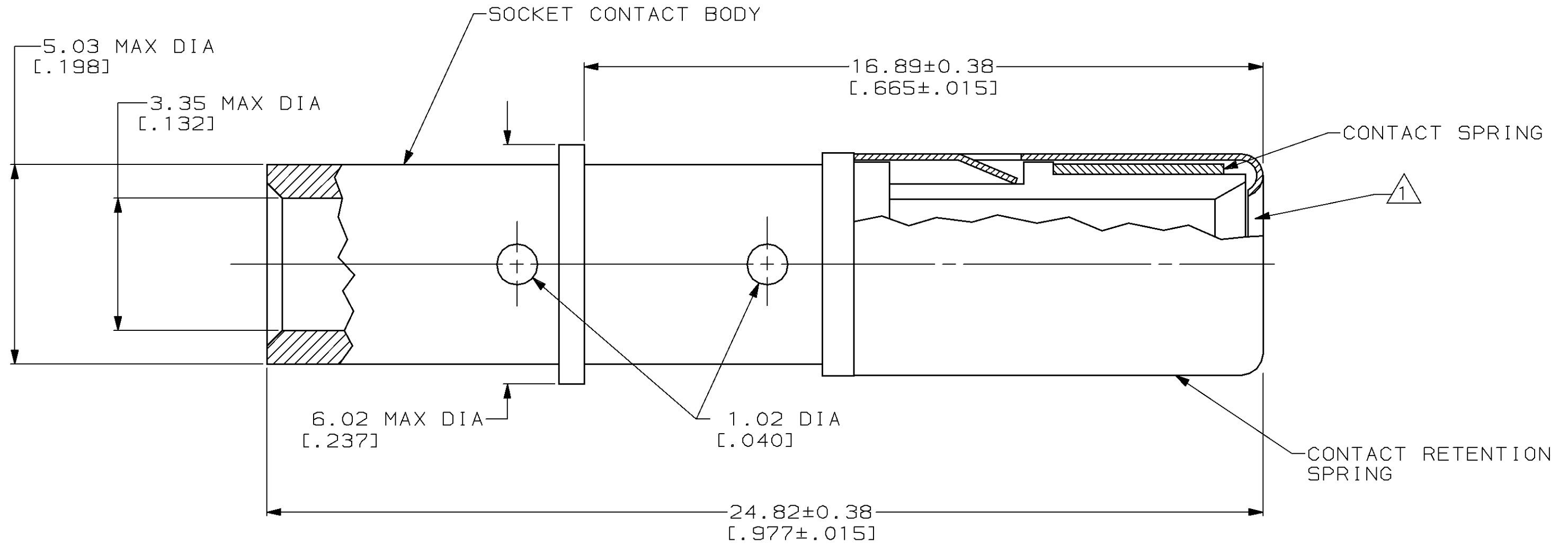


THIS DRAWING IS UNPUBLISHED. RELEASED FOR PUBLICATION, 19 .
 © COPYRIGHT 19 BY AMP INCORPORATED. ALL INTERNATIONAL RIGHTS RESERVED.

MOD	LOC	DIST	P	F	ZONE	LTR	DESCRIPTION	DATE	APPD
25	BD	39				0	RLSE -1 NPR 5064, WAS 93-5020-007-1	03/03/94	-



- 1 ACCOMMODATES 3.18±0.03 [.125±.001] DIA PIN.
- 2 SOCKET CONTACT BODY: BRASS; CONTACT SPRING: BERYLLIUM COPPER; CONTACT RETENTION SPRING: STAINLESS STEEL.
- 3 1.27µm [.000050] MIN GOLD OVER 1.27µm [.000050] MIN NICKEL.
- 4 0.76µm [.000030] MIN NICKEL.

THIS DRAWING IS A CONTROLLED DOCUMENT FOR AMP INCORPORATED. IT IS SUBJECT TO CHANGE AND THE CONTROLLING ENGINEERING ORGANIZATION SHOULD BE CONTACTED FOR THE LATEST REVISION.

DO NOT SCALE PRINT. UNLESS SPECIFIED DIMENSIONS IN mm [INCHES] TOLERANCES ON: 2 PLC DEC ± 0.13 [.005] 3 PLC DEC ± - ANGLES ± -		DR 03/03/94 D. GELTZ	AMP AMP Incorporated Harrisburg, PA 17105-3608
MATERIAL	CHK 03/04/94 R. STONE	APPD 03/07/94 G. STEINHAUER	
FINISH	APPD 03/07/94 G. STEINHAUER	PRODUCT SPEC	NAME SOCKET CONTACT ASSEMBLY, TYPE I #10,
SOCKET CONTACT BODY: 3	APPLICATION SPEC	WEIGHT -	SIZE B
CONTACT SPRING: 4			CAGE CODE 00779
			DRAWING NO C-213790
			SCALE 10:1
			SHEET 1 OF 1

213790-1
PART NO