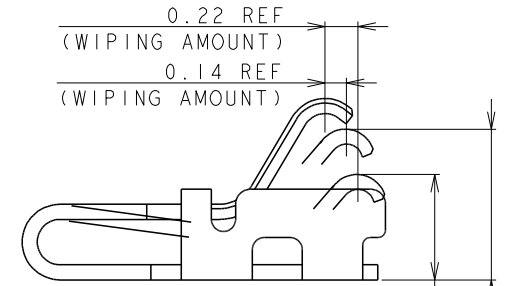
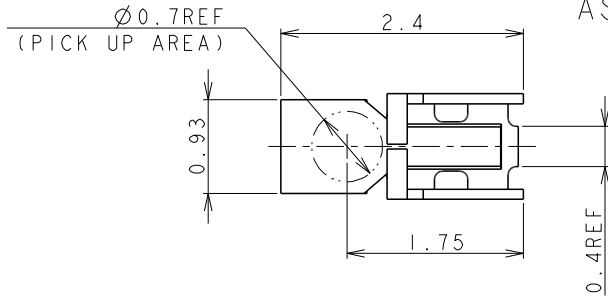


THIS DRAWING IS UNPUBLISHED. RELEASED FOR PUBLICATION 20
 © COPYRIGHT 20 BY - ALL RIGHTS RESERVED.

LOC J DIST

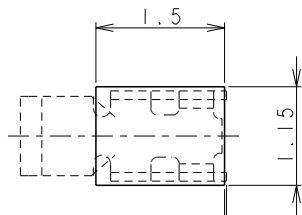
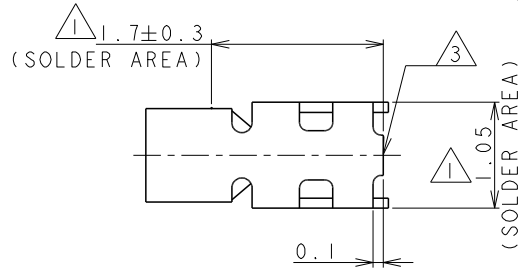
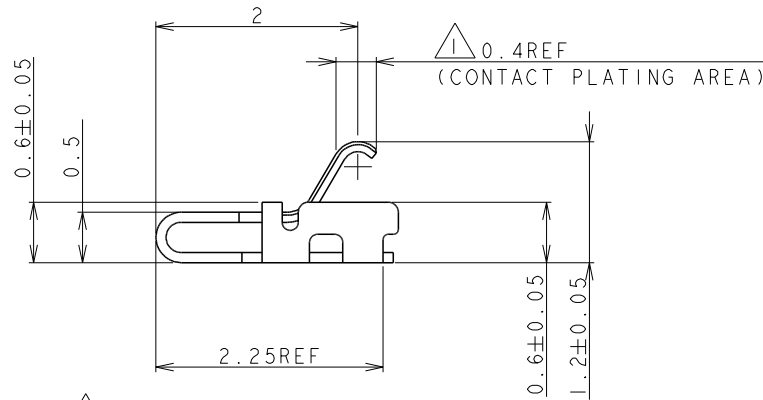
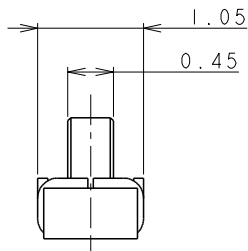
REVISIONS			DATE	DWN	APVD
P	LTR	DESCRIPTION			
	A	REVISED	01 JUL 2010	Y. K	Y. N
	B	REVISED PER ECR-12-020867	24 JAN 2013	F. L	S. Y
	B1	REVISED PER ECR-13-008919	03 JUN 2013	R. W	S. Y
	B2	REVISED PER ECR-16-017382	12 JUN 2017	J. J	W. H

AS SHOWN: - 1 & - 3



STROKE CONDITION
SCALE 30:1

0.7 (PCB HEIGHT)
0.7 (PCB HEIGHT)



0.02 REF
(CONNECTOR MOUNT AREA)

PCB LAYOUT (REFERENCE)

NOTES:

- △ FINISH (PLATING SPECIFICATION)
 Ni UNDER PLATING : 0.0008mm TO 0.002mm
 Au PLATING (CONTACT PLATING AREA) : 0.00025mm TO 0.0005mm
 Au PLATING (SOLDER AREA) : 0.00005mm TO 0.0005mm
- △ MATERIAL : COPPER ALLOY, THK.=0.1mm
- △ CUTTING BURR : 0.05mm MAX.
- 4 DISUSED PACKAGING MATERIAL : DRYPACK AND BAKING PROCESS.
- △ POST-PLATING SPECIFICATION:
 Ni UNDER PLATING: 0.8um TO 2.0um
 Au PLATING (CONTACT PLATING): 0.3um MIN
 Au PLATING (SOLDER PLATING): 0.01um TO 0.2um
- 6 NORMAL FORCE AT 1.0mm HEIGHT IS 0.3N MIN
 NORMAL FORCE AT 0.7mm HEIGHT IS 1.1N MAX

△	△	2134078-3
△	△	2134078-1
FINISH	MATERIAL	PART NUMBER

THIS DRAWING IS A CONTROLLED DOCUMENT.

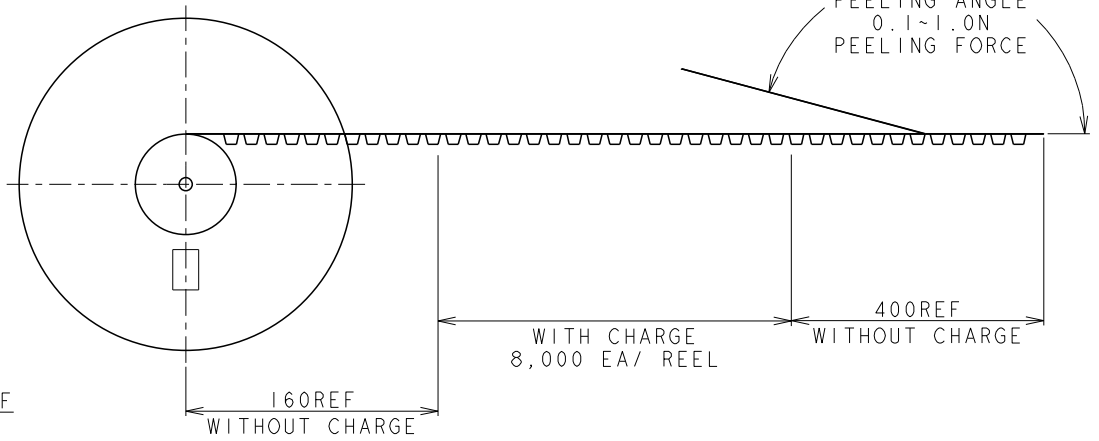
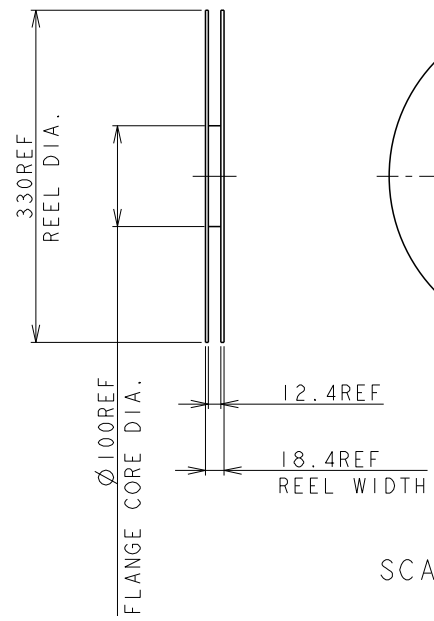
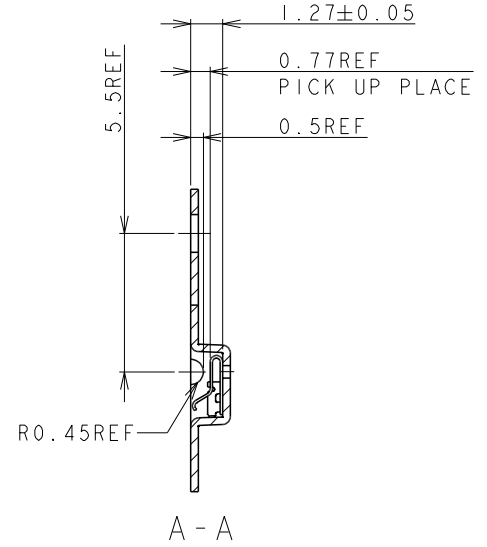
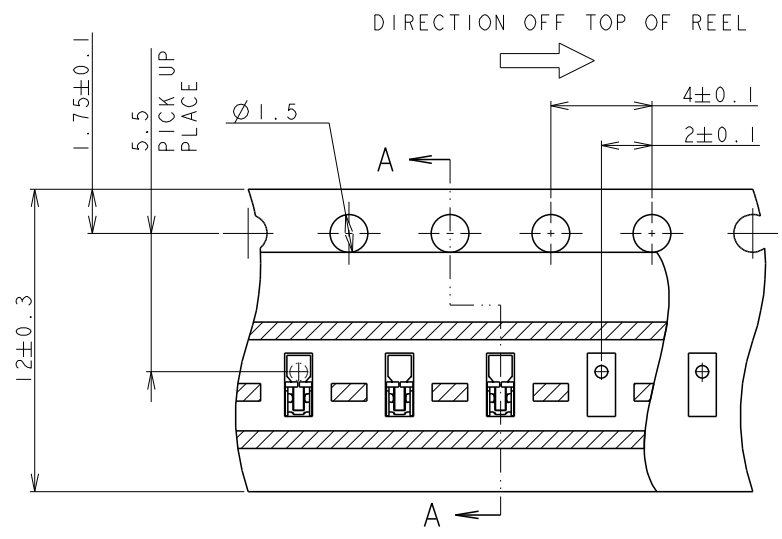
DIMENSIONS:	TOLERANCES UNLESS OTHERWISE SPECIFIED:
mm	± 0.15
0-PLC	±
1-PLC	± 0.5
2-PLC	± 0.13
3-PLC	± 0.013
4-PLC	± 0.0013
ANGLES	± 3°

DWN	Y. KUDO	22 APR 2010
CHK	C. OHASHI	22 APR 2010
APVD	Y. NAKAZAWA	22 APR 2010
PRODUCT SPEC		
APPLICATION SPEC		
WEIGHT	4.4 mg	
Customer Drawing		

		TE Connectivity	
		NAME	
- SHIELD FINGER 1210		RESTRICTED TO	
SIZE	CAGE CODE	DRAWING NO	
A3	00779	C=2134078	
SCALE 20:1		SHEET 1	OF 2
		REV B2	

THIS DRAWING IS UNPUBLISHED. RELEASED FOR PUBLICATION 20
 © COPYRIGHT 20 BY - ALL RIGHTS RESERVED.

LOC	DIST	REVISIONS			
P	LTR	DESCRIPTION	DATE	DWN	APVD
J		SEE SHEET 1	-	-	-



SCALE 1:5

THIS DRAWING IS A CONTROLLED DOCUMENT.

DIMENSIONS: mm	TOLERANCES UNLESS OTHERWISE SPECIFIED: ± 0.2	DWN: Y. KUDO 22APR2010	 TE Connectivity
	0-PLC ± 0.2	CHK: C. OHASHI 22APR2010	
	1-PLC ± 0.5	APVD: Y. NAKAZAWA 22APR2010	
	2-PLC ± 0.13	PRODUCT SPEC	
MATERIAL	FINISH	APPLICATION SPEC	NAME: SHIELD FINGER 1210
		WEIGHT: 4.4 mg	SIZE: A3
		Customer Drawing	CAGE CODE: 300779
			DRAWING NO: C=2134078
			RESTRICTED TO
			SCALE: 20:1
			SHEET: 2 OF 2
			REV: B2