

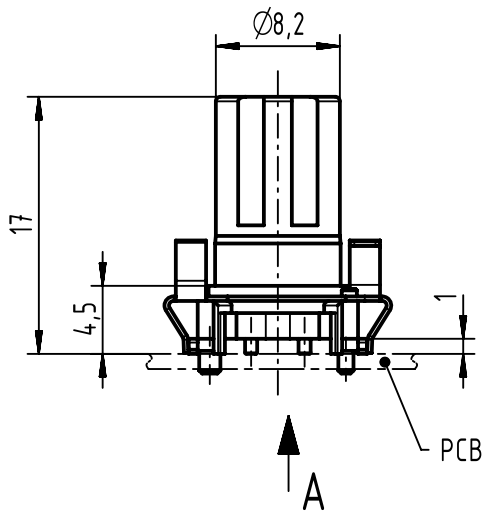
1 2 3 4 5 6

A

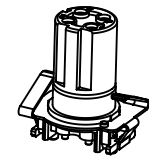
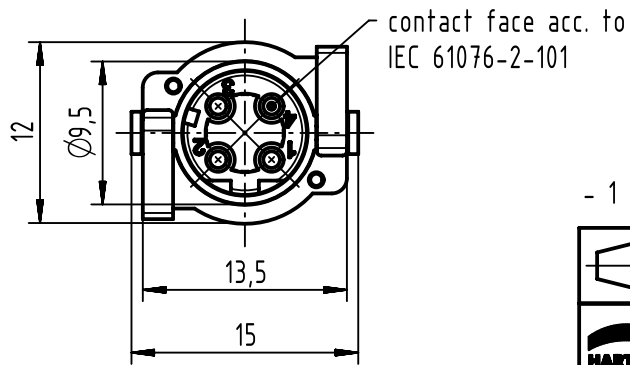
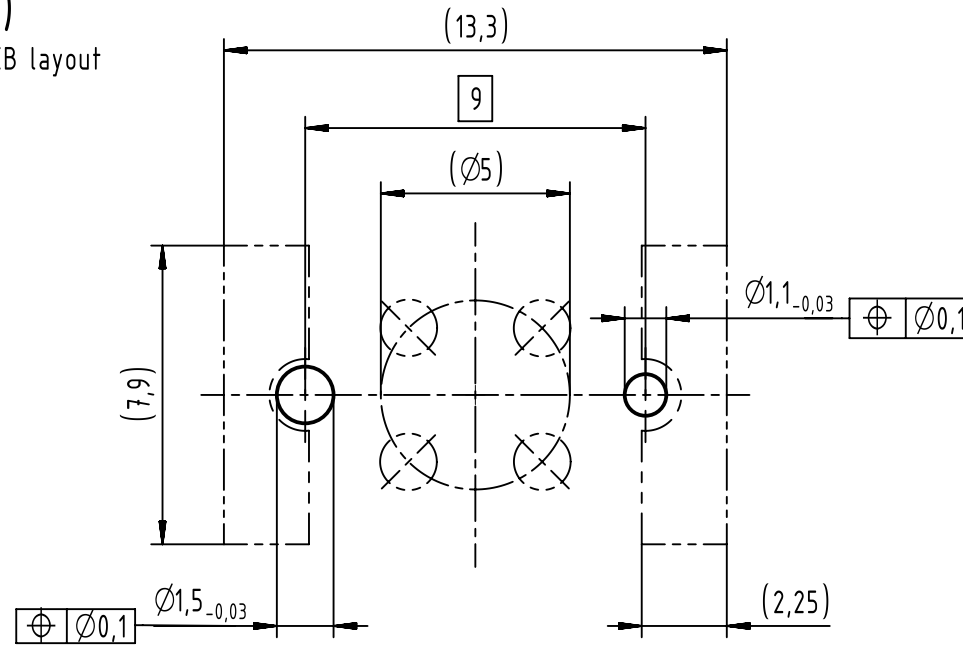
B

C

D



A (5:1)
recommended PCB layout



- 1 pcs. single package

	All rights reserved Department EC PD - DE	All Dimensions in mm Original Size DIN A4		Scale 2:1	Free size tol.	Ref. Sub. TB 21033812404 / 50000099094 / 2016-01-07	
		Created by HELLMANN	Inspected by EISFELD	Standardisation HOFFMANN	Date 2016-11-02	State Final Release	
HARTING Electronics GmbH D-32339 Espelkamp		Title HARTING M12 PCB recpt str 4-pole D-coded female				Doc-Key / ECM-Nr. 100618159/UGD/001/D 500000110834	
		Type TB	Number 21033812404			Rev. D	Page 1/1