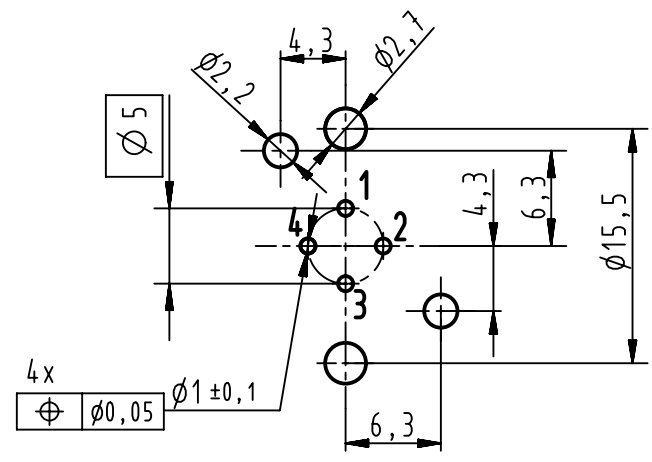
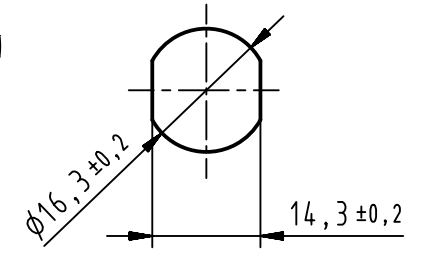
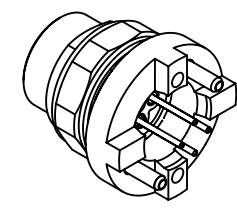


Montageausschnitt  
panel cut out  
(1:1)

Leiterplatten Lochbild  
PCB layout



1 Leiterplattenaufgabe / top surface PCB  
empfohlene Leiterplattenstärke: 1,6mm  
recommended PCB-thickness: 1,6mm



	All Dimensions in mm Original Size DIN A4		Scale 2:1	Free size tol.		Ref.	
	All rights reserved Department EC PD - DE		Created by DYCKC	Inspected by HARLASS	Standardisation HOFFMANN	Date 2012-11-26	State Final Release
HARTING Electronics GmbH D-32339 Espelkamp			Title M12 panel feedthrough/PCB straight A-cod.			Doc-Key / ECM-Nr. 100196076/UGD/002/D 500000056709	
			Type TB	Number 21033216420		Rev. D	Page 1/1