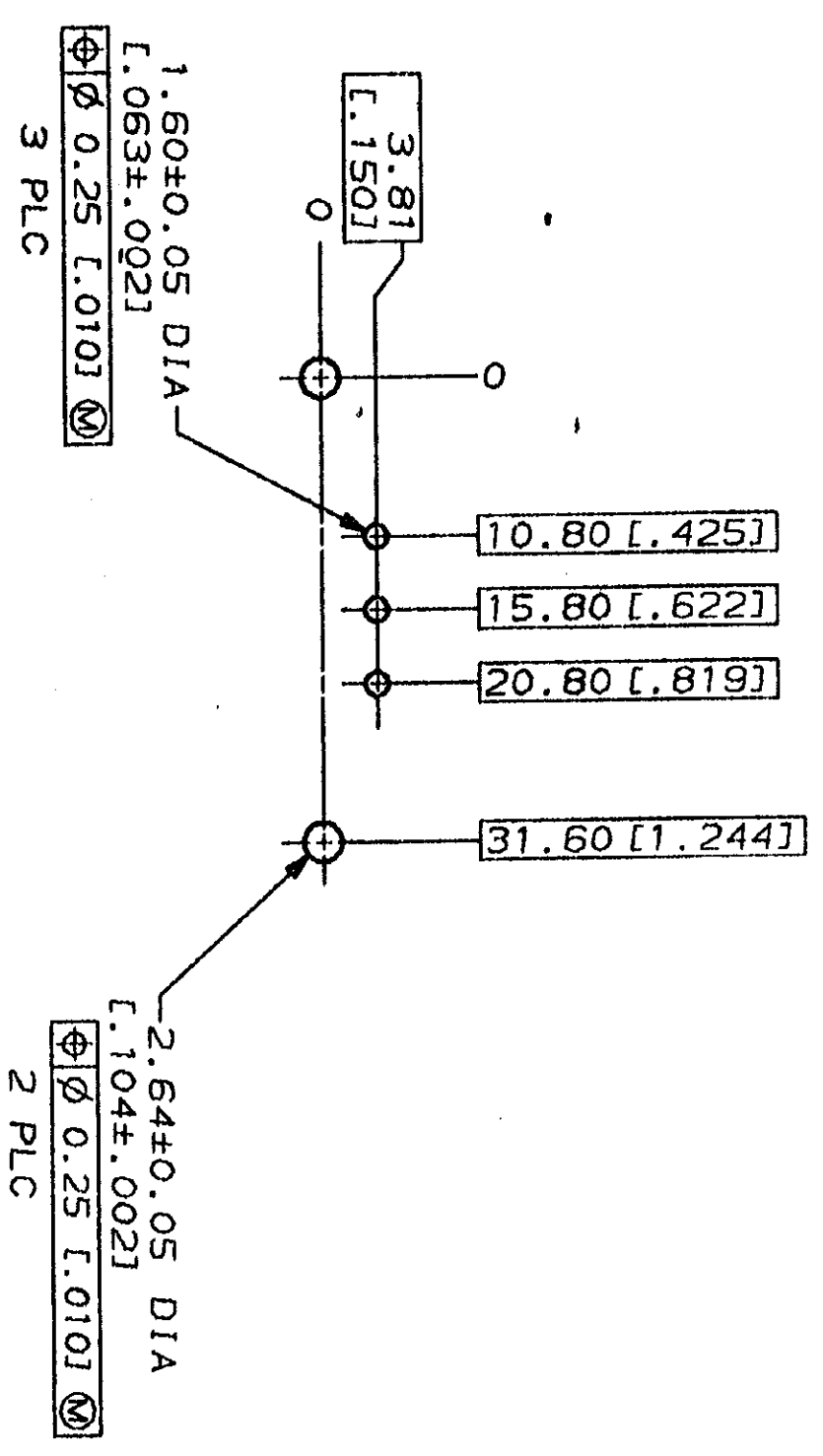
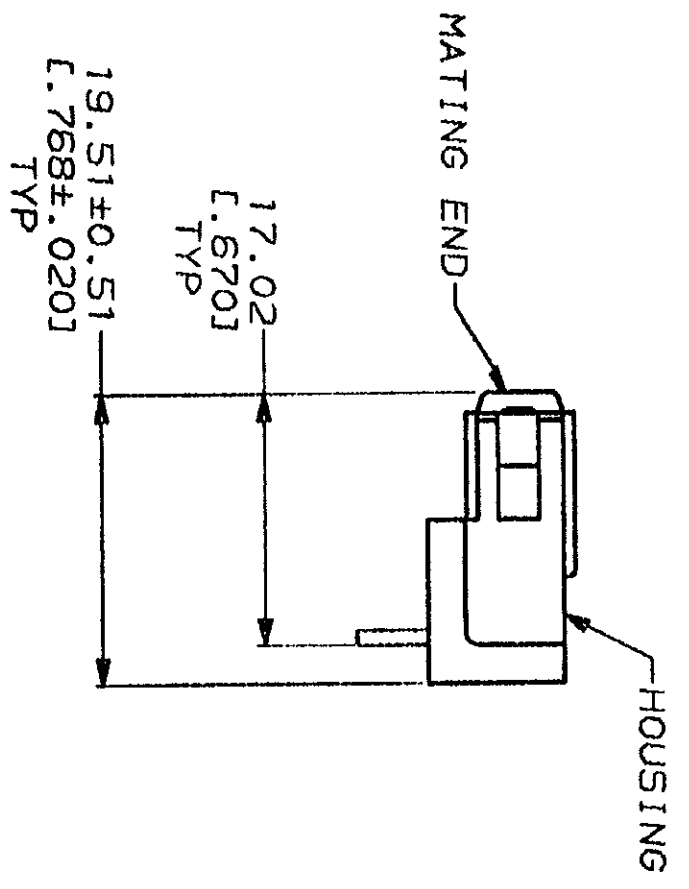
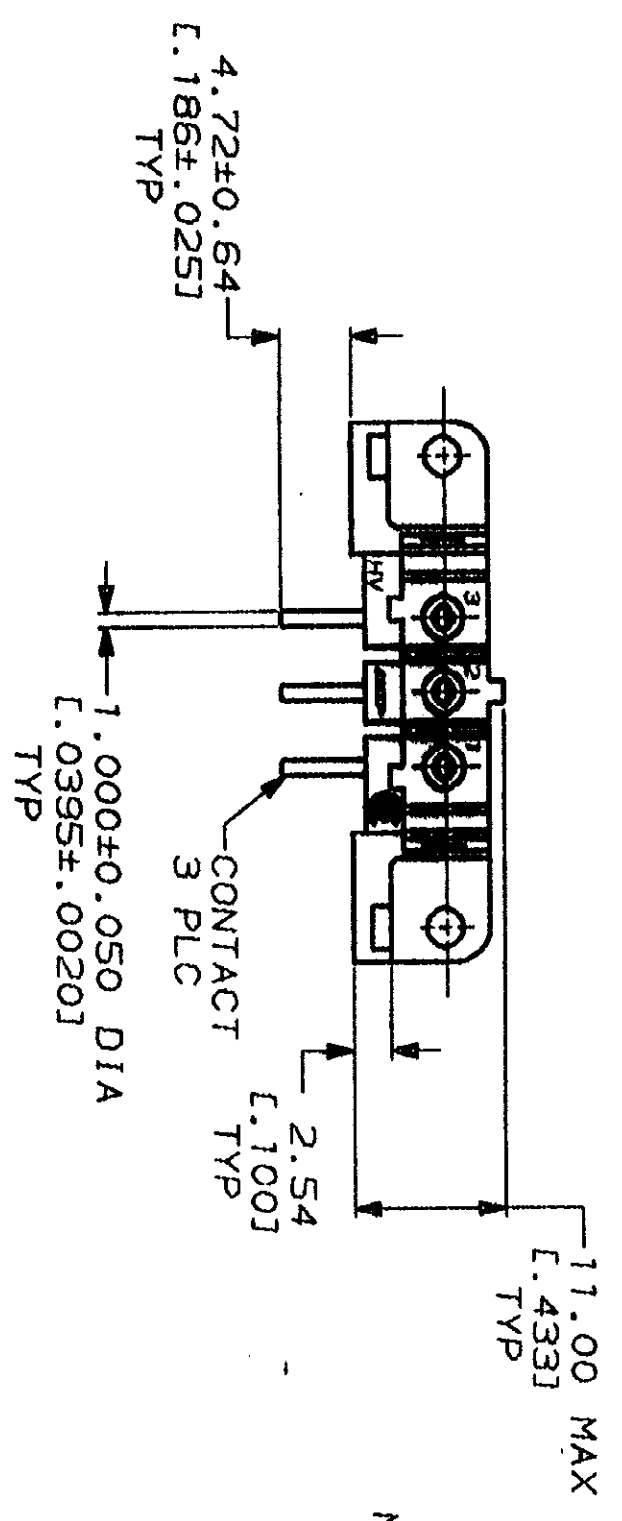
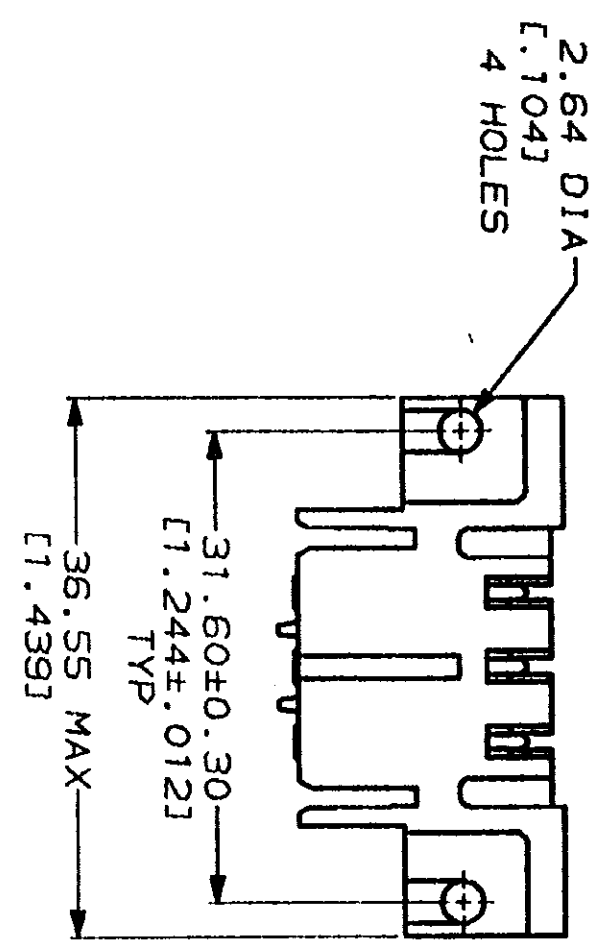


REV	LOC	QTY	ZONE	LTR	DESCRIPTION	DATE	APPD
1	BD	37		6	REV 8 REDRAWN PER ECN 806505	08/05/92	-



RECOMMENDED PC BOARD LAYOUT

- △ 3.81µm [1.000150] MIN TIN-LEAD OVER 0.76µm [1.000030] MIN NICKEL.
- △ 0.76µm [1.000030] MIN GOLD FOR A LENGTH OF 5.08 [1.200] MIN FROM MATING END, 3.81µm [1.000150] MIN TIN-LEAD FOR A LENGTH OF 5.23 [1.206] MIN FROM OPPOSITE END, BOTH OVER 1.27µm [1.000050] MIN NICKEL.

DO NOT SCALE PRINT. UNLESS SPECIFIED (DIMENSIONS IN mm (INCHES)) DIMENSIONS IN mm (INCHES) TOLERANCES ON: 1 PLG DEC ± 0.25 [1.010] 2 PLG DEC ± 0.25 [1.010] 3 PLG DEC ± 0.25 [1.010] ANGLES ±		DR 08/05/92 L.SIPE	<p>AMP Incorporated Harrisburg, PA 17105-2600</p>	NAME	207608-3
MATERIAL HOUSING: NYLON, RED CONTACTS: PH BRZ		CHK 9-11-92 J.McCLINTON APPD 8-12-92 A. TRAVIS APPD 8-12-92 C. RICHIE PRODUCT SPEC 108-10033		CONTACT FINISH	207608-1
CONTACTS: SEE TABLE		FINISH	SIZE	CAGE CODE	DRAWING NO
		HEIGHT	C	00779	207608

SOCKET HEADER ASSEMBLY, 3 POSN, IN-LINE, METRIMATE

CUSTOMER DRAWING