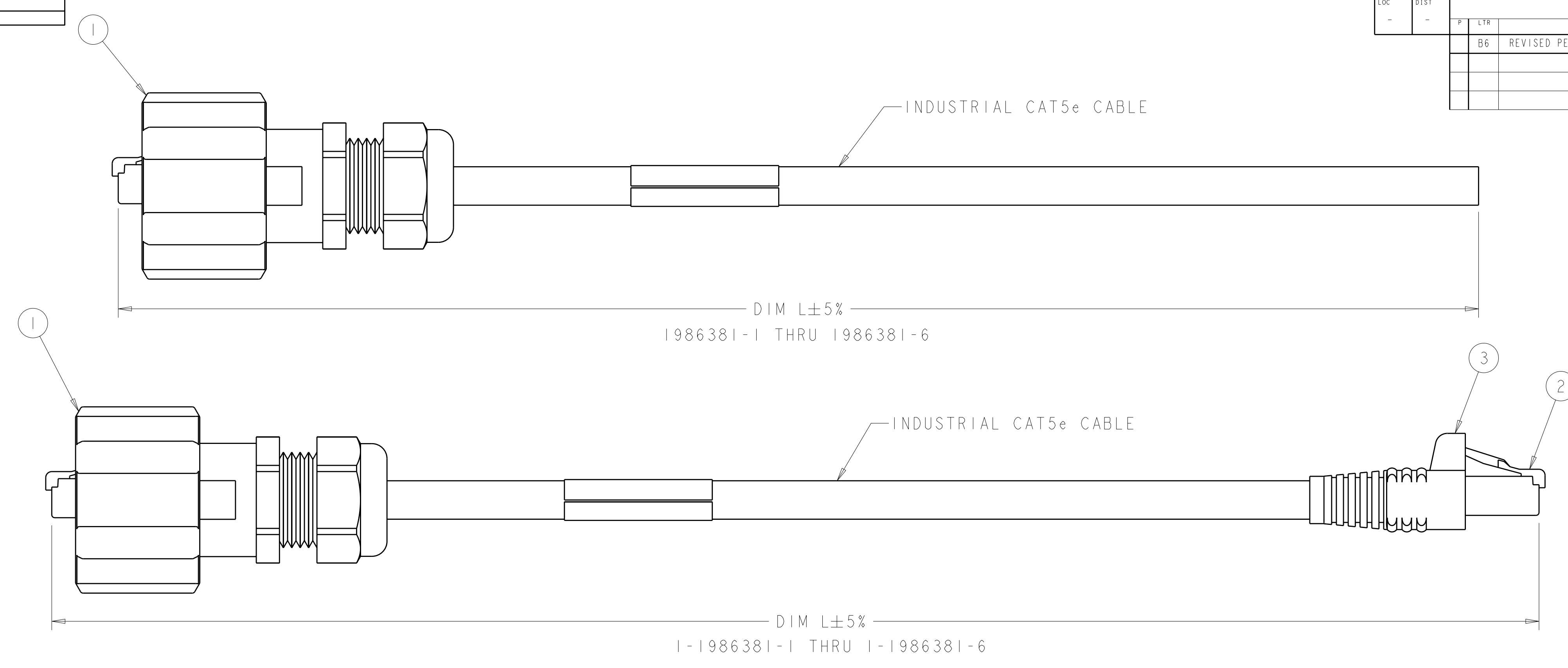


LOC		DIST		REVISIONS			
P	LTB	DESCRIPTION	DATE	DWN	APVD		
B6		REVISED PER ECO-11-005027	18MAR2011	RK	HMR		



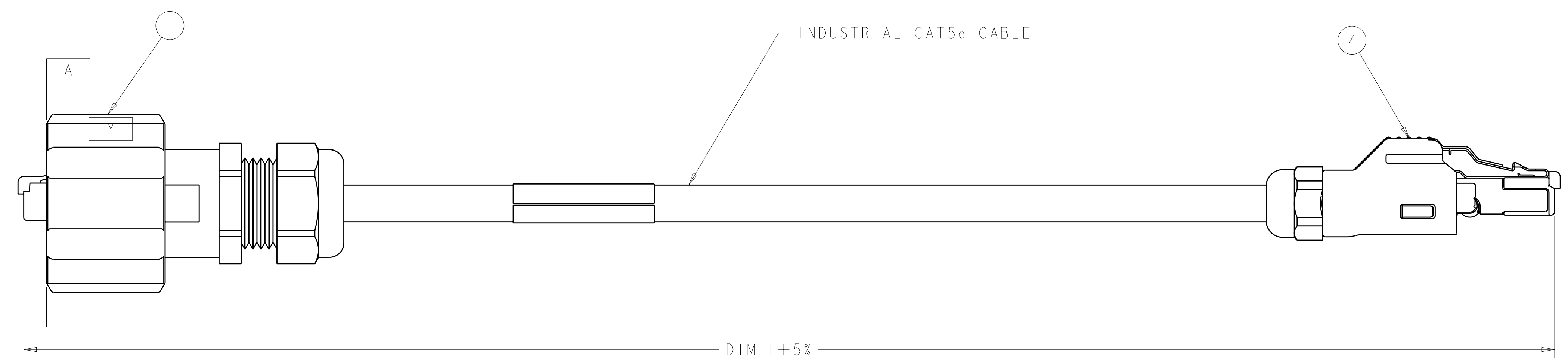
6.0	-	-	-	2	4-1986381-3				
4.0	-	-	-	2	4-1986381-2				
18.0	-	-	-	2	4-1986381-1				
14.0	-	-	-	2	4-1986381-0				
11.0	-	-	-	2	3-1986381-9				
9.0	-	-	-	2	3-1986381-8				
8.0	-	-	-	2	3-1986381-7				
20.0	-	-	-	2	3-1986381-6				
15.0	-	-	-	2	3-1986381-5				
10.0	-	-	-	2	3-1986381-4				
7.0	-	-	-	2	3-1986381-3				
5.0	-	-	-	2	3-1986381-2				
3.0	-	-	-	2	3-1986381-1				
1.0		-	-	1	2-1986381-7				
20.0		-	-	1	2-1986381-6				
15.0		-	-	1	2-1986381-5				
10.0		-	-	1	2-1986381-4				
7.0		-	-	1	2-1986381-3				
5.0		-	-	1	2-1986381-2				
3.0		-	-	1	2-1986381-1				
1.0	-		-	1	1-1986381-7				
20.0	-		-	1	1-1986381-6				
15.0	-		-	1	1-1986381-5				
10.0	-		-	1	1-1986381-4				
7.0	-		-	1	1-1986381-3				
5.0	-		-	1	1-1986381-2				
3.0	-		-	1	1-1986381-1				
1.0	-	-	-	1	1986381-7				
20.0	-	-	-	1	1986381-6				
15.0	-	-	-	1	1986381-5				
10.0	-	-	-	1	1986381-4				
7.0	-	-	-	1	1986381-3				
5.0	-	-	-	1	1986381-2				
3.0	-	-	-	1	1986381-1				
DIM L	④	△ IP 20 FIELD PLUG 1903527-1	③	MOD PLUG BOOT	②	CAT5e MOD PLUG	①	INDUSTRIAL PLUG KIT	PART NUMBER

△ FIELD TERMINATABLE PLUG IS PACKAGED LOOSE WITH -21 THRU -26.
 2. WIRED TO T568B STANDARD.

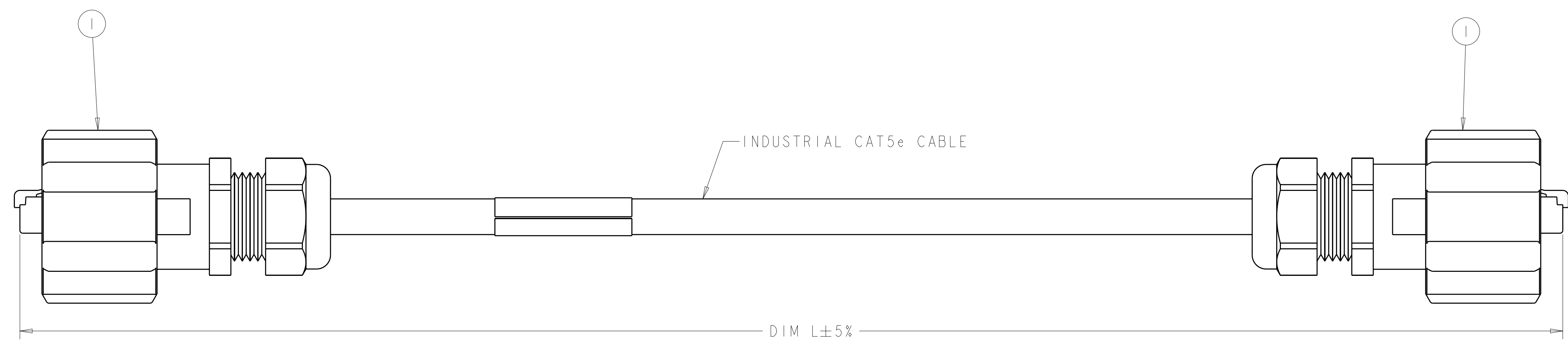
THIS DRAWING IS A CONTROLLED DOCUMENT.

DIMENSIONS:	TOLERANCES UNLESS OTHERWISE SPECIFIED:	DWN S. SCHLEGEL 22APR2008	NAME CAT 5e INDUSTRIAL ETHERNET CORDSET, STRANDED ODVNA VARAINT 1
mm	0 PLC ±0.5 1 PLC ±0.13 5 PLC ±0.013 4 PLC ±0.001 ANGLES ±	CHK M. STRECKEWALD 22APR2008	SIZE CAGE CODE DRAWING NO RESTRICTED TO
MATERIAL	FINISH	APVD M. STRECKEWALD 22APR2008	A100779C=1986381
		PRODUCT SPEC	SCALE 1:1 SHEET 1 OF 2 REV B6
		APPLICATION SPEC	CUSTOMER DRAWING
		WEIGHT	

LOC		DIST		REVISIONS			
P	LTB	DESCRIPTION	DATE	DWN	APVD		
-	-	SEE SHEET 1	-	-	-		



2-1986381-1 THRU 2-1986381-6



3-1986381-1 THRU 4-1986381-3

THIS DRAWING IS A CONTROLLED DOCUMENT.		DWN	S. SCHLEGEL	22APR2008	TE Connectivity	
DIMENSIONS:		CHK	M. STRECKEWALD	22APR2008		
mm		APVD		M. STRECKEWALD	NAME	
0 PLC ±.5 1 PLC ±0.5 2 PLC ±0.13 3 PLC ±0.013 4 PLC ±0.001 ANGLES ±.0001		PRODUCT SPEC		CAT 5e INDUSTRIAL ETHERNET CORDSET, STRANDED ODVNA VARIANT 1		
		APPLICATION SPEC		SIZE CAGE CODE DRAWING NO		
MATERIAL		WEIGHT		A100779C=1986381		
FINISH		CUSTOMER DRAWING		RESTRICTED TO		
		SCALE		2:1	SHEET	2 OF 2
				REV		B6