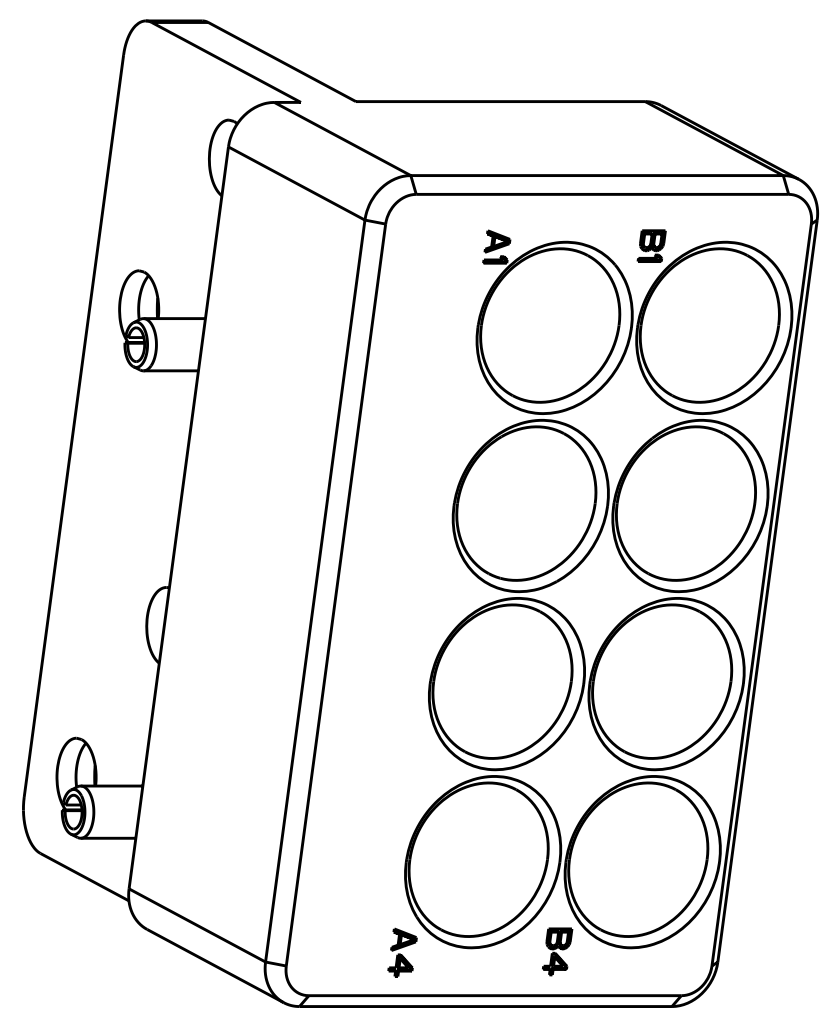
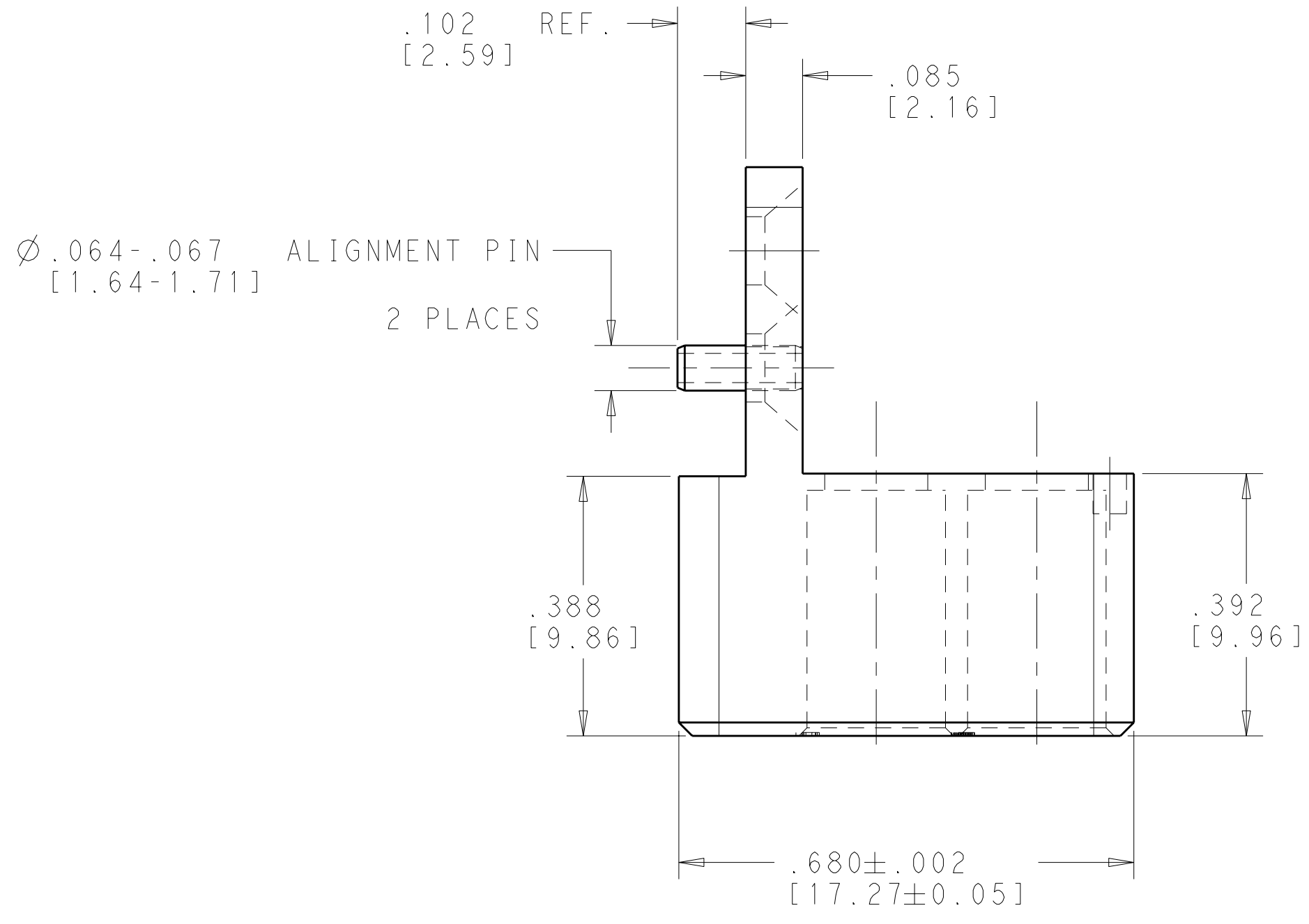
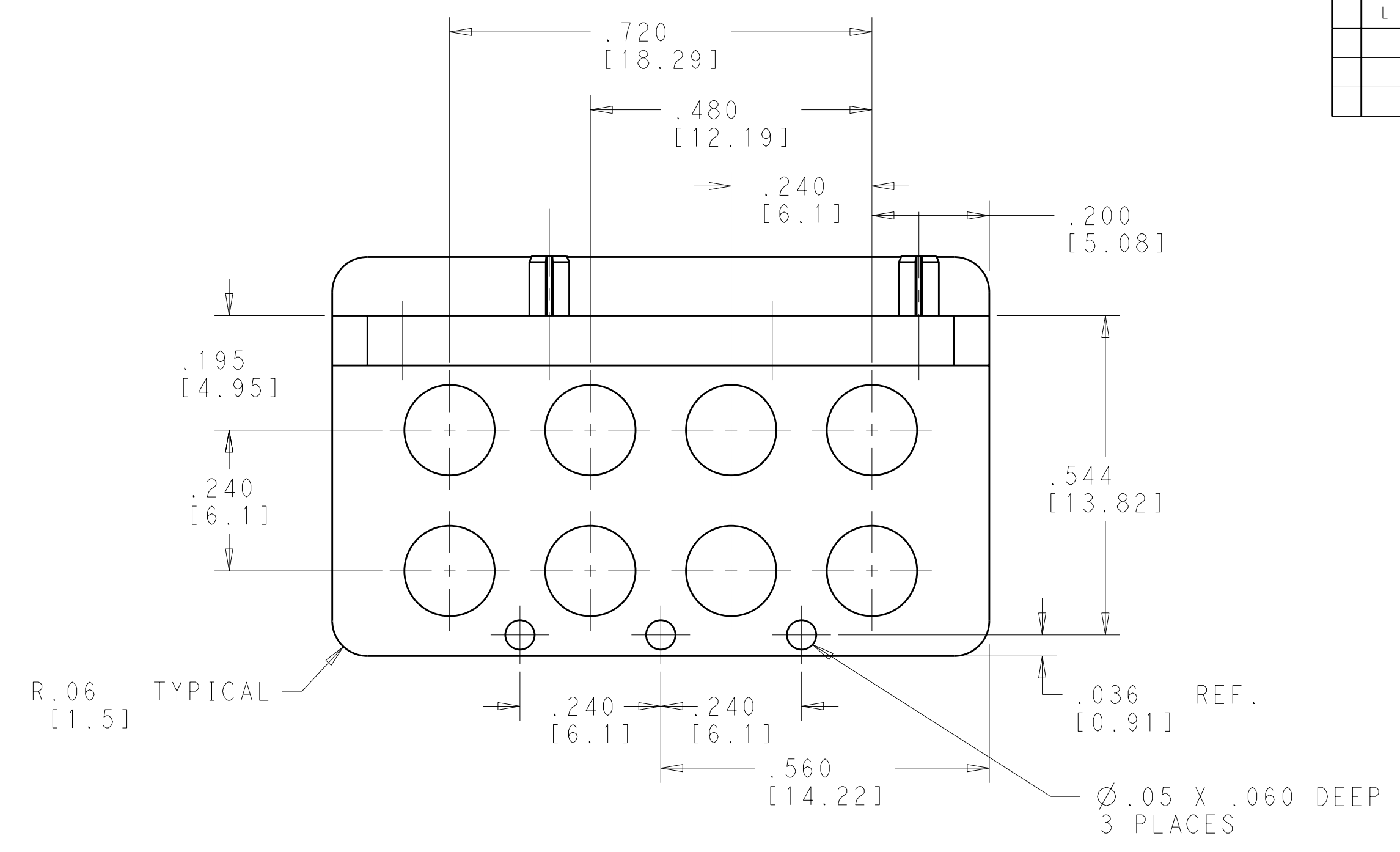


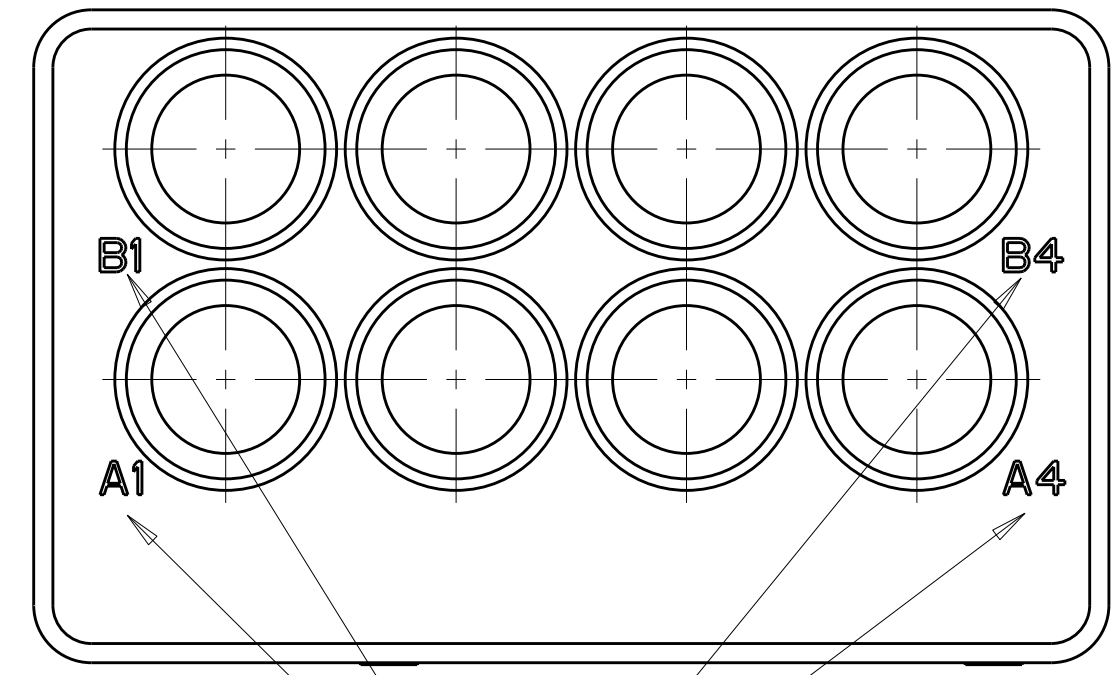
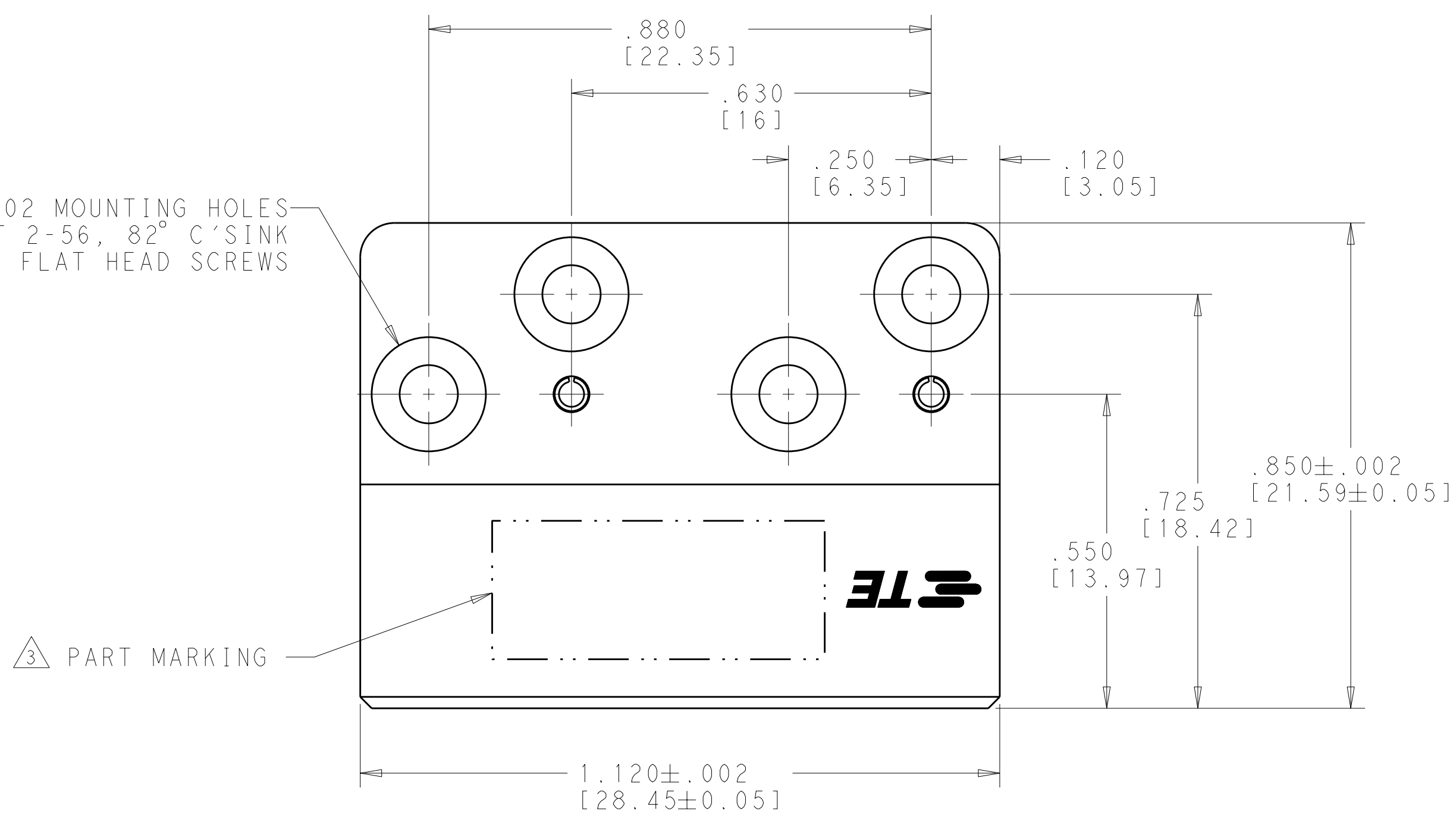
LOC	DIST	REV	DATE	BY	APPD
-	-	L	7-5-11	CT	WM



SCALE 4:1



Ø.102 MOUNTING HOLES ACCEPT 2-56, 82° C'SINK FLAT HEAD SCREWS



CAVITY IDENTIFICATION

- 1 MATERIAL:
MODULE BODY - STAINLESS STEEL, PER UNS S30300
SPRING PINS - WORK HARDENED NICKEL STAINLESS STEEL
- 2 FINISH:
MODULE BODY & SPRING PINS - PASSIVATED
- 3 PART MARKING:
TE CONNECTIVITY PART NUMBER, CAGE CODE AND DATE CODE
- 4 CAVITY IDENTIFICATION MARKING

1996705-4	3 4	1996705-4
-----	-----	1996705-3
P/N MARKING	MARKING REQUIREMENT	PART NUMBER

THIS DRAWING IS A CONTROLLED DOCUMENT.		DWN S.T. Morley 01MAY2007	TE Connectivity	
DIMENSIONS: INCHES(mm)		CHK S.T. Morley 01MAY2007	NAME POSITION R.F. MODULE, P.C.B. MOUNT VITA 67 DAUGHTER CARD	
TOLERANCES UNLESS OTHERWISE SPECIFIED:		APVD S.T. Morley 01MAY2007	SIZE CAGE CODE DRAWING NO RESTRICTED TO	
9 PLC ±.1 3 PLC ±.01 5 PLC ±.001 4 PLC ±.0005 ANGLES ±1.0°		PRODUCT SPEC	A100779C=1996705	
MATERIAL		APPLICATION SPEC	WEIGHT 1.045 oz	
FINISH		REVISIONS	SCALE 5:1 SHEET 1 OF 1 REV L	
CUSTOMER DRAWING				