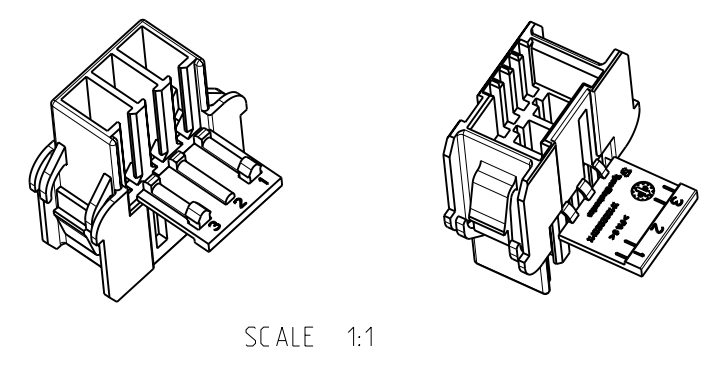


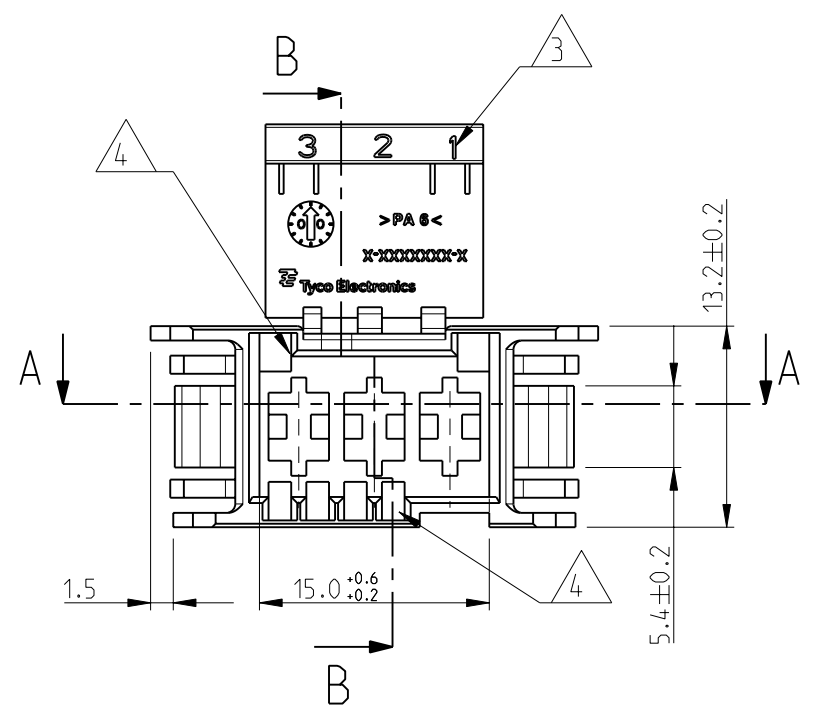
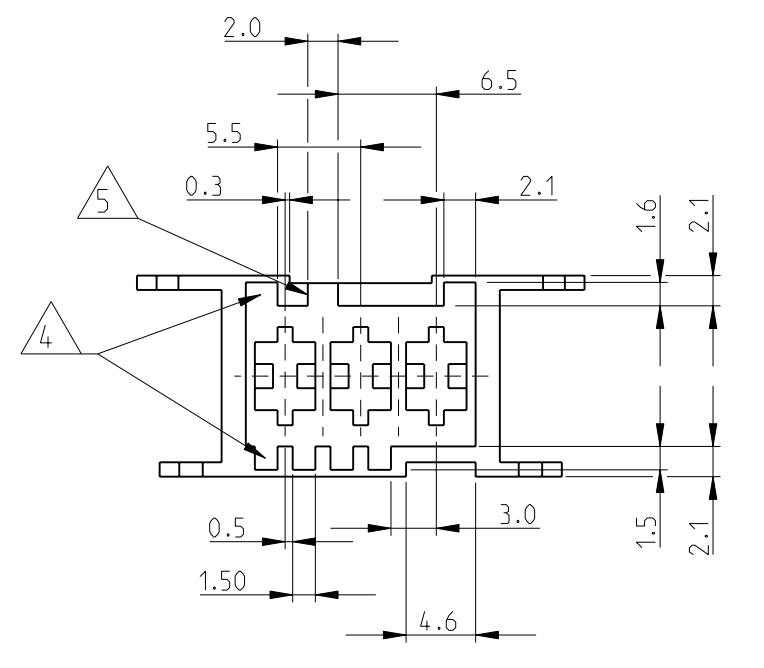
THIS DRAWING IS UNPUBLISHED. RELEASED FOR PUBLICATION 2009  
 © COPYRIGHT 2009 BY TYCO ELECTRONICS CORPORATION. ALL RIGHTS RESERVED.

LOC		DIST		REVISIONS			
P	LTR	DESCRIPTION	DATE	DWN	APVD		
	A	INITIAL RELEASE	05JAN2010	DMK	RRP		

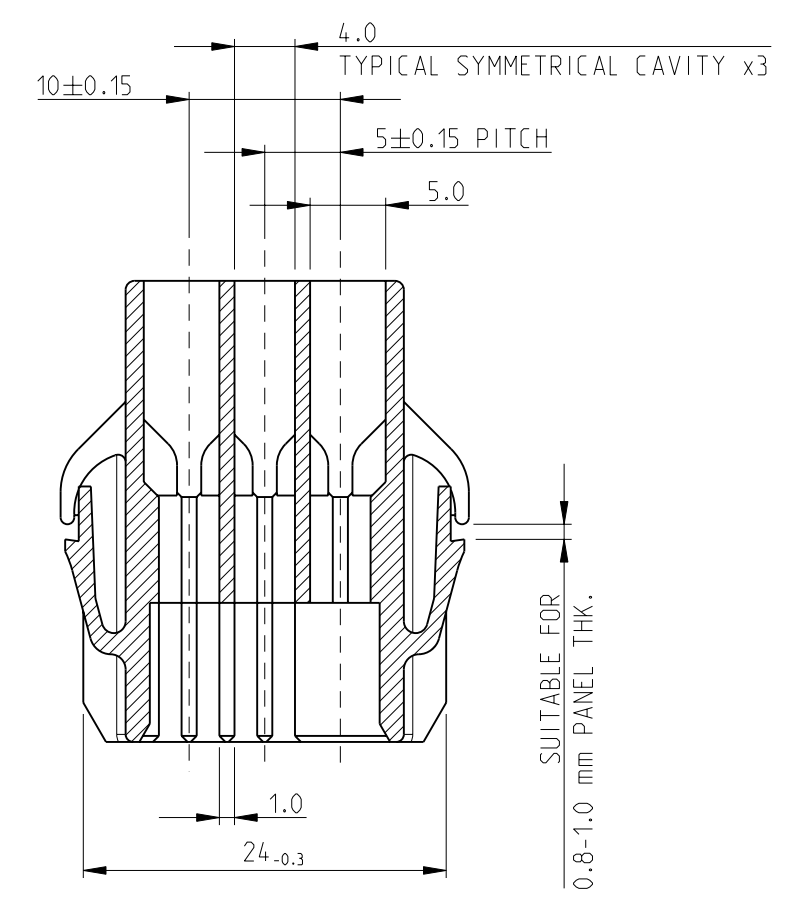


SCALE 1:1

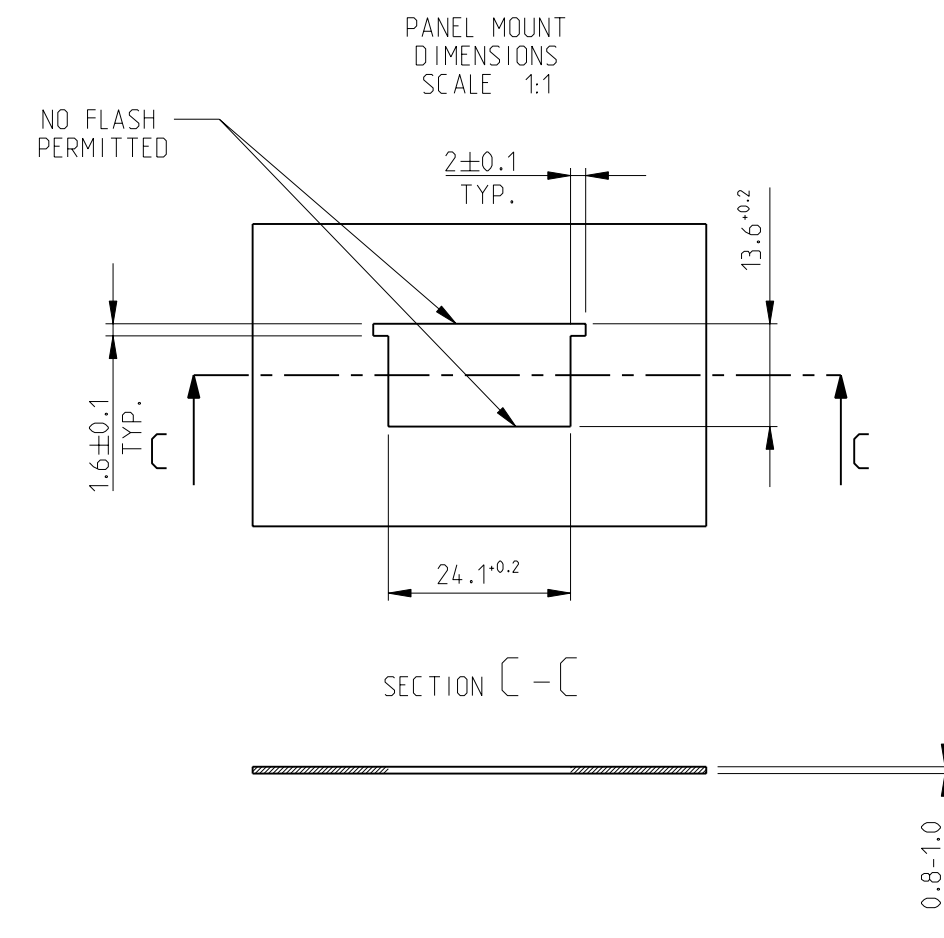
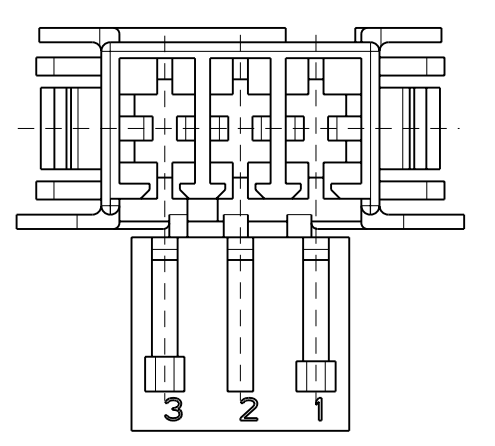
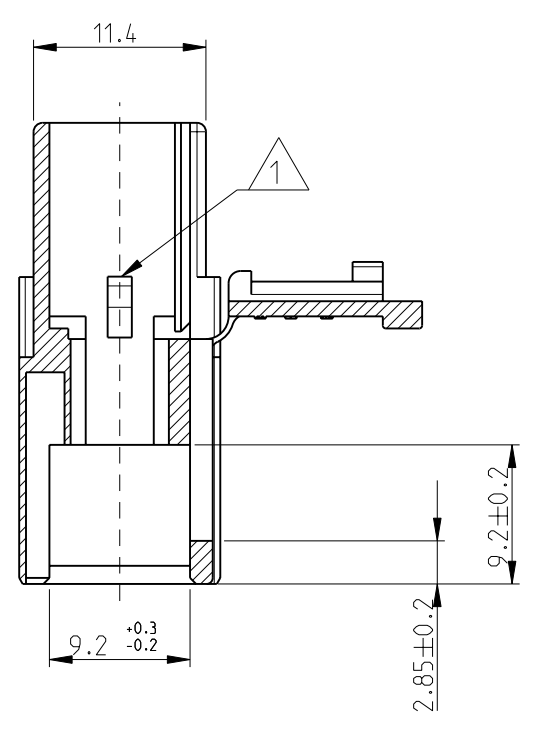
POLARIZATION KEYS SCHEME



SECTION A-A



SECTION B-B



- NOTES:
- 1 TYPICAL CAVITY SUITABLE FOR:  
 FASTIN-FASTON TAB CONTACTS 6.3 mm SRS:  
 P/N: 60294, 0.3-0.8 mm<sup>2</sup> WIRE RANGE  
 160691, 0.3-0.8 mm<sup>2</sup> WIRE RANGE  
 AMPLIVAR CONTACTS:  
 P/N: 141051, 0.1-0.5 mm<sup>2</sup> WIRE RANGE  
 142411, 0.3-1.6 mm<sup>2</sup> WIRE RANGE  
 MAX. INSULATION DIA. 2.8 mm,  
 MAX. INSULATION CRIMP WIDTH 3.3 mm.
  - 2 MATERIAL: PA 6 UNFILLED, UL94 V2  
 ACCORDING TO IEC-60335-1 NORMS
  - 3 CIRCUIT IDENTIFICATION NUMBERS, 1 TO 3
  - 4 POLARIZATION KEYS DIMENSIONS AND POSITIONS  
 ARE ACCORDING TO "RAST 5" NORM  
 RAST CODE 03-K
  - 5 GROOVE FOR LOCKING SPRING BETWEEN  
 CAVITY NO. 2 AND 3

PN 0-1 AS SHOWN

NATURAL	2	0-1955416-1
SURFACE / COLOR	MATERIAL	PART NO.

THIS DRAWING IS A CONTROLLED DOCUMENT FOR TYCO ELECTRONICS CORPORATION IT IS SUBJECT TO CHANGE AND THE CONTROLLING ENGINEERING ORGANIZATION SHOULD BE CONTACTED FOR THE LATEST REVISION.		DWN DHANESH.MK 13MAY2009	Tyco Electronics Corporation India (P) Ltd Bangalore, India	
DIMENSIONS: mm		CHK RAJENDRA 19MAY2009	NAME 3 POS. FASTIN-FASTON CONNECTOR TAB HOUSING, RAST 5	
TOLERANCES UNLESS OTHERWISE SPECIFIED:		APVD M.WESTEN 19MAY2009	PRODUCT SPEC 108-20256	
0 PLC ±0.2		APPLICATION SPEC		
1 PLC ±0.2		WEIGHT		
2 PLC ±		SIZE A2		
3 PLC ±		CAGE CODE 00779		
4 PLC ±		DRAWING NO 1955416		
ANGLES ±1°		RESTRICTED TO		
FINISH		SCALE 5:1		
MATERIAL		SHEET 1 OF 1		
2		REV A		
CUSTOMER DRAWING				