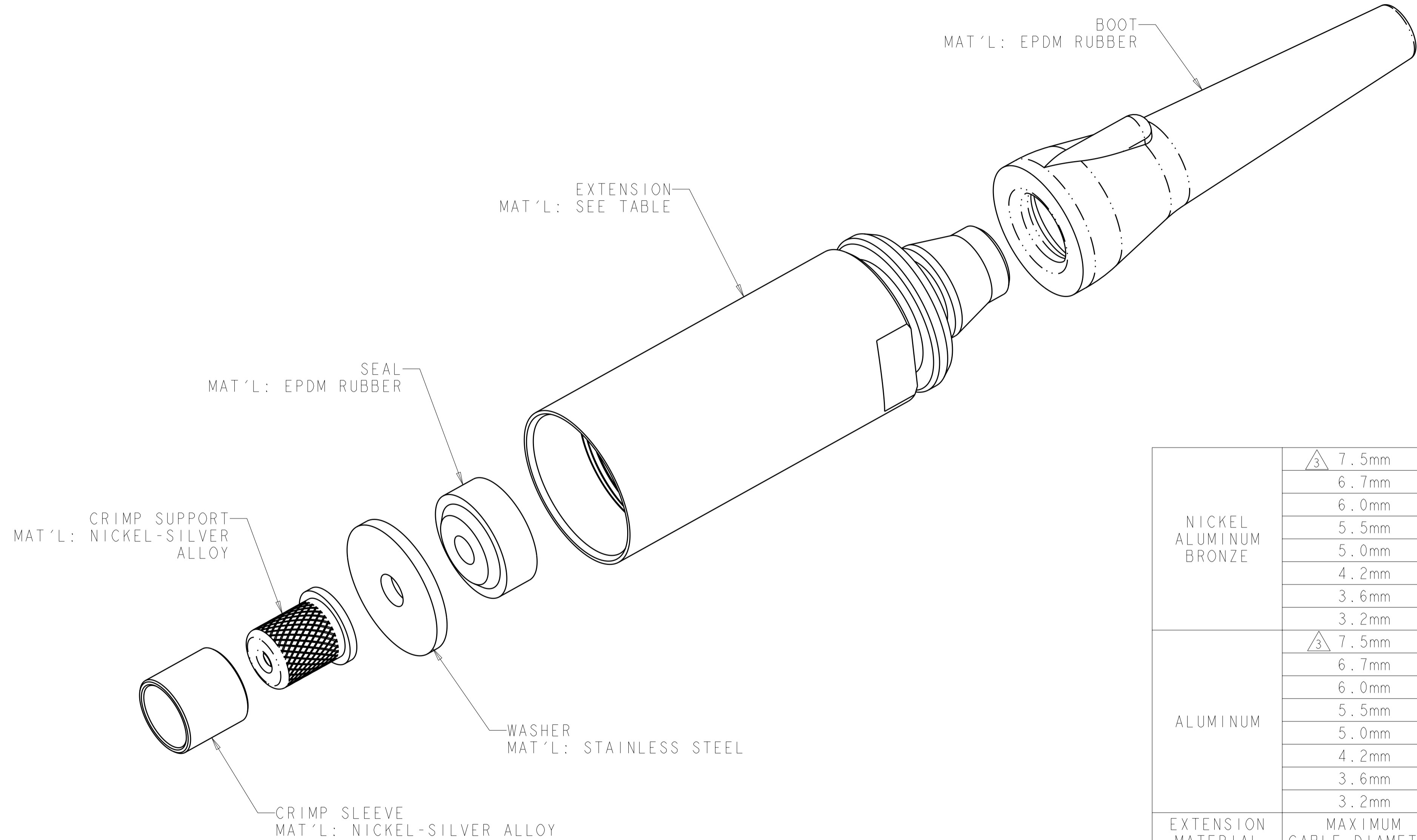


THIS DRAWING IS UNPUBLISHED. RELEASED FOR PUBLICATION 20
 © COPYRIGHT 20 BY TYCO ELECTRONICS CORPORATION. ALL RIGHTS RESERVED.

LOC	DIST	REVISIONS			
P	LTR	DESCRIPTION	DATE	DWN	APVD
CE	16				
	I	PPR 06-887	02JUN08	KG	DW
	A	ECR-08-027292	29OCT2008	KG	DW
	B	ECR-10-016577	11AUG2010	KG	DW



MATERIAL	MAXIMUM CABLE DIAMETER	PART NUMBER
NICKEL ALUMINUM BRONZE	$\triangle 3$ 7.5mm	1-1918931-6
	6.7mm	1-1918931-5
	6.0mm	1-1918931-4
	5.5mm	1-1918931-3
	5.0mm	1-1918931-2
	4.2mm	1-1918931-1
	3.6mm	1-1918931-0
ALUMINUM	$\triangle 3$ 7.5mm	1918931-8
	6.7mm	1918931-7
	6.0mm	1918931-6
	5.5mm	1918931-5
	5.0mm	1918931-4
	4.2mm	1918931-3
	3.6mm	1918931-2
EXTENSION MATERIAL	3.2mm	1918931-1

1. PACKAGED LOOSE PIECE.
 2. DIMENSIONS ARE FOR REFERENCE ONLY.
- $\triangle 3$ FOR USE WITH $\varnothing 7.5$ mm BREAKOUT CABLE WITH $\varnothing 2.15$ mm MAXIMUM JACKETED SUBUNITS.

THIS DRAWING IS A CONTROLLED DOCUMENT FOR TYCO ELECTRONICS CORPORATION. IT IS SUBJECT TO CHANGE AND THE CONTROLLING ENGINEERING ORGANIZATION SHOULD BE CONTACTED FOR THE LATEST REVISION.		DWN K. GLATFELTER 27OCT2006	Tyco Electronics Harrisburg, PA 17105-3608	
DIMENSIONS: mm		CHK D. WERTMAN 02JUN2008	NAME CABLE ADAPTER KIT, PLUG, PRO BEAM JR.	
TOLERANCES UNLESS OTHERWISE SPECIFIED: 0 PLC \pm 1 PLC \pm 2 PLC \pm 3 PLC \pm 4 PLC \pm ANGLES \pm		APVD D. WERTMAN 02JUN2008	RESTRICTED TO	
MATERIAL AS LISTED	FINISH HARD ANODIZE (AL ONLY)	PRODUCT SPEC -	SCALE 2:1	SHEET 1 OF 1 REV B
CUSTOMER DRAWING		WEIGHT -	SIZE A200779	DRAWING NO. C-1918931