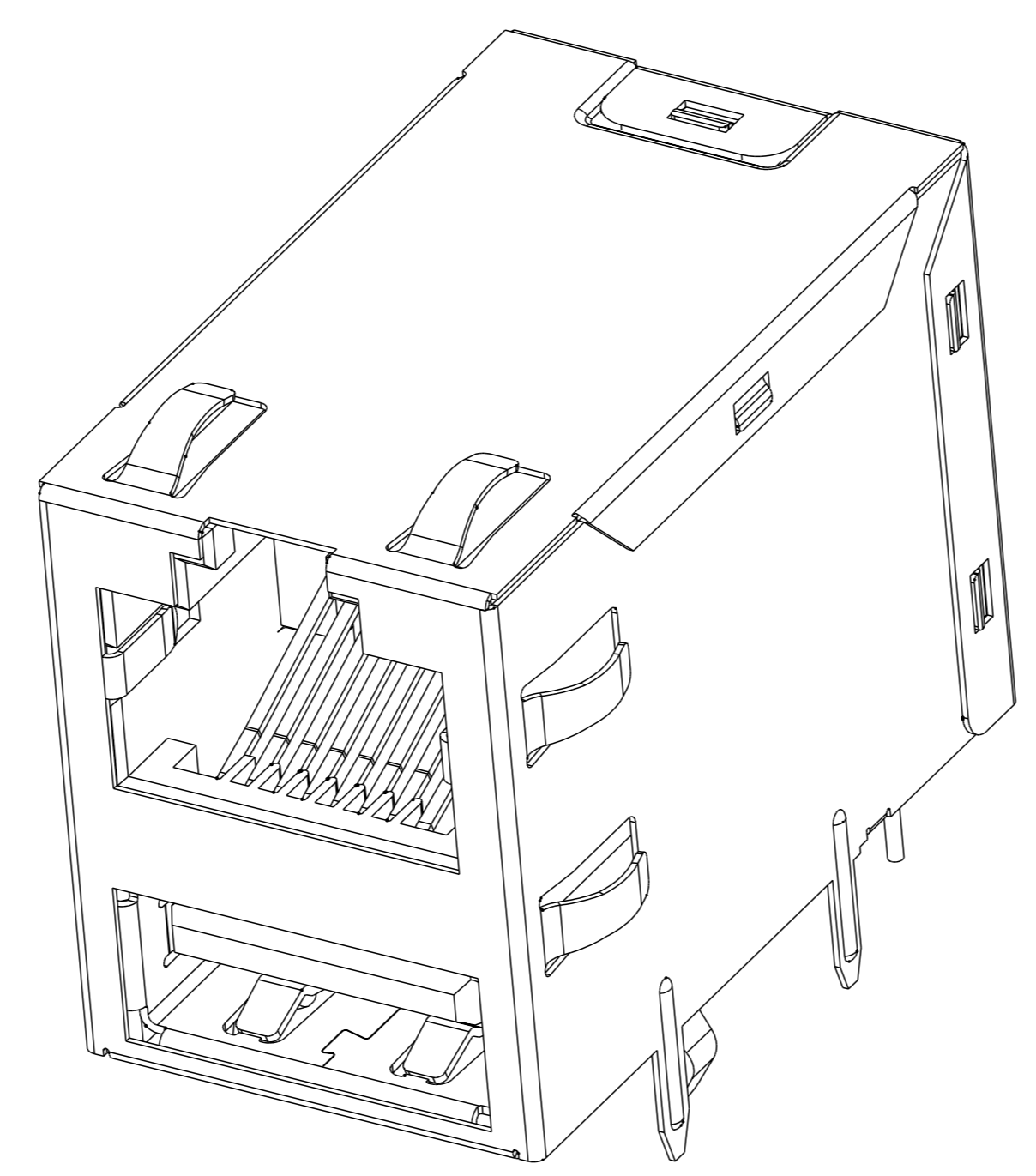
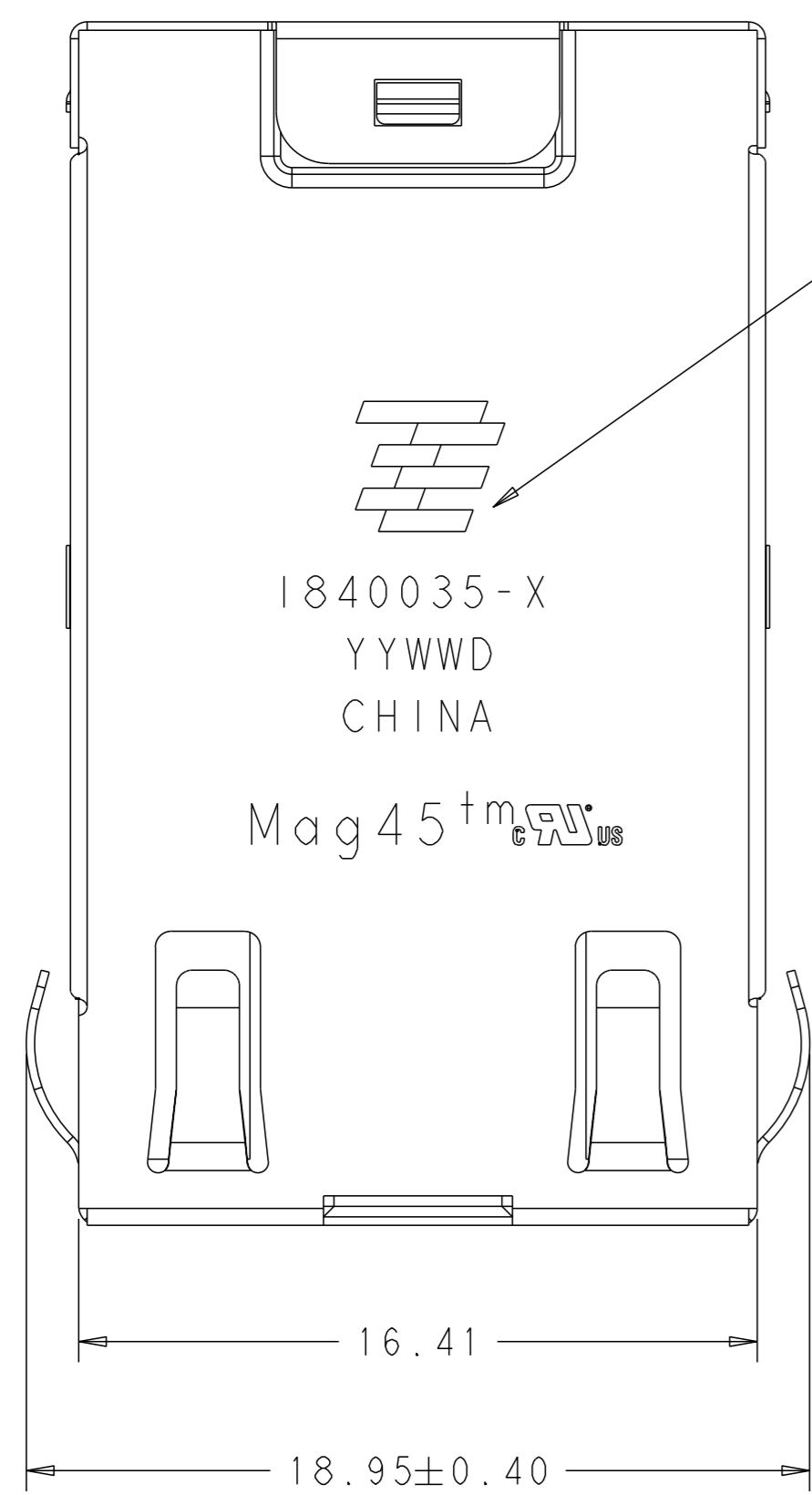


REVISIONS				
#	LY#	DESCRIPTION	DATE	OWN APVD
C		ECO-16-005052	01APR2016	LL SH



1. RJ45 MATERIALS

HOUSING: THERMOPLASTIC, BLACK, FLAMMABILITY RATED UL 94V-0  
 SHIELD : BRASS, 0.2 mm THICK, PREPLATED WITH MIN 0.76 um SEMI-BRIGHT NICKEL, POST DIPPED WITH 2.54 um MIN SAC SOLDER AT GROUND PINS.  
 CONTACT: PHOSPHOR BRONZE, WITH 1.27 um MIN OVERALL NICKEL UNDERPLATE AND SELECTIVE 1.27 um MIN GOLD PLATING AT MATING INTERFACE  
 SOLDER TAIL: COPPER STEEL, PLATED WITH 2.54 um MIN MATTE TIN

USB MATERIALS:  
 HOUSING: THERMOPLASTIC, FLAMMABILITY RATED UL94V-0  
 CONTACT: COPPER ALLOY WITH 0.76 MIN GOLD PLATING OVER 1.27 um MIN OVERALL NICKEL UNDERPLATE  
 SHELL : COPPER ALLOY, PREPLATED WITH MIN 0.76 um SEMI-BRIGHT NICKEL, 2.54 um TIN PLATED

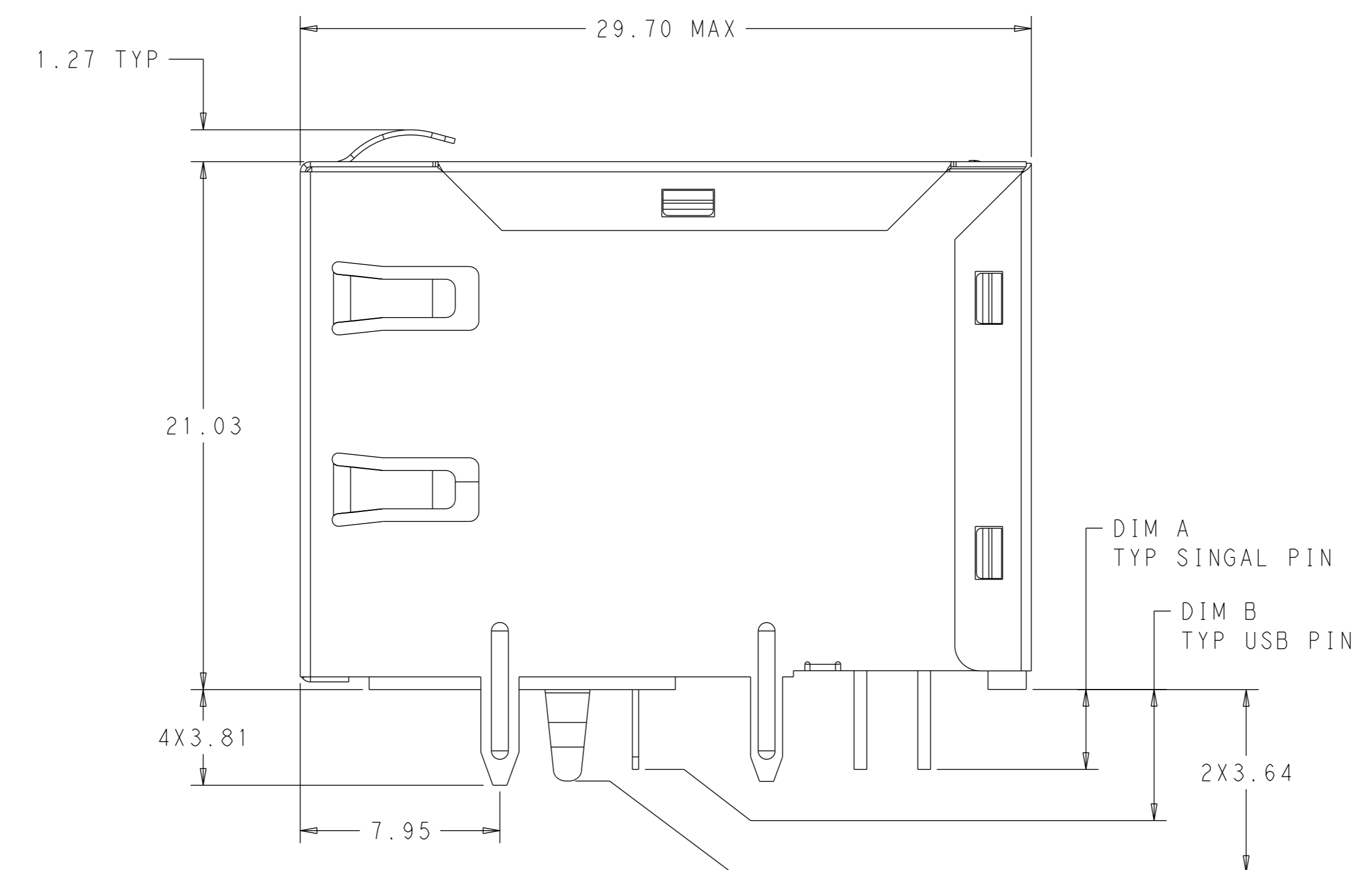
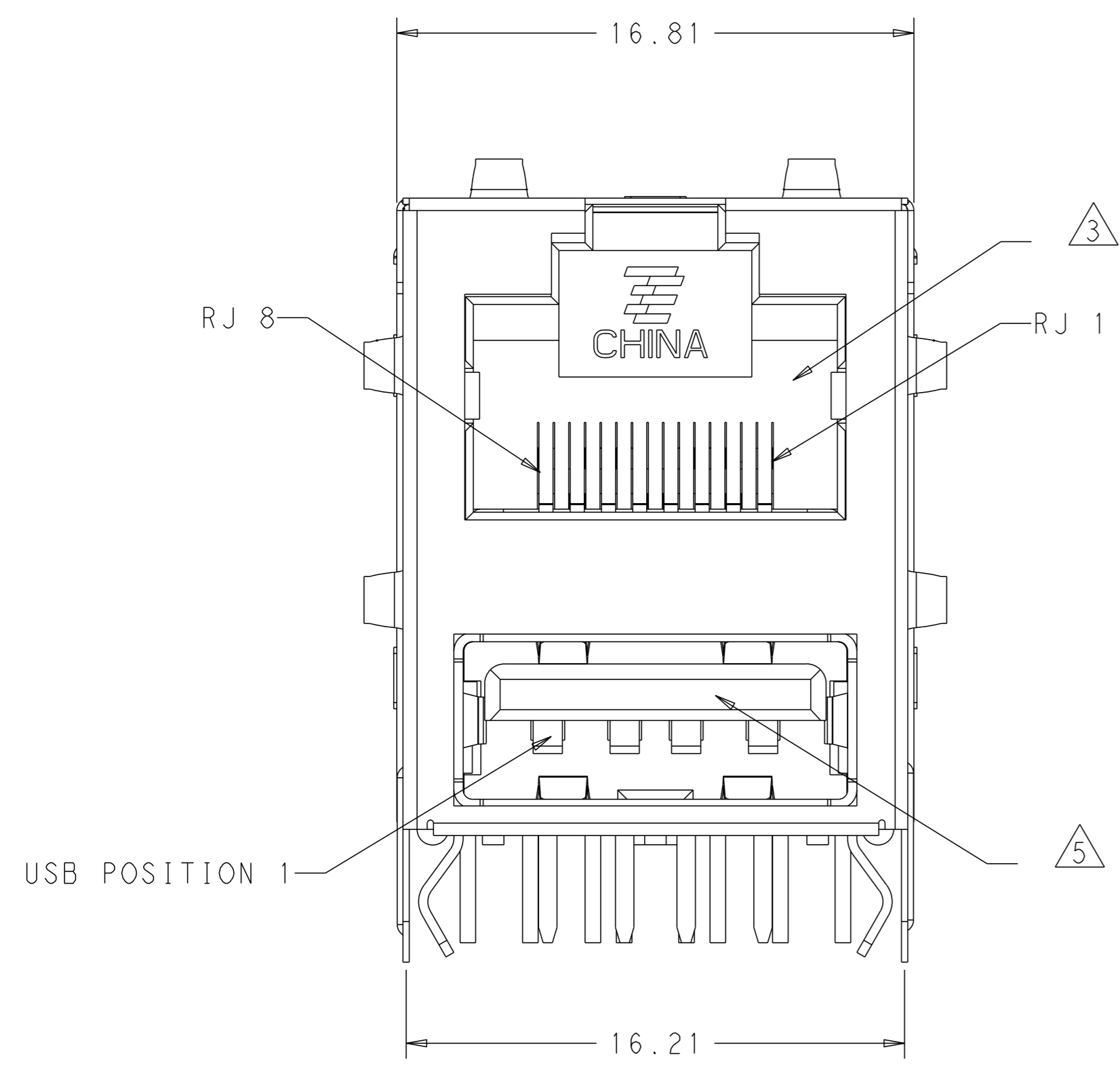
2. OPERATING TEMPERATURE -40°C TO +85°C.

3. RJ45 CAVITY CONFORMS TO FCC RULES AND REGULATION PART 68 SUBPART F.

4. TE CONNECTIVITY LOGO, PART NUMBER, DATE CODE, COUNTRY OF ORIGIN AND AGENCY LOGO TO BE MARKED IN APPROXIMATE LOCATION SHOWN.

5. MATING INTERFACE COMPLIES WITH USB SPECIFICATION REV 2.0.

6. THESE PARTS ARE RECOMMENDED FOR WAVE SOLDERING PROCESS, PREHEAT TEMPERATURE IS 120°C TO 160°C, 120 SECONDS TO 180 SECONDS, PEAK WAVE SOLDERING TEMPERATURE IS 260°C MAX, 10 SECONDS MAX.



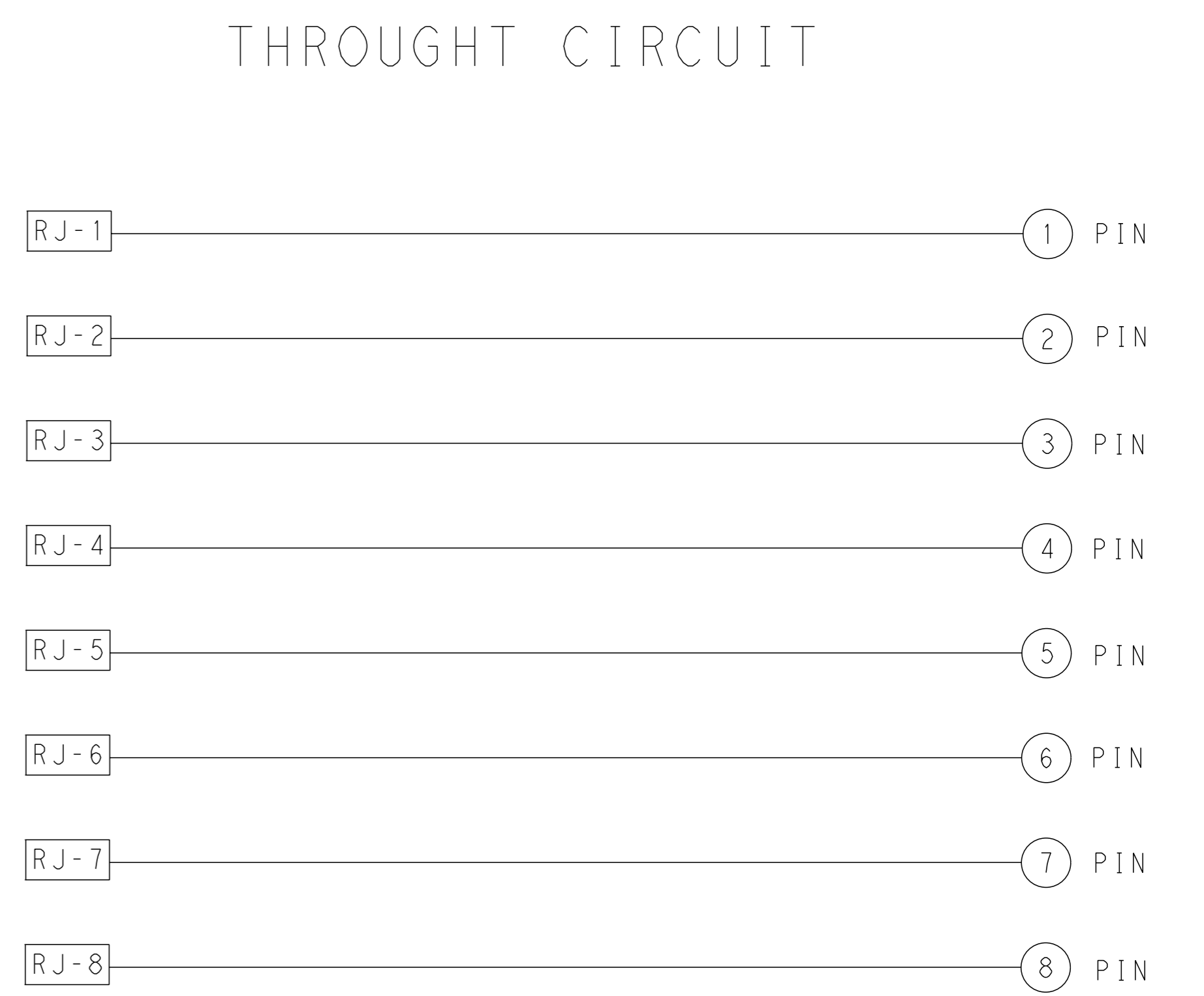
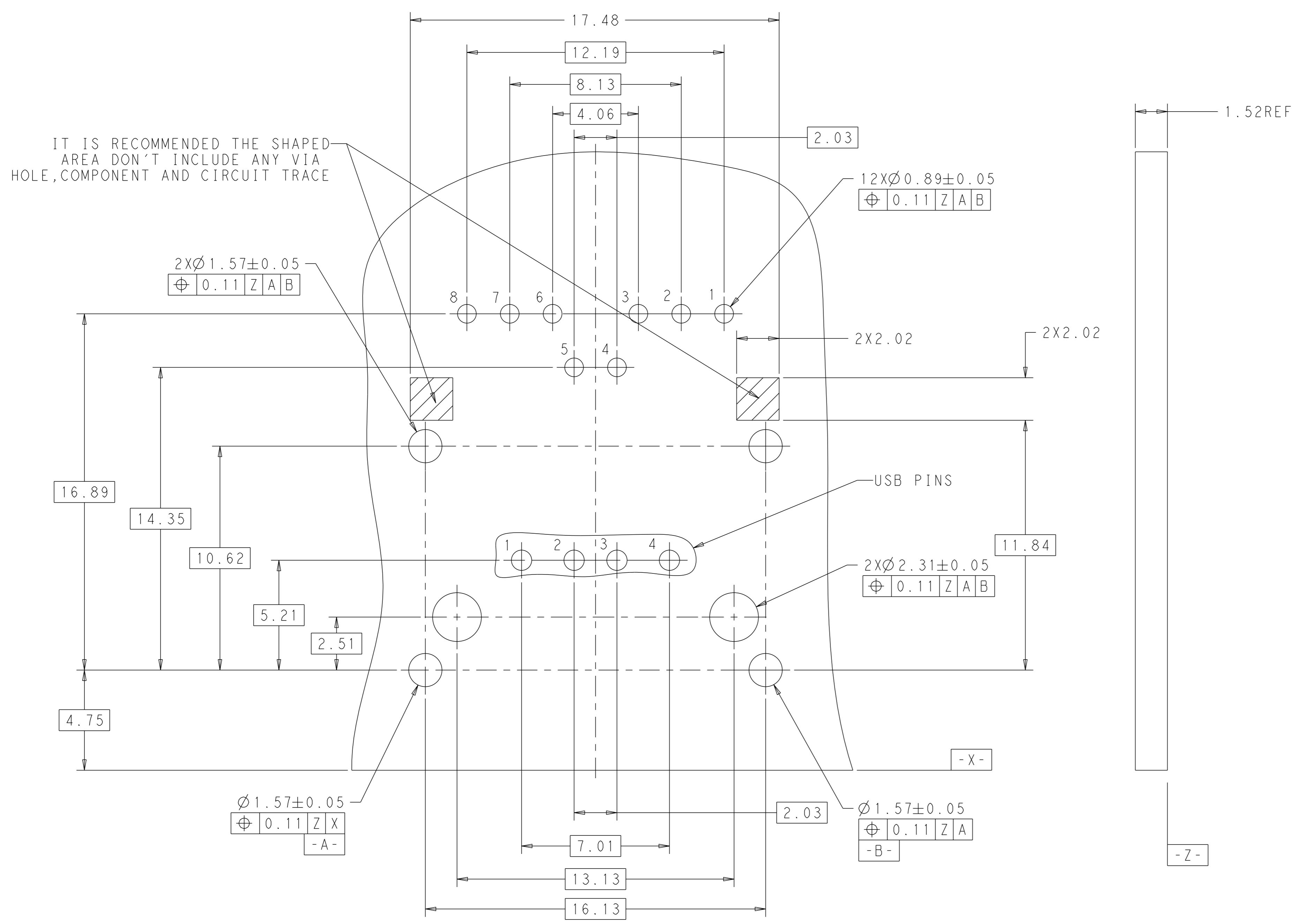
OBSELETE	3.81	3.81	1840035-2
	3.18	3.18	1840035-1
	DIM B	DIM A	PART NO.

THIS DRAWING IS A CONTROLLED DOCUMENT.

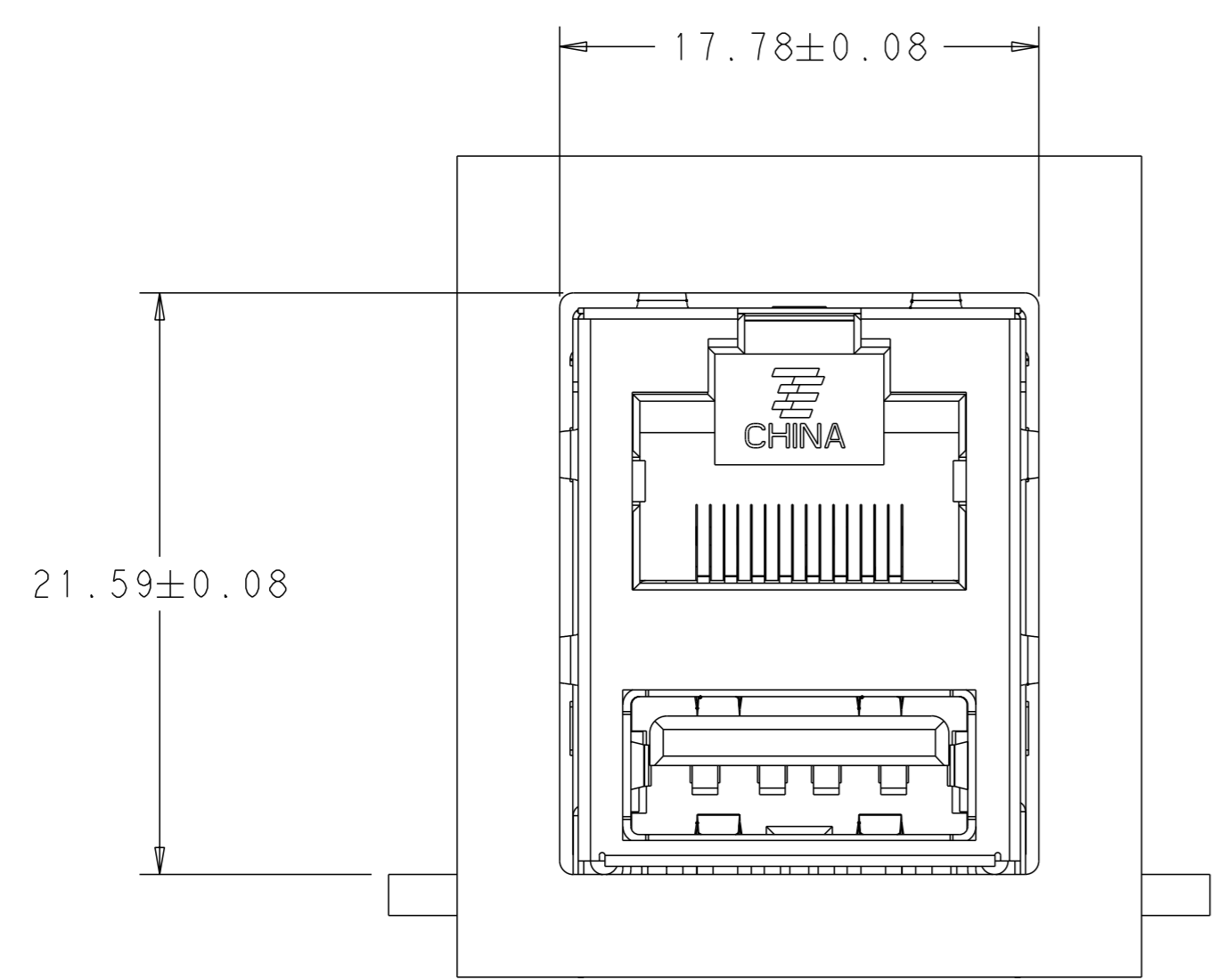
DIMENSIONS:	TOLERANCES UNLESS OTHERWISE SPECIFIED:	OWN: WILLIAM/COLIN	DATE: 08DEC2010
mm	0 PLC ±	CHK: TOWER YU	DATE: 08DEC2010
	1 PLC ±	APVD: KEITH ZHU	NAME: RJ45(TM) OVER SINGLE USB THROUGH CIRCUIT, W/O LEDS
	2 PLC ±0.25	PRODUCT SPEC	108-104005
	3 PLC ±0.25	APPLICATION SPEC	
	4 PLC ±	SIZE	CAGE CODE DRAWING NO
	ANGLES	WEIGHT	RESTRICTED TO
	FINISH	CUSTOMER DRAWING	A100779C=1840035

SCALE 5:1 SHEET 1 OF 2 REV C

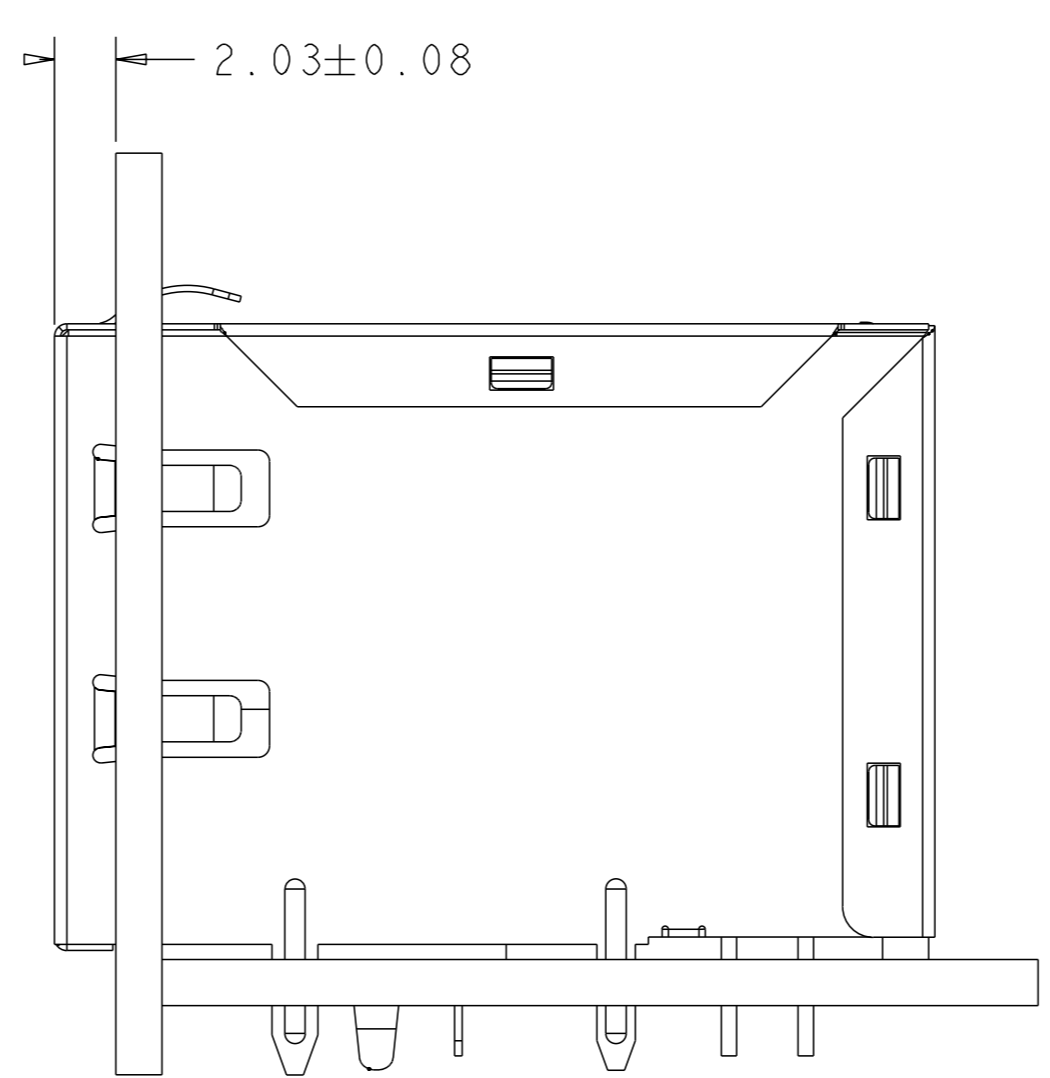
REVISIONS				
REV	DATE	DESCRIPTION	OWN	APPV
1		SEE SHEET 1		



RECOMMENDED PCB LAYOUT (TOL: ±0.10)  
COMPONENT SIDE



SUGGESTED PANEL CUT-OUT



THIS DRAWING IS A CONTROLLED DOCUMENT.		OWN: WILLIAM/COLIN 08DEC2010	TE Connectivity
DIMENSIONS: mm		CHK: TOWER YU 08DEC2010	
TOLERANCES UNLESS OTHERWISE SPECIFIED:		APVD: KEITH ZHU 08DEC2010	NAME: RJ45(TM) OVER SINGLE USB THROUGH CIRCUIT, W/O LEDS
0 PLC ±	1 PLC ±	PRODUCT SPEC: 108-104005	SIZE: A1
2 PLC ±0.25	3 PLC ±0.25	APPLICATION SPEC:	CAGE CODE: 1840035
4 PLC ±	ANGLES ±	FINISH: *	RESTRICTED TO: -
MATERIAL: -	FINISH: -	WEIGHT: -	CUSTOMER DRAWING
SCALE: 5:1		SHEET: 2 OF 2	REV: C