

THIS DRAWING IS UNPUBLISHED. RELEASED FOR PUBLICATION
 © COPYRIGHT BY TYCO ELECTRONICS CORPORATION. ALL RIGHTS RESERVED.

| LOC | DIST | REVISIONS | | | |
|-----|------|-------------|---------------|---------|--------|
| P | LTR | DESCRIPTION | DATE | DWN | APVD |
| AD | 00 | A | ECO 05 003709 | 23MAR06 | BSV MS |

SPECIFICATIONS:
 MAKE-BEFORE-BREAK

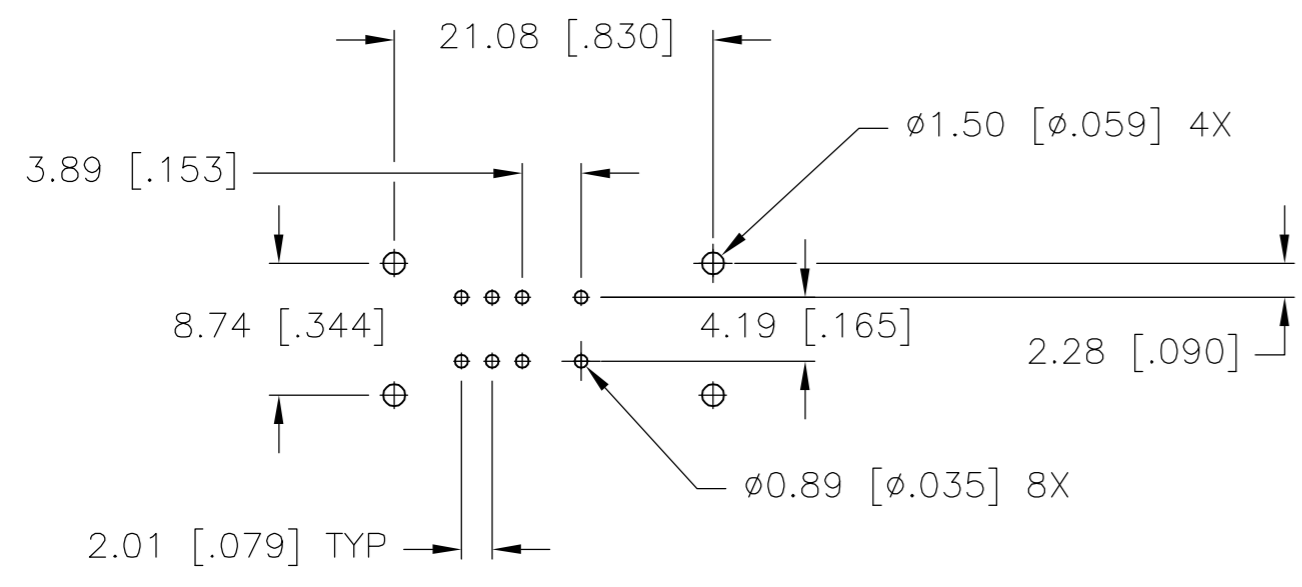
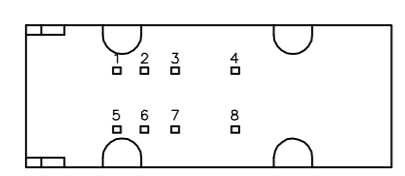
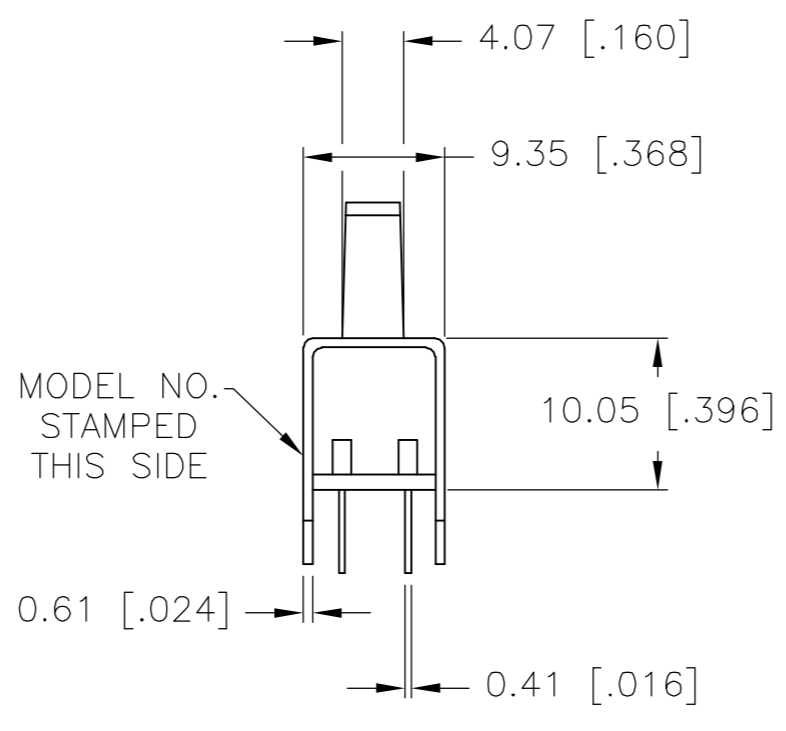
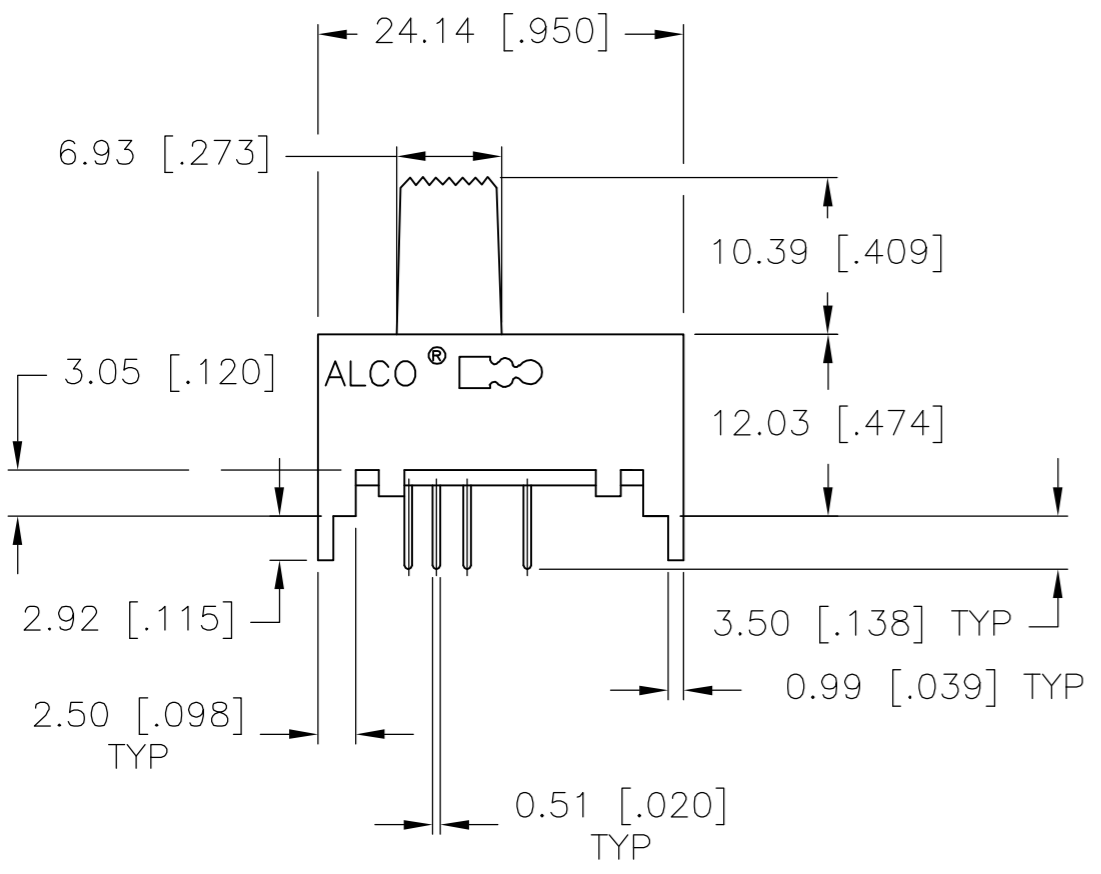
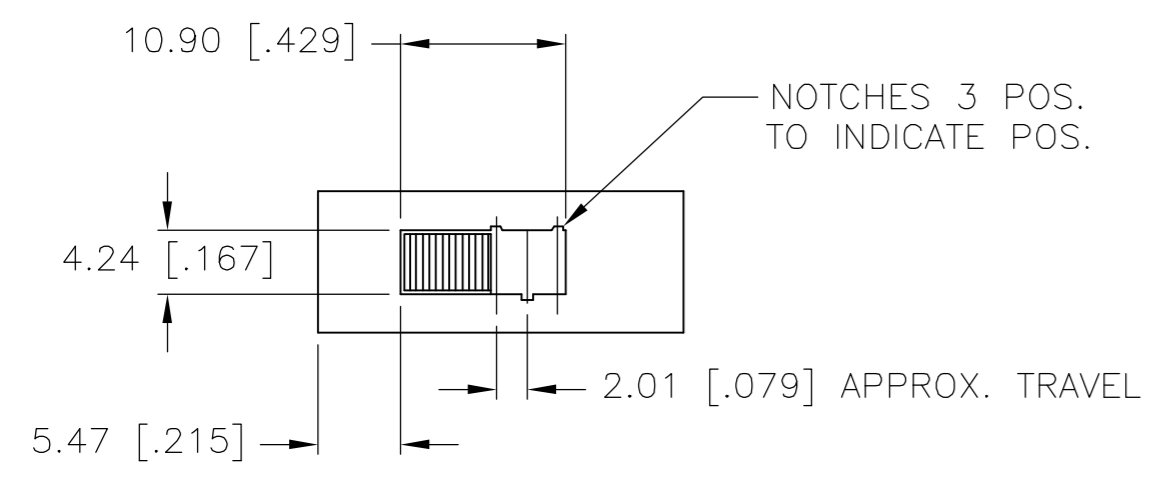
MATERIALS:
 ACTUATOR - NYLON 66 UL94V-0, BLACK
 FRAME - TIN PLATED STEEL
 TERMINAL BOARD - PHENOLIC LAMINATE UL94HB, NATURAL
 TERMINAL (SILVER) - COPPER ALLOY- SILVER OVER NICKEL PLATE
 TERMINAL (GOLD) - COPPER ALLOY- TIN OVER NICKEL PLATE
 FIXED CONTACT (SILVER) - COPPER ALLOY- SILVER OVER NICKEL PLATE
 FIXED CONTACT (GOLD) - COPPER ALLOY-GOLD OVER NICKEL PLATE
 MOVING CONTACT (SILVER) - COPPER ALLOY- SILVER OVER NICKEL PLATE
 MOVING CONTACT (GOLD) - COPPER ALLOY-GOLD OVER NICKEL PLATE
 DETENT BALL - STAINLESS STEEL
 COIL SPRING - TEMPERED STEEL WIRE
 SEAL - EPOXY

ELECTRICAL:
 CONTACT RATING - .4VA@20VDC OR PEAK AC (GOLD)
 300mA@125V AC (SILVER)
 INITIAL CONTACT RESISTANCE - 30milliohm max.
 FINAL CONTACT RESISTANCE - 100milliohm max> (AFTER TEST)
 INSULATION RESISTANCE - 1,000Megohms min."
 DIELECTRIC STRENGTH - 500V RMS@SEA LEVEL
 LIFE EXPECTANCY - 15,000 CYCLES MIN."

MECHANICAL:
 ACTUATION FORCE - 600±300 GRAMS
 TRAVEL - 2.00±0.51[.079±.020]

ENVIRONMENTAL:
 OPERATING TEMPERATURE - -20 TO +85 DEGREES C
 STORAGE TEMPERATURE - -40 TO +100 DEGREES C
 RESISTANCE TO SOLDER HEAT PER 109-202, CONDITION B
 SOLDERABILITY PER EIA- 364-52, CLASS 2, CATEGORY 1, 95% MIN COVERAGE

NOTES:
 1. ALL MATERIALS AND FINISHES SHALL COMPLY WITH EU DIRECTIVE 2002 95/EC OF 27JAN2003 (ROHS).
 2. ANTI SOLDER WICK SEAL AT TERMINAL TO BOARD INTERFACE.



RECOMMENDED HOLE LAYOUT
 TOLERANCE ±.002 UNLESS OTHERWISE NOTED

| 1,3&5,7 | 2,3&6,7 | 3,4&7,8 | DP3T | GOLD | MSSA2350G04 | 1825198-2 |
|-------------------|---------|---------|-------------------|-----------------|-------------|-----------|
| 1,3&5,7 | 2,3&6,7 | 3,4&7,8 | DP3T | SILVER | MSSA235004 | 1825198-1 |
| | | | TYPE | CONTACT PLATING | ALCO P/N | TYCO P/N |
| LEFT CENTER RIGHT | | | ACTUATOR POSITION | | | |

| | | | | | | |
|--|--|-----------------------------|---------|---|--|--|
| THIS DRAWING IS A CONTROLLED DOCUMENT. | | DWN TRU-D | 20JUN96 | tyco Tyco Electronics Corporation Harrisburg, PA 17105-3608 | | |
| DIMENSIONS: mm [INCHES] | | CHK - | APVD - | NAME - | | |
| TOLERANCES UNLESS OTHERWISE SPECIFIED: | | PRODUCT SPEC - | | APPLICATION SPEC - | | |
| 0 PLC ± - | | WEIGHT - | | SIZE A2 | | |
| 1 PLC ± - | | MATERIAL SEE SPECIFICATIONS | | CAGE CODE 00779 | | |
| 2 PLC ± 0.25[.010] | | FINISH SEE SPECIFICATIONS | | DRAWING NO C=1825198 | | |
| 3 PLC ± - | | CUSTOMER DRAWING | | RESTRICTED TO - | | |
| 4 PLC ± - | | SCALE 2:1 | | SHEET 1 of 1 | | |
| ANGLES ± - | | REV A | | REV A | | |