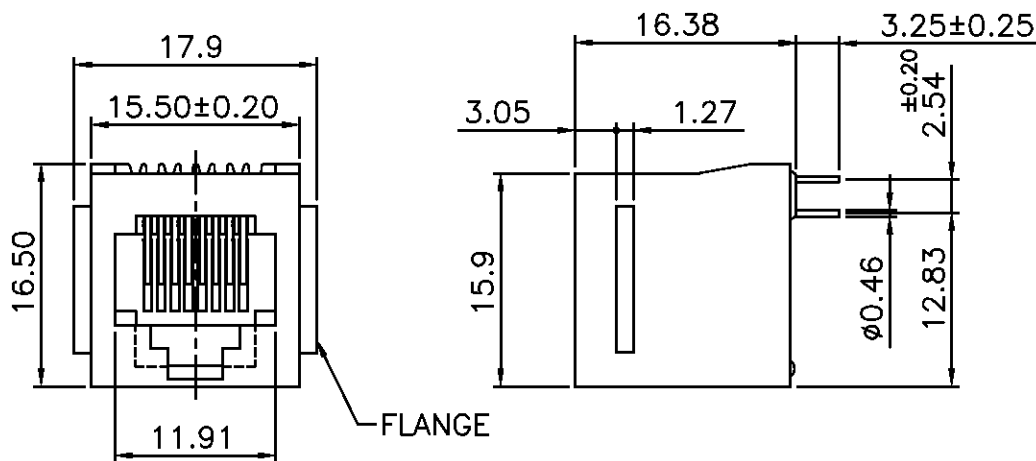
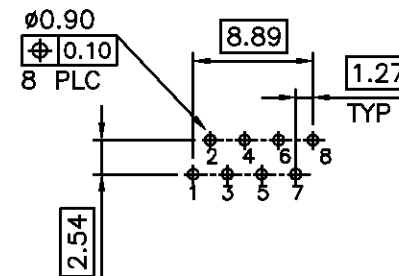
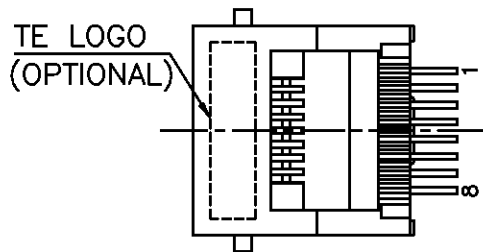


LOC	DIST	REVISIONS			
P	LTR	DESCRIPTION	DATE	DWN	APVD
		A2	REVISED PER ECO-09-026495	01DEC09	KK AEG



HOUSING'S MATERIAL	MIN. GOLD THICKNESS	PART NUMBER
NYLON 46 ▲	1.27µm [50µ"]	1-1775089-4
	0.762µm [30µ"]	1-1775089-3
	0.381µm [15µ"]	1-1775089-2
PBT ▲	0.152µm [6µ"]	1-1775089-1
	1.27µm [50µ"]	▲1775089-4
	0.762µm [30µ"]	1775089-3
	0.381µm [15µ"]	▲1775089-2
	0.152µm [6µ"]	1775089-1

- NOTE:
- MATERIAL:
HOUSING: THERMOPLASTIC (SEE TABLE), UL94V-0, COLOR: BLACK.
CONTACT: PHOSPHOR BRONZE, THICKNESS: 0.46mm.
 - FINISH:
CONTACT: GOLD PLATED (SEE TABLE) IN CONTACT AREA,
1.27µm [50µ"] MIN. NICKEL UNDER PLATED ALL OVER.
- ▲ WAVE SOLDER CAPABLE TO 240° C PER TE SPEC 109-202, CONDITION A.
 - ▲ REFLOW SOLDER CAPABLE TO 260° C PER TE SPEC 109-201, CONDITION B.
 - ▲ OBSOLETE PARTS: OBSOLETE CIS STREAMLINING PER D.RENAUD/D.SINISI

THIS DRAWING IS A CONTROLLED DOCUMENT.

DWN S. CHIEN 10FEB2008	Tyco Electronics Tyco Electronics Corporation Taipei, Taiwan
CHK S. HOU 10FEB2008	
APVD W. KODAMA 10FEB2008	NAME
PRODUCT SPEC 108-57535	MODULAR JACK, RJ45, LOW PROFILE, V/R
QUALIFICATION TEST REPORT 501-57614	SIZE CAGE CODE DRAWING NO RESTRICTED TO
WEIGHT 3.5 GRAMS	A3 00779 C=1775089
CUSTOMER DRAWING	SCALE SHEET 1 OF 2 REV A2

4

3

2

1

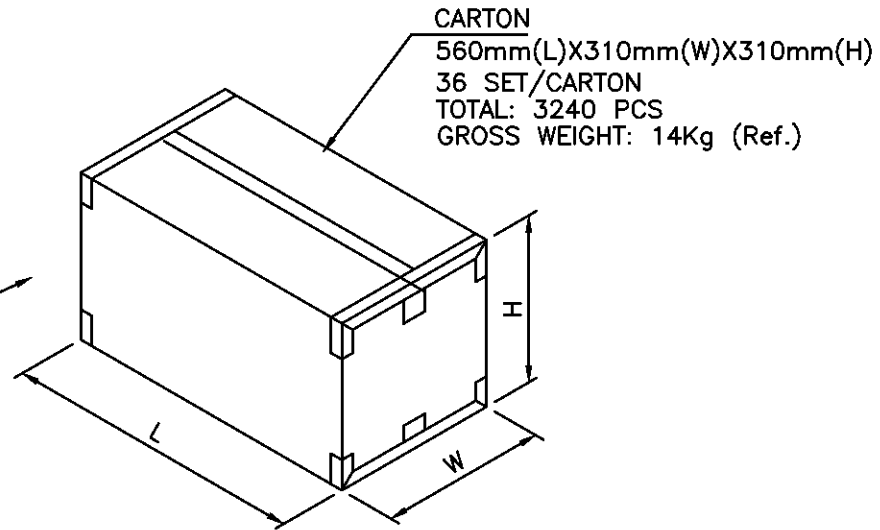
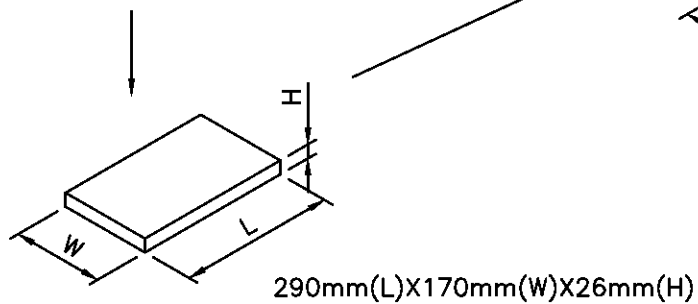
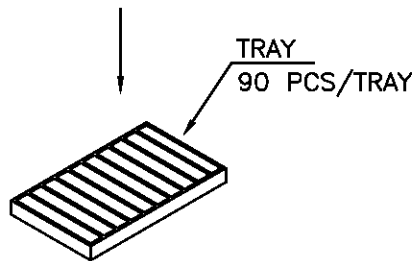
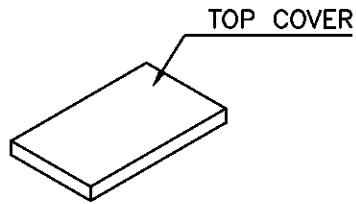
THIS DRAWING IS UNPUBLISHED. RELEASED FOR PUBLICATION AUG. 2006.

© COPYRIGHT BY TE ELECTRONICS CORPORATION. ALL RIGHTS RESERVED.

LOG DW
DIST

REVISIONS

P	CHR	DESCRIPTION	DATE	DWN	APVD
		SEE SHEET 1.			



THIS DRAWING IS A CONTROLLED DOCUMENT.		DWN	Tyco Electronics Corporation Taipi, Taiwan	
DIMENSIONS: MM		CHK	NAME	
TOLERANCES UNLESS OTHERWISE SPECIFIED:		APVD	MODULAR JACK, RJ45, LOW PROFILE, V/R	
0 PLC ± -		PRODUCT SPEC	SIZE	CAGE CODE
1 PLC ± -		APPLICATION SPEC	A3	00779
2 PLC ± -		WEIGHT	DRAWING NO	
3 PLC ± -		CUSTOMER DRAWING	C=1775089	
4 PLC ± -		SCALE	RESTRICTED TO	
4 PLC ANGLES ± -		SHIRT	2 OF 2	
MATERIAL	FINISH	REV		