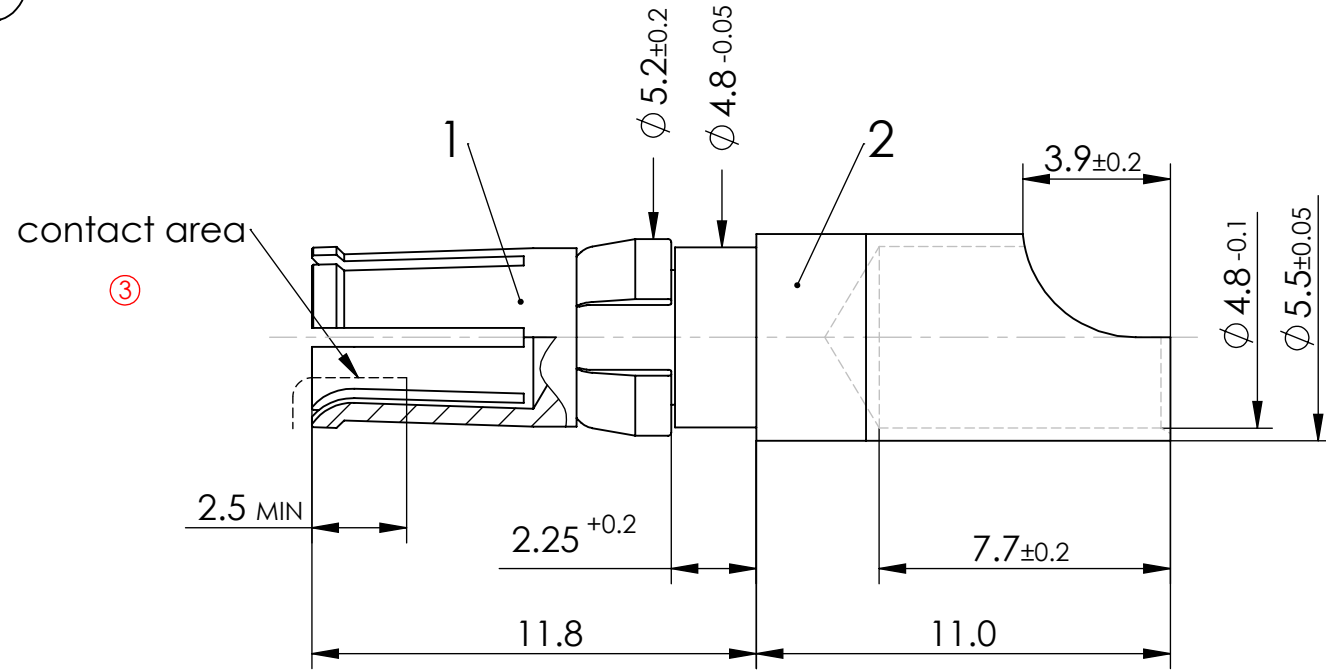
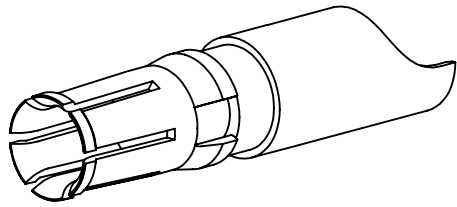


COMMENT:
 ALL RIGHTS ARE RESERVED BY US FOR THIS DRAWING. WITHOUT OUR PRIOR CONSENT,
 IT MAY NEITHER BE DUPLICATED NOR MADE AVAILABLE TO A THIRD PARTY,
 AND IT ALSO MAY NOT BE IMPROPERLY USED BY THE RECEIVER, OR A THIRD PARTY.



CURRENT	40 A	HIGH POWER CONTACT	SCALE	5:1	DATA SHEET	②
FOR	D-Sub		NAME / DATE			
DIMENSIONS IN MM		DRAWN	DBocan 02-04-2003			
MATERIAL + FINISH SEE EXTRA SHEET		CHECKED	MTeubel 08-08-2006			
UNLESS OTHERWISE SPECIFIED DIMENSIONS FOR REFERENCE ONLY					PART NO.	REV.
3	08-08-2006	11399			FMP007S	3
REV.	DATE	INDEX	ORIGINAL: DIN A4-DRAWING AS A FILE		REPLACEMENT FOR:	PAGE: 1/1