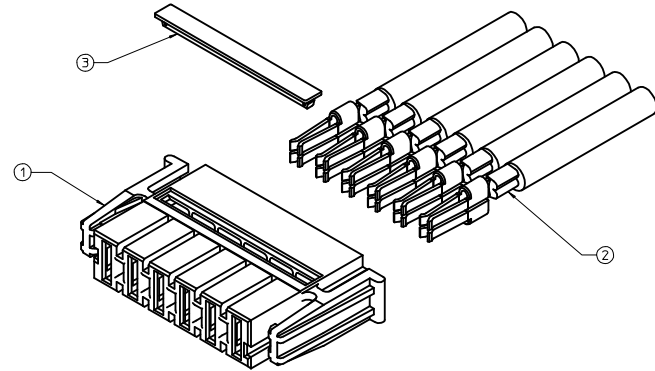
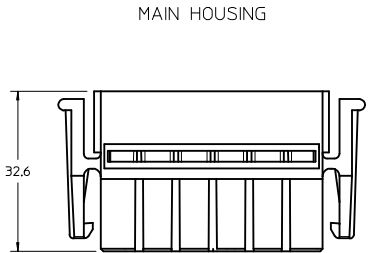


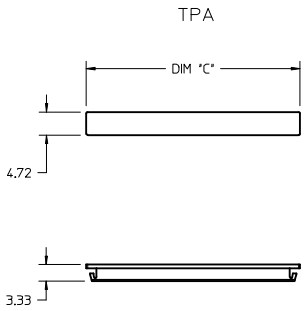
CKT SIZE	① MAIN HOUSING	② POWER TERMINAL	③ TPA	DIMENSION " A "	DIMENSION " B "	DIMENSION " C "
	MATERIAL: PBT, UNFILLED	MATERIAL: COPPER ALLOY FINISH: TIN OVER NICKEL W/SELECT GOLD	MATERIAL: PBT, FILLED			
2P	172509-0222	173693-****	46708-3200	15.32	32.66	13.65
3P	172509-0223	173693-****	46708-3300	22.82	40.16	21.15
4P	172509-0224	173693-****	46708-3400	30.32	47.66	28.65
5P	172509-0225	173693-****	46708-3500	37.82	55.16	36.15
6P	172509-0226	173693-****	46708-3600	45.32	62.66	43.65



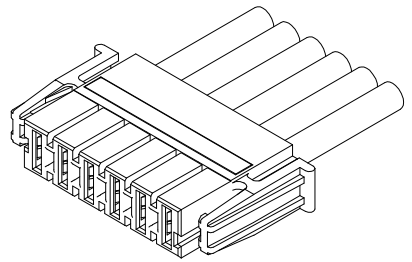
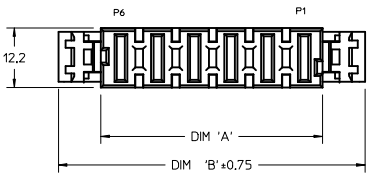
EXPLODED VIEW



MAIN HOUSING



TPA



- NOTES:
- SEE CHART FOR MATERIAL DETAILS
 - PART MATES TO MOLEX PLUG SERIES 172452
 - ASSEMBLY SHOWN FOR REFERENCE ONLY. EACH ITEM HAS TO BE ORDERED SEPARATELY.
 - SEE SD-173693-001 FOR POWER TERMINAL DETAILS.

CHG TRML P/N IEC NO: UCP2016-4071 DRWN: JSCHAFFER 2016/04/18 CHYD: APPR: BPI SZCZOR 2016/10/03 REV:	QUALITY SYMBOLS	GENERAL TOLERANCES (UNLESS SPECIFIED)	DIMENSION STYLE	SCALE	DESIGN UNITS	THIRD ANGLE PROJECTION
	▽=0	4 PLACES ±--- ±---	MM ONLY	2:1	METRIC	ASSEMBLY
	▽=0	3 PLACES ±--- ±---	INCH			TEN60 POWER ONLY
	▽=0	2 PLACES ±0.13 ±---				2-6 CKTS
	1 PLACE ±0.25 ±---	ANGULAR ±1/2°	SEE CHART			molex
	0 PLACE ±--- ±---	DRAFT WHERE APPLICABLE MUST REMAIN WITHIN DIMENSIONS				DOCUMENT NO. SD-172509-001
						SHEET NO. 1 OF 1