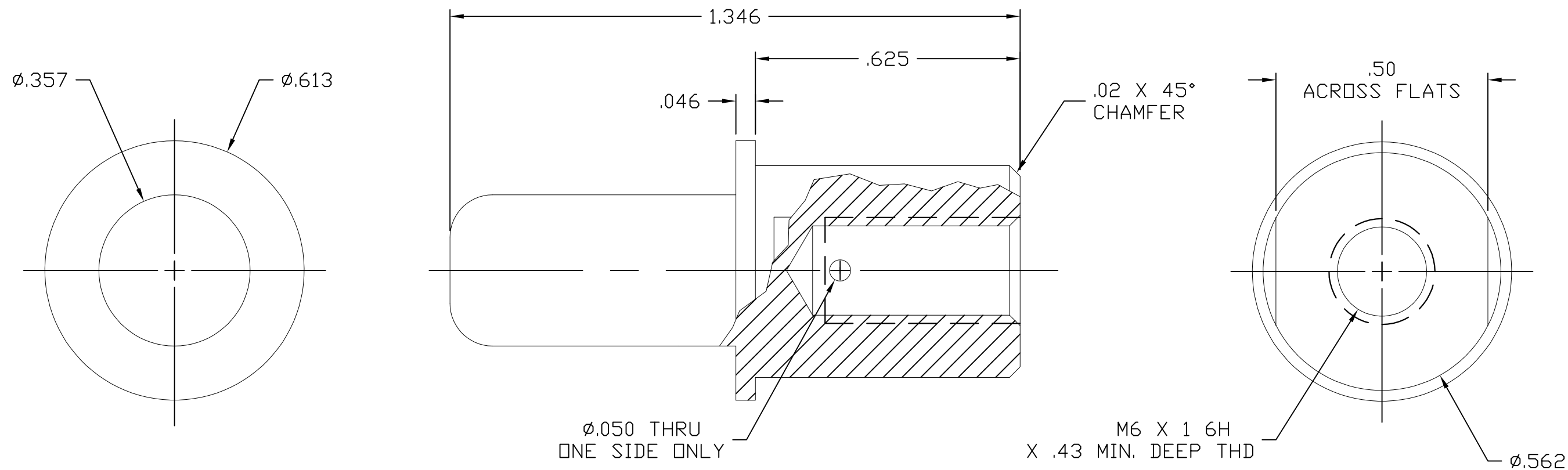


THIS DRAWING IS UNPUBLISHED. RELEASED FOR PUBLICATION
 © COPYRIGHT BY TYCO ELECTRONICS CORPORATION. ALL INTERNATIONAL RIGHTS RESERVED.

LOC	DIST	REVISIONS					
GP	00	P	LTR	DESCRIPTION	DATE	DWN	APVD
			F	REV PER ECO-08-008886	12AUG08	RG	DO



4. FINISH:
GOLD PLATED .000030 MIN THK. OVER NICKEL OVER NICKEL .000050 MIN THK.
3. MATERIAL: TELLURIUM COPPER ALLOY C14500 PER ASTM B301.
2. ITEMS PROVIDED TO THIS SPECIFICATION SHALL BE IDENTIFIED ON THE CONTAINER WITH THE FOLLOWING INFORMATION:
PART NUMBER AND DATE CODE OF MANUFACTURE.
1. PART NUMBER CHANGES AND OR DESIGN CHANGES AFFECTING ITEM INTERCHANGEABILITY REQUIRE PRIOR TYCO ELECTRONICS APPROVAL AND AUTHORIZATION BY REVISION TO THIS DRAWING.

AS SHOWN	1650280-3
DESCRIPTION	PART NUMBER

THIS DRAWING IS A CONTROLLED DOCUMENT.		DWN	12AUG2008	Tyco Electronics Corporation	
		CHK	-	Harrisburg, PA 17105-3608	
DIMENSIONS: INCHES		APVD	12AUG08	NAME	
TOLERANCES UNLESS OTHERWISE SPECIFIED:		CHAU/PERCHERKE		PIN CONTACT, SIZE No. 0	
0 PLC ± -		PRODUCT SPEC		M6 X 1 INT. THD, SINGLE CROWN	
1 PLC ± -		APPLICATION SPEC		PN: 711-23-02107/711-23-02109	
2 PLC ± .02		WEIGHT	-	SIZE	CAGE CODE
3 PLC ± .010				A3	00779
4 PLC ± -				DRAWING NO	
ANGLES ± -				C-1650280	
FINISH				RESTRICTED TO	
-				-	
CUSTOMER DRAWING			SCALE	SHEET	REV
			4:1	1 OF 1	F