

DESCRIPTION: 0.085 RIBBON - SOLDER CUP

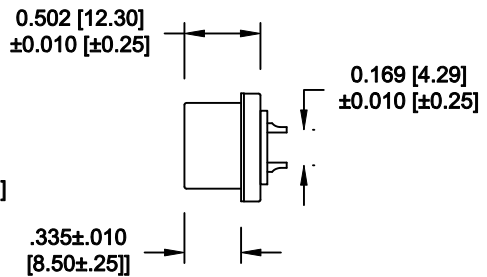
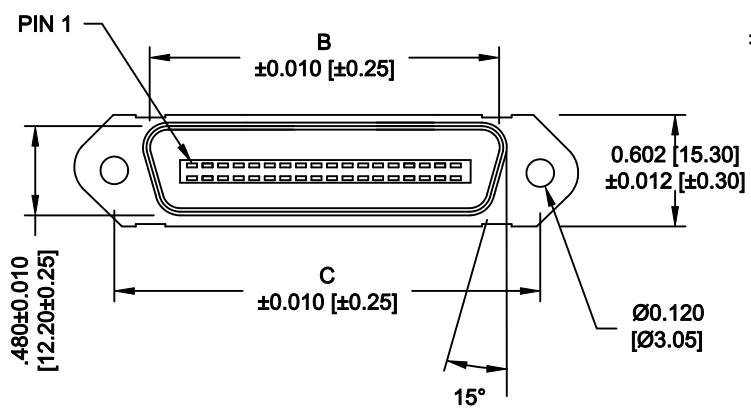
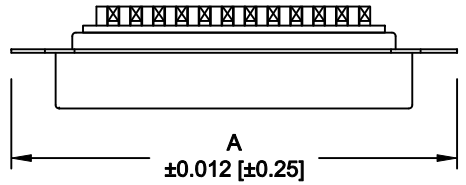
	014	024	036	050
A	1.728	2.154	2.667	3.264
	43.90	54.70	67.75	82.90
B	1.004	1.429	1.929	2.538
	25.50	36.30	49.00	64.47
C	1.417	1.843	2.352	2.947
	36.00	46.80	59.74	74.85

MATERIAL:

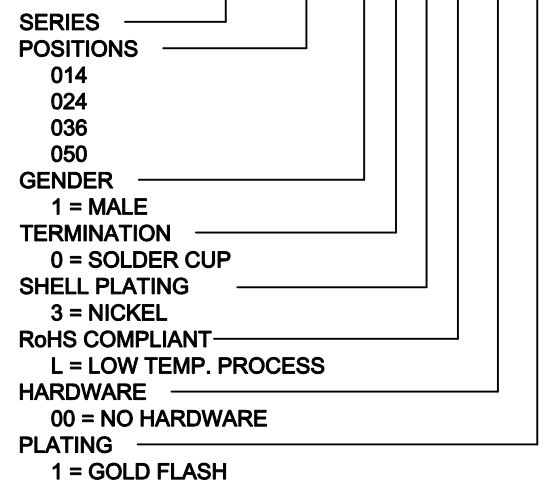
INSULATION: PBT - UL 94V-0 RATED
 CONTACTS: PHOSPHOR BRONZE
 SHELL: STEEL, NICKEL PLATED

ELECTRICAL:

CURRENT RATING: 1 AMPS
 VOLTAGE RATING: 1,000V AC r.m.s.
 INSULATION RESISTANCE: 1,000MegOhms Min. @ 500VDC
 CONTACT RESISTANCE: 30MilliOhms Max.
 OPERATING TEMPERATURE: -55°C TO +125°C



111-YYY-1 0 3 L 00 1



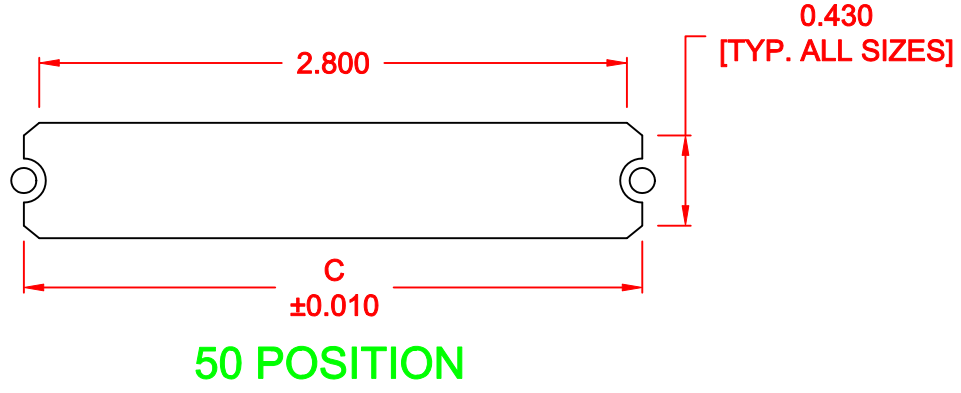
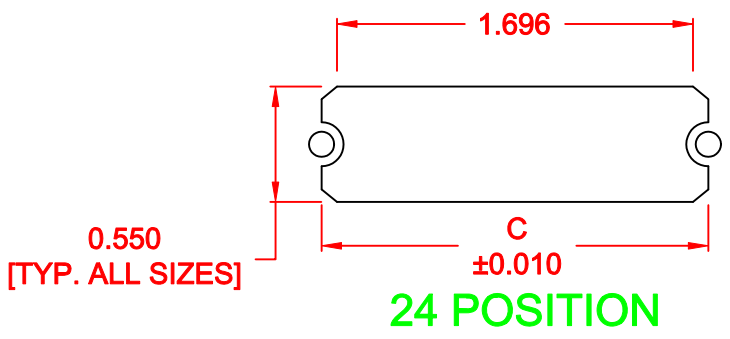
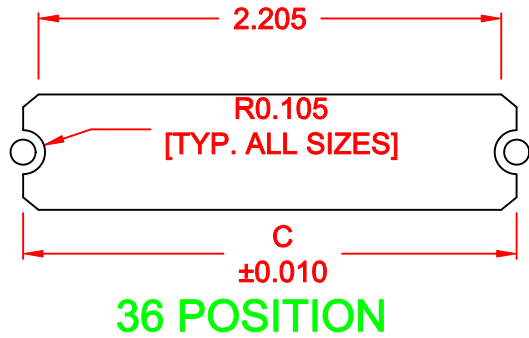
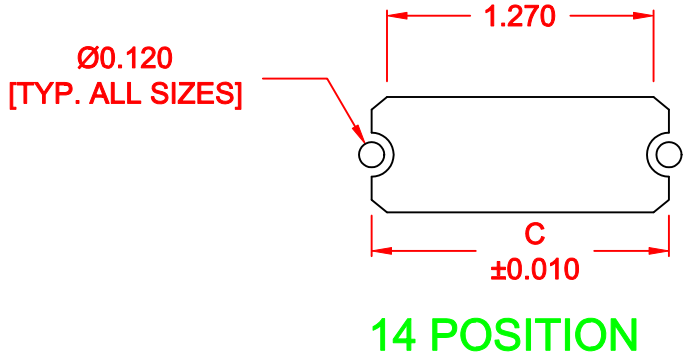
WILL ACCEPT 26-20 AWG WIRE

DO NOT SCALE FROM DRAWING

RoHS COMPLIANT

	THESE DRAWINGS AND SPECIFICATIONS ARE THE PROPERTY OF NorComp AND SHALL NOT BE REPRODUCED, COPIED OR USED AS THE BASIS FOR THE MANUFACTURE OF SALE OF APPARATUS WITHOUT WRITTEN PERMISSION.		DRAWN: WAYNE ROBBINS	DATE: 09-15-05
			CHECKED:	DATE:
NorComp	SCALE: NONE	SHEET 1 OF 2	REV 9	
	DWG NO. 111-YYY-103L001			

	014	024	036	050
C	1.417	1.843	2.352	2.947
	36.00	46.80	59.74	74.85



NOTE DIMENSION "C" =
 CENTER TO CENTER OF MOUNTING HOLES
 CENTER OF RADI
 OVERALL LENGTH OF CUTOUT

RoHS COMPLIANT

DO NOT SCALE FROM DRAWING

	THESE DRAWINGS AND SPECIFICATIONS ARE THE PROPERTY OF NorComp AND SHALL NOT BE REPRODUCED, COPIED OR USED AS THE BASIS FOR THE MANUFACTURE OF SALE OF APPARATUS WITHOUT WRITTEN PERMISSION.	DRAWN: M. SIGMON	DATE: 01-14-11	
		CHECKED:	DATE:	
		SCALE: NONE	SHEET 2 OF 2	REV 9
		DWG NO. 111-YYY-103L001		