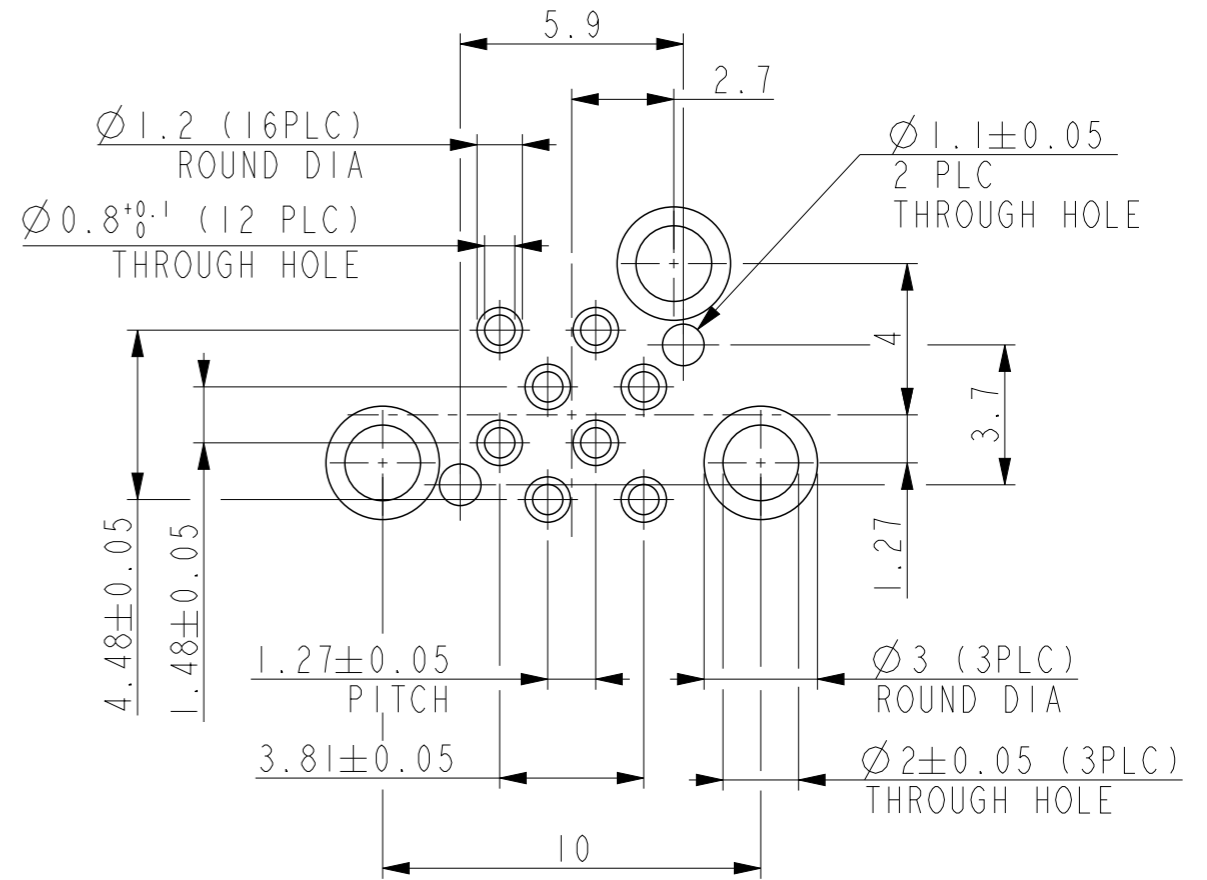


PRODUCT NUMBERING:  
 10137849 - 0 0 X 0 LF  
 LEAD FREE  
 1: TYPE I  
 2: TYPE II

NOTES:

- MATERIAL AND FINISH  
 CONTACT: COPPER ALLOY  
 UNDER ALL SURFACE NICKEL 1.27µm MIN.  
 TOP CONTACT AREA : GOLD 0.5µm MIN  
 SOLDERING AREA : TIN PLATE.  
 HOUSING: THERMO PLASTIC (UL94V-0)  
 SHELL: COPPER ALLOY  
 UNDER ALL SURFACE NICKEL  
 TOP ALL SURFACE TIN
- PACKAGING SPEC GS-14-2538



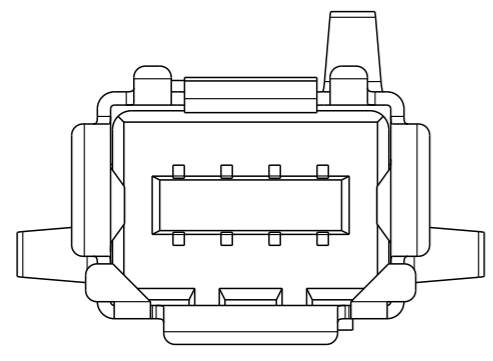
RECOMMENDED BOARD DIMENSION  
 t=1.6  
 GENERAL TOL. : ± 0.1

Amphenol  
FCi

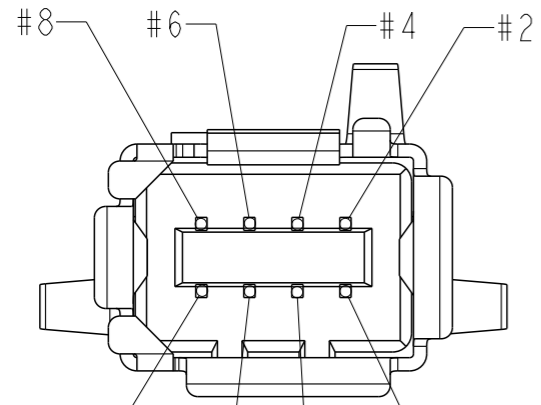
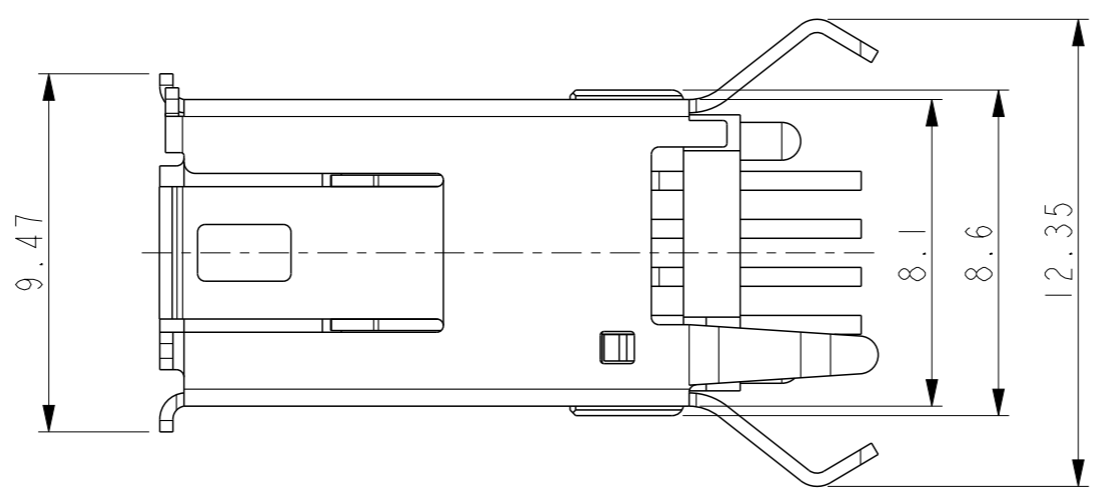
© 2016 AFCI

spec ref	GS-12-1346			dr	A P Sawanth	2016/09/07	projection	mm	size	A3	scale	5:1
tolerance std	TOLERANCES UNLESS OTHERWISE SPECIFIED			eng	Mike Zhou	2017/11/13			ecn no ELX-N-28452-1			
ISO 406 ISO 1101				chr	-	-			rel level Released			
surface	linear	0.X	±0.3	appr	Tim Yao	2017/11/13	product family		-		-	
		0.XX	±-	<b>Amphenol FCi</b>		THR VERTICAL MINI I/O RECEPTACLE 1.27mm PITCH		dwg no 10137849		rev B		
		0.XXX	±-									
ISO 1302	angular	0°	±5°	cat. no.		-		Product - Customer Drw		sheet 1 of 2		

PART NUMBER	DESCRIPTION	POS
10137849-0010LF	TYPE I PIP RECEPTACLE	8
10137849-0020LF	TYPE II PIP RECEPTACLE	8

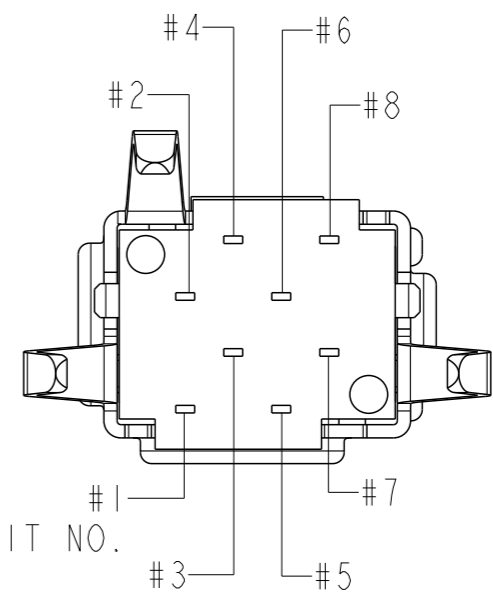
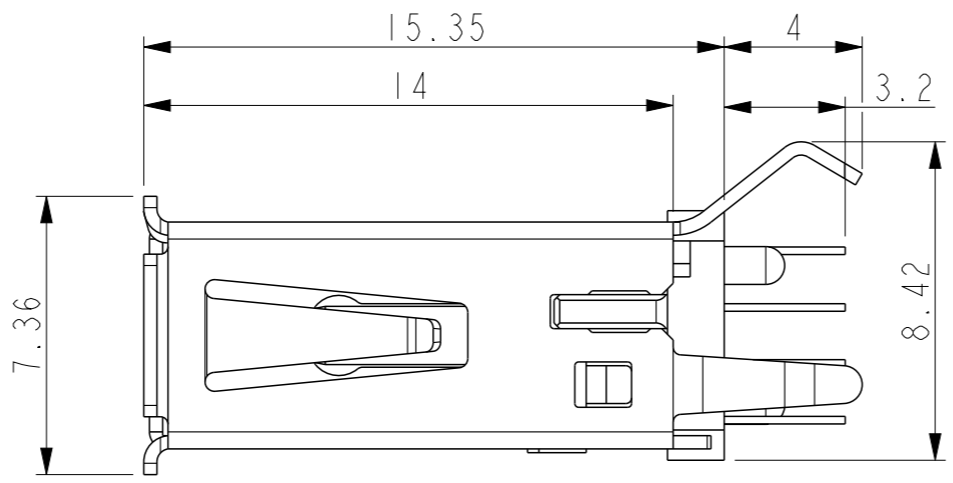


10137849-0020LF  
TYPE II

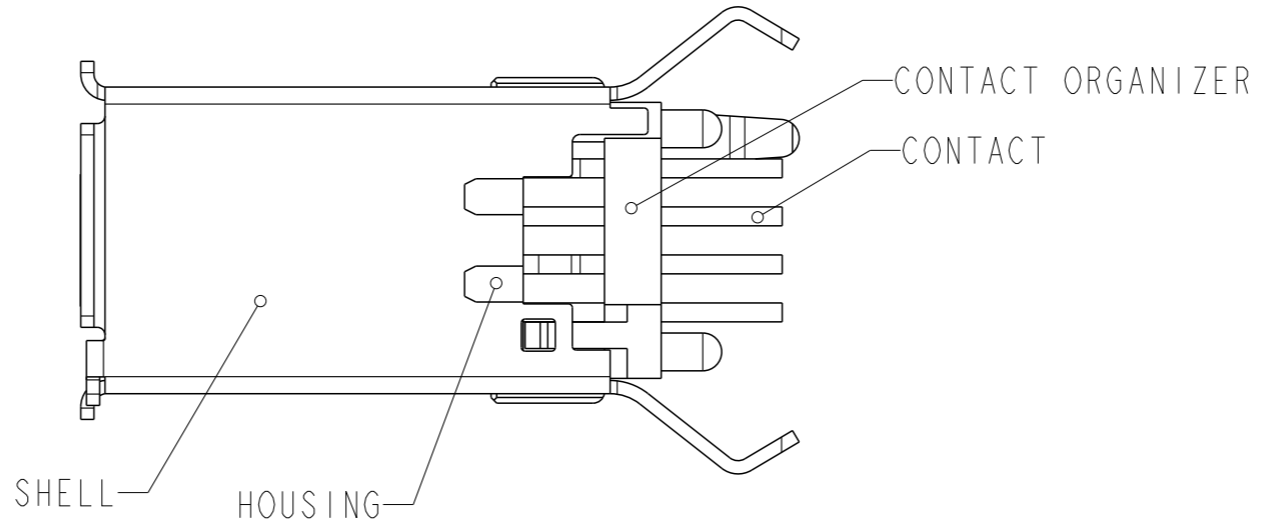


10137849-0010LF  
TYPE I

CIRCUIT NO.



CIRCUIT NO.



spec ref	GS-12-1346	dr	A P Sawanth	2016/09/07	projection	mm	size	A3	scale	5:1
tolerance std	ISO 406 ISO 1101	eng	Mike Zhou	2017/11/13			ecn no	ELX-N-28452-1		
TOLERANCES UNLESS OTHERWISE SPECIFIED		chr	-	-			rel level	Released		
surface	linear	0.X	±0.3	<b>Amphenol FCI</b>	product family	THR VERTICAL MINI I/O RECEPTACLE		dwg no 10137849	rev B	
		0.XX	±-		1.27mm PITCH					
ISO 1302	angular	0°	±5°		cat. no.	Product - Customer Drw		sheet 2 of 2		