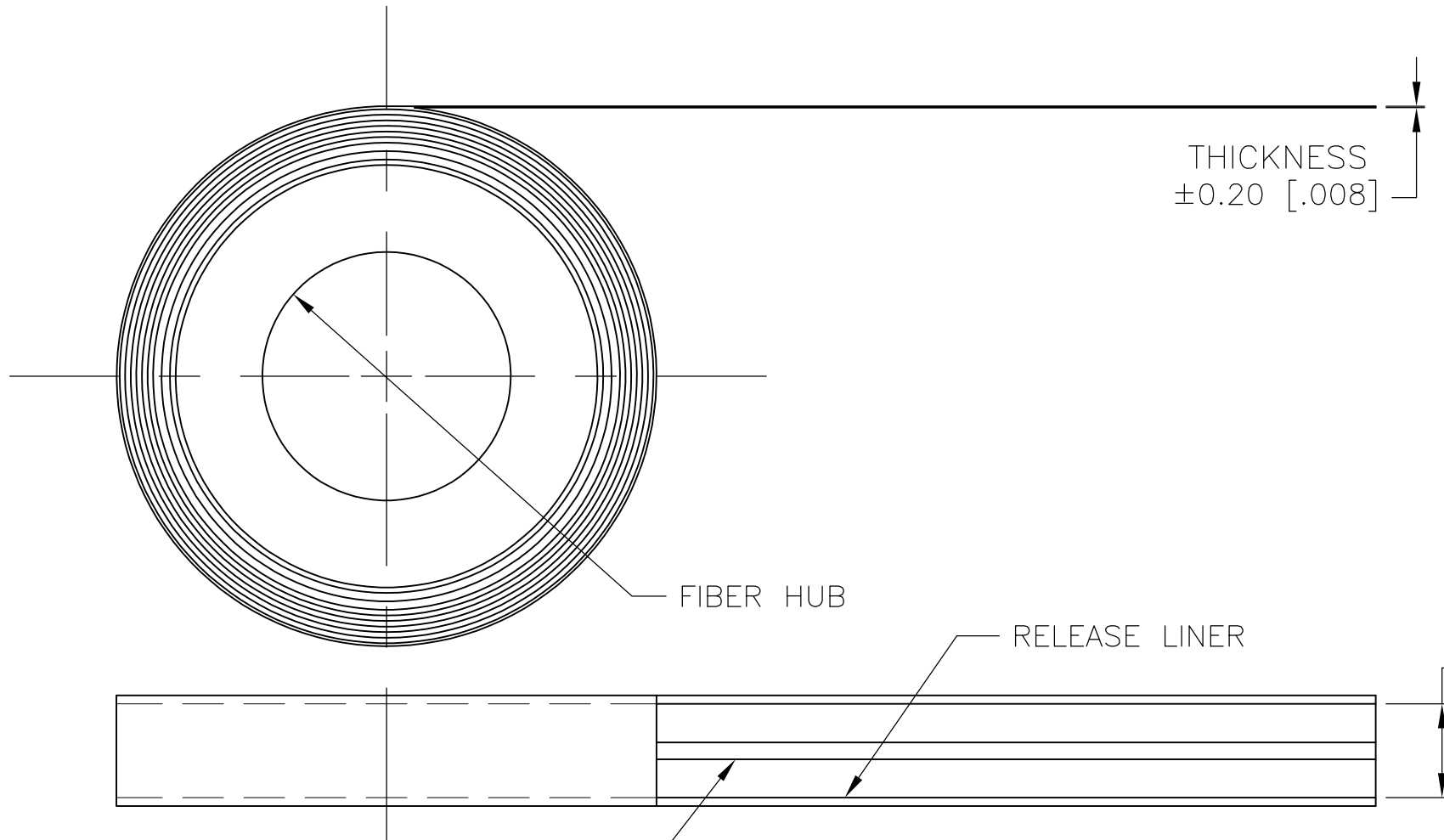


THIS DRAWING IS UNPUBLISHED. RELEASED FOR PUBLICATION  
 © COPYRIGHT - By - ALL RIGHTS RESERVED.


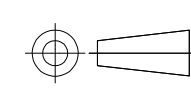
LOC	DIST	REVISIONS					
CM	00	P	LTR	DESCRIPTION	DATE	DWN	APVD
		G1		REVISED PER ECO-11-004587	11MAR11	RK	HMR



- 1. MATERIAL: SILICONE RUBBER.
- 2. TAPE IS ROLLED ONTO A FIBER HUB TO LENGTHS INDICATED WITH COLOR STRIPES DOWN AND RELEASE LINER ON OUTSIDE.
- 3. THICKNESS TO BE MEASURED AT CENTER OF TAPE.
- 4. SELF-AMALAGAMATING MATERIAL HAS A 1-YEAR SHELF-LIFE, WHICH BEGINS THE DAY ITS MADE. USE AFTER EXPIRATION CONSIDERABLY IMPEDES ITS ABILITY TO FUSE.

COLOR STRIPE

WEIGHT GRAMS/POUNDS	LENGTH MINIMUM	STRIPE COLOR	TAPE COLOR	THICKNESS	WIDTH	DESCRIPTIVE PART NO.	PART NUMBER
54/.12	4.57m [15 FT]	WHITE	BLACK	0.51 [.020]	25.4 [1.00]	ST1B215	1-608036-4
54/.12	4.57m [15 FT]	BLUE	RED	0.51 [.020]	25.4 [1.00]	ST1R215	1-608036-3
127/.28	10.97m [36 FT]	BLUE	CLEAR	0.51 [.020]	25.4 [1.00]	ST1C236	1-608036-2
576/1.27	10.97m [36 FT]	WHITE	RED	2.03 [.080]	38.1 [1.50]	ST12R836	608036-9
263/.58	10.97m [36 FT]	GREEN	RED	1.02 [.040]	31.8 [1.25]	ST14R436	608036-6
172/.38	10.97m [36 FT]	WHITE	GRAY	0.76 [.030]	25.4 [1.00]	ST1G336	608036-4
127/.28	10.97m [36 FT]	BLUE	GRAY	0.51 [.020]	25.4 [1.00]	ST1G236	608036-2
127/.28	10.97m [36 FT]	BLUE	RED	0.51 [.020]	25.4 [1.00]	ST1R236	608036-1

THIS DRAWING IS A CONTROLLED DOCUMENT.		DWN	S. HOOVER	20-AUG-2002	 TE Connectivity		
DIMENSIONS: mm		CHK	D. COLEY	20-AUG-2002			
		APVD	D. COLEY	20-AUG-2002			
TOLERANCES UNLESS OTHERWISE SPECIFIED: 0 PLC ± 1 PLC ± 2 PLC ± 3 PLC ± 4 PLC ± ANGLES ±		NAME					
MATERIAL	1	PRODUCT SPEC		TAPE, SILICONE FUSION			
CUSTOMER DRAWING		APPLIC. SPEC	SIZE		CAGE CODE	DRAWING NO	RESTRICTED TO
		WEIGHT	A3		00779	C-608036	-
		SCALE		SHEET		REV	
		-		1 OF 1		G1	