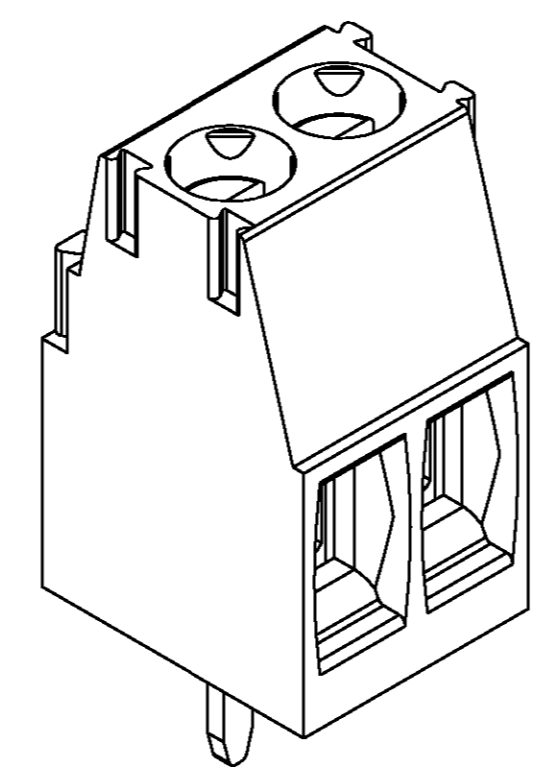
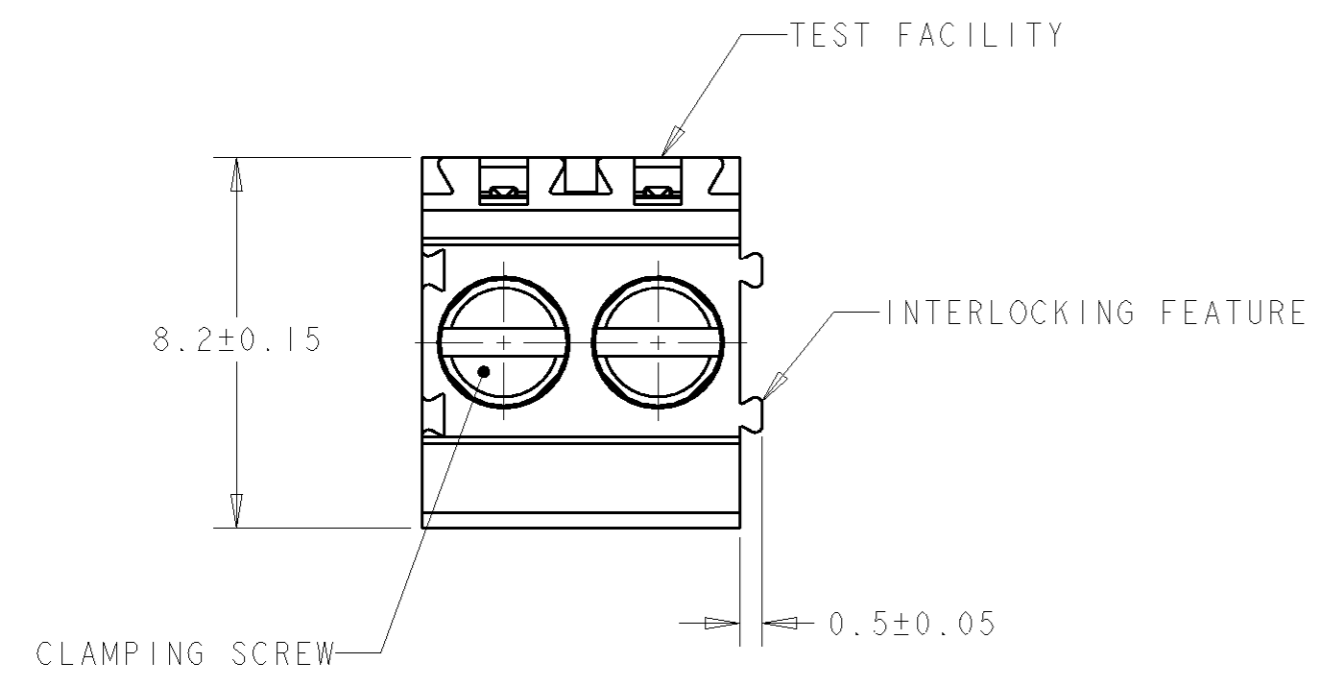


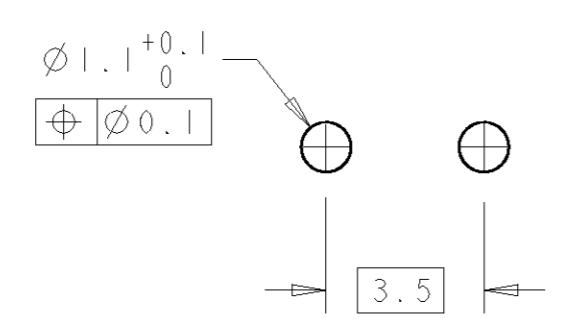
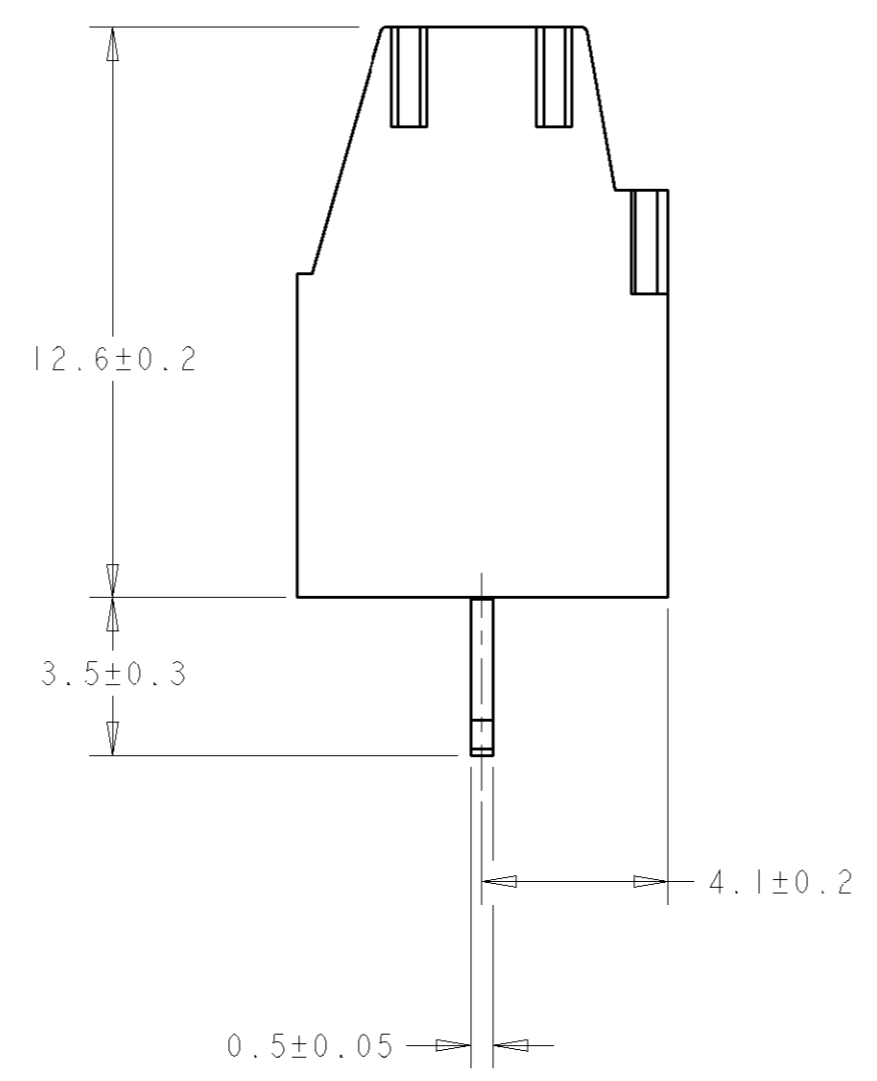
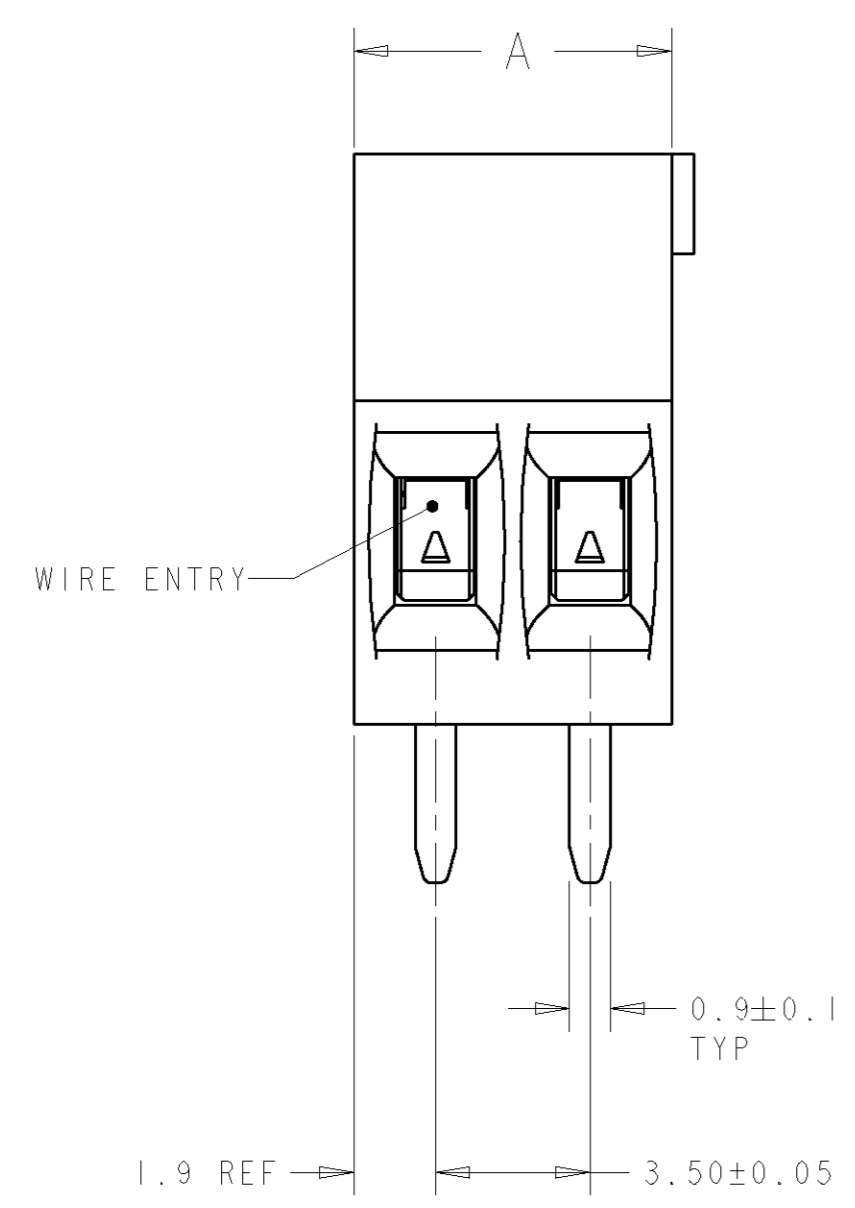
THIS DRAWING IS UNPUBLISHED. RELEASED FOR PUBLICATION 20  
 © COPYRIGHT 20 BY TYCO ELECTRONICS CORPORATION. ALL RIGHTS RESERVED.

LOC	DIST	REVISIONS					
FT	0	P	LTR	DESCRIPTION	DATE	DWN	APVD
			A	RELEASED	-	-	-



- ⚠ MATERIALS AND FINISH  
 HOUSING : PA 6.6, UL 94-V0, COLOR: BLUE.  
 CLAMP : BRASS, NICKEL PLATED  
 TERMINAL : BRASS, TIN PLATED  
 CLAMPING SCREW : M3, BRASS, NICKEL PLATED
- SUITABLE FOR 1.6-2.4 mm. PCB BOARD THICKNESS.
  - END-TO-END STACKABLE W/INTERLOCK WITHOUT LOSS OF CENTERLINE SPACING
  - WIRE SIZE RANGE: 14 - 30 AWG

1546227-2 AS SHOWN



RECOMMENDED PC BOARD LAYOUT

87.5	25	2-1546227-5
84.0	24	2-1546227-4
80.5	23	2-1546227-3
77.0	22	2-1546227-2
73.5	21	2-1546227-1
70.0	20	2-1546227-0
66.5	19	1-1546227-9
63.0	18	1-1546227-8
59.5	17	1-1546227-7
56.0	16	1-1546227-6
52.5	15	1-1546227-5
49.0	14	1-1546227-4
45.5	13	1-1546227-3
42.0	12	1-1546227-2
38.5	11	1-1546227-1
35.0	10	1-1546227-0
31.5	9	1546227-9
28.0	8	1546227-8
24.5	7	1546227-7
21.0	6	1546227-6
17.5	5	1546227-5
14.0	4	1546227-4
10.5	3	1546227-3
7.0	2	1546227-2
A	NO OF POSN	PART NUMBER

THIS DRAWING IS A CONTROLLED DOCUMENT FOR TYCO ELECTRONICS CORPORATION. IT IS SUBJECT TO CHANGE AND THE CONTROLLING ENGINEERING ORGANIZATION SHOULD BE CONTACTED FOR THE LATEST REVISION.		DWN: S. WELDON 11MAR2004	BUCHANAN Tyco Electronics Harrisburg, PA 17105-3608	
DIMENSIONS: mm		CHK: C. RICHARD 11MAR2004	NAME: TERMINAL BLOCK ASSEMBLY, PCB MOUNT, SIDE WIRE ENTRY, STACKING W/ INTERLOCK, 3.5mm PITCH	
TOLERANCES UNLESS OTHERWISE SPECIFIED: 0 PLC ±.3 1 PLC ±.3 2 PLC ±.25 3 PLC ±. 4 PLC ±. ANGLES ±2		APVD: C. RICHARD 11MAR2004		
MATERIAL		PRODUCT SPEC: 108-20166	SIZE: A2	CAGE CODE: 00779
FINISH		APPLICATION SPEC: 114-20079	DRAWING NO: 1546227	RESTRICTED TO: -
CUSTOMER DRAWING		WEIGHT: -	SCALE: 6:1	SHEET 1 OF 1 REV A