

TECHNICAL SPECIFICATIONS:

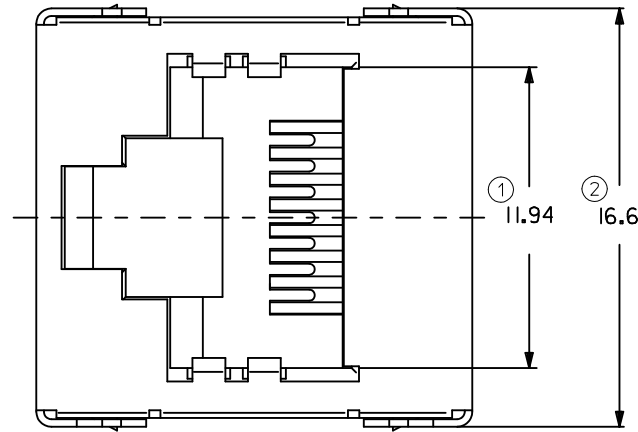
1- MATERIAL: HOUSING: LCP GLASS FILLED UL 94 V-0 COLOR : BLACK

TERMINAL : COPPER ALLOY PLATED WITH
BASE FINISH: NICKEL

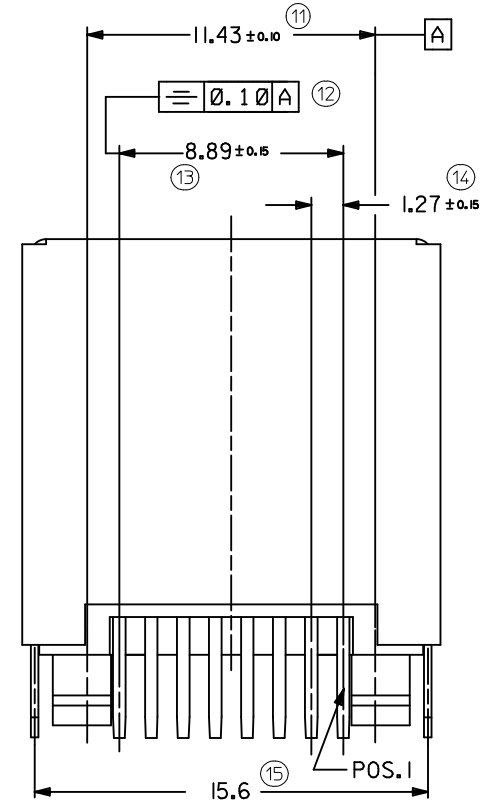
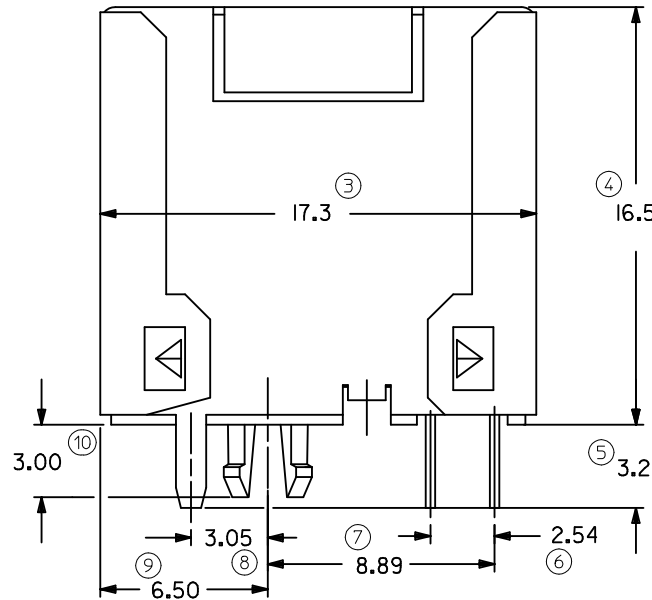
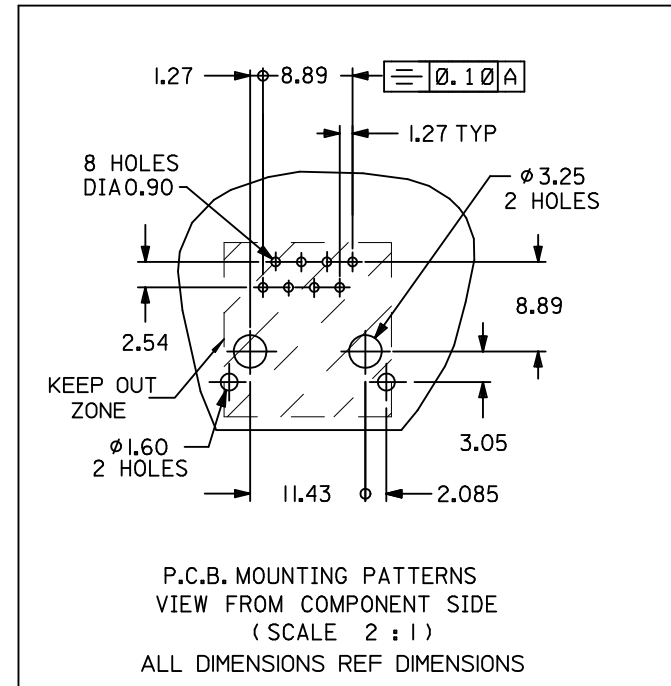
CONTACT SURFACE FINISH:
GOLD,
OR

GOLD FLASH OVER PALLADIUM NICKEL.
EXCEEDS PRODUCT REQUIREMENTS BASED ON PS-95623-001

SHIELD : COPPER ALLOY PLATED WITH TIN.



PART NUMBER	TOOLED	PCB THICKNESS
95623-2881	YES	1.57



NOTES :

- 1- JACK FOR MATING WITH IEC 60603-7 AND TIA-1096-A PLUGS 95043 MOLEX SERIES.
- 2- PRODUCT SPECIFICATION: MOLEX PS-95623-001.
- 3- PACKAGING SPECIFICATION: MOLEX PK-95123.
- 4- P.C. BOARD THICKNESS (SEE CHART)

LAST INSPECTION NUMBER: 15

EDITED NOTES EC NO: IPG2012-0705 DRW: DBYRNES 2012/04/03 CHKD: SMCREEVY 2012/04/17 APPR: EFOLAN 2012/06/28	QUALITY SYMBOLS	GENERAL TOLERANCES (UNLESS SPECIFIED)	DIMENSION STYLE	SCALE	DESIGN UNITS	THIRD ANGLE PROJECTION	
	▽=0 ◻=0	mm INCH 4 PLACES ± --- ± --- 3 PLACES ± --- ± --- 2 PLACES ± 0.25 ± --- 1 PLACE ± 0.35 ± --- ANGULAR ± 1/2°	MM ONLY	5:1	METRIC	☉ □ THIRD ANGLE PROJECTION	
	DRAWN BY: D.BYRNES CHECKED BY: EOMAHONY APPROVED BY: EOMAHONY	DATE: 2006/11/14 DATE: 2006/11/15 DATE: 2006/11/15	MATERIAL NO. SEE CHART	TITLE FULLY SHIELDED TOP ENTRY MODULAR JACK 8 CKTS (THROUGH HOLE VERSION)	MOLEX INCORPORATED	DOCUMENT NO. SD-95623-001	SHEET NO. 1 OF 1
	DRAFT WHERE APPLICABLE MUST REMAIN WITHIN DIMENSIONS	SIZE A3	THIS DRAWING CONTAINS INFORMATION THAT IS PROPRIETARY TO MOLEX INCORPORATED AND SHOULD NOT BE USED WITHOUT WRITTEN PERMISSION				