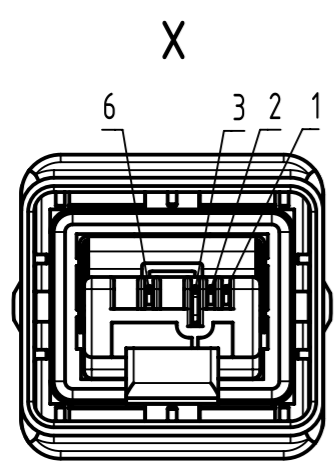
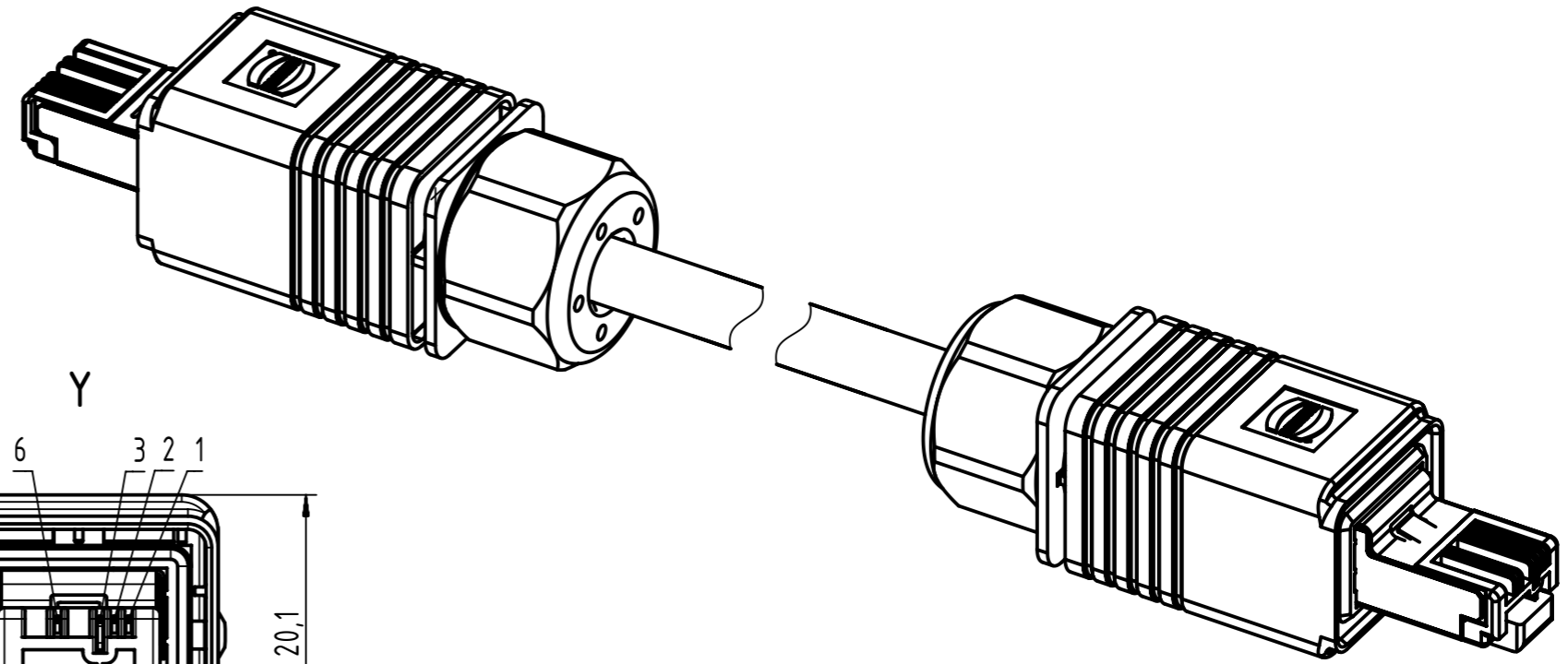
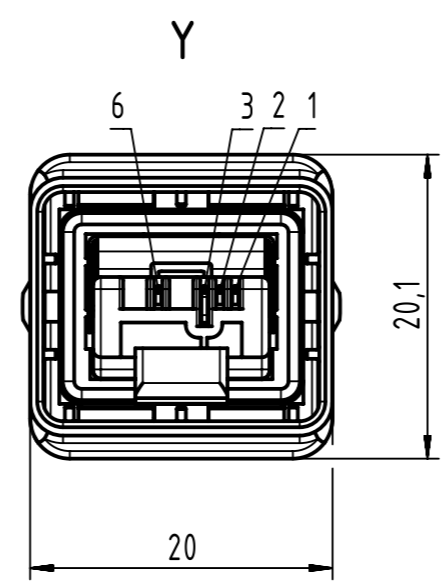
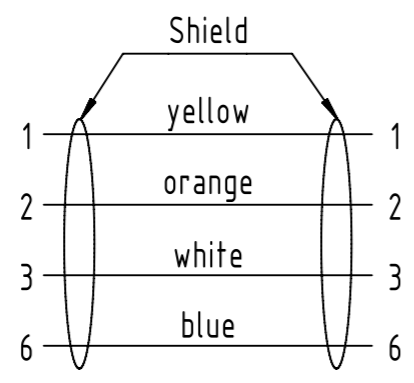


HARTING PushPull RJ45, Cat. 5, 4-pole, plastic  
Protection level: IP65/67

Mating face RJ45 acc. to IEC 60603-7



Loading-Plan:



- Temperature range: -40°C...+70°C

	All Dimensions in mm Original Size DIN A3		Scale 2:1	Free size tol.		Ref.	
	All rights reserved Department EC PD - RO		Created by MUNTEANV	Inspected by TAMAS	Standardisation KOHLER	Date 2015-07-24	State Final Release
HARTING Electronics GmbH D-32339 Espelkamp		Title HARTING PushPull RJ45 Cable Assembly				Doc-Key / ECM-Nr. 100155667/UGD/010/B 500000091524	
		Type TB	Number 0945745XXXX			Rev. B	Page 1/2

