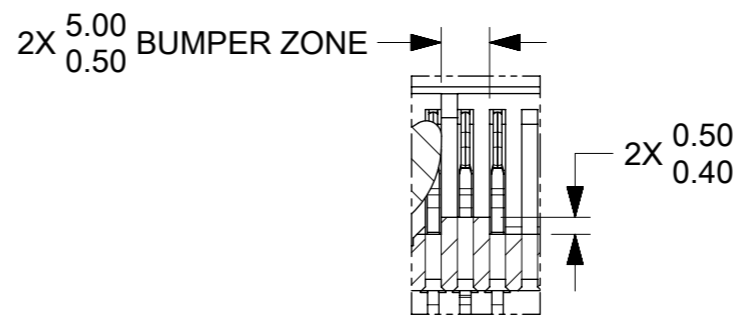
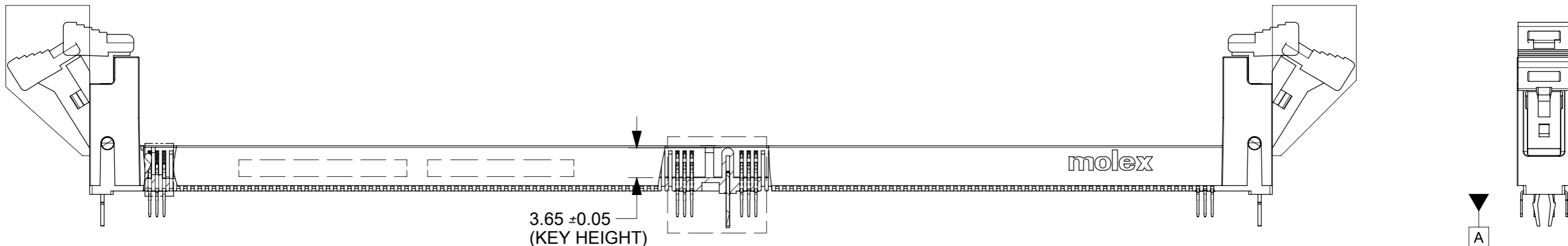
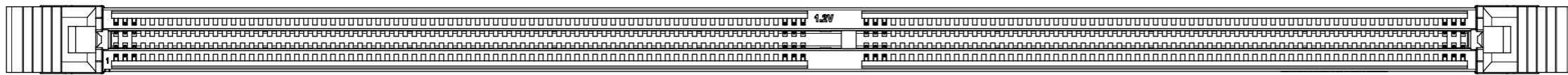


9 8 7 6 5 4 3 2 1



THIS DRAWING CONTAINS INFORMATION THAT IS PROPRIETARY TO MOLEX ELECTRONIC TECHNOLOGIES, LLC AND SHOULD NOT BE USED WITHOUT WRITTEN PERMISSION

QUALITY SYMBOLS 	RE-MASTERED IN NX EC NO: 111218 DRWN: VNANDAM CHK'D: EKSOH REV APPR: SHLENI	2016/08/03 2016/12/12 2017/01/04	GENERAL TOLERANCES (UNLESS SPECIFIED) <table border="1"> <tr> <th></th> <th>MM</th> <th>INCH</th> </tr> <tr> <td>4 PLACES</td> <td>±</td> <td>±</td> </tr> <tr> <td>3 PLACES</td> <td>±</td> <td>±</td> </tr> <tr> <td>2 PLACES</td> <td>± 0.2</td> <td>±</td> </tr> <tr> <td>1 PLACES</td> <td>±</td> <td>±</td> </tr> <tr> <td>0 PLACES</td> <td>±</td> <td>±</td> </tr> </table>		MM	INCH	4 PLACES	±	±	3 PLACES	±	±	2 PLACES	± 0.2	±	1 PLACES	±	±	0 PLACES	±	±	DIMENSION UNITS MM	SCALE NTS
			MM	INCH																			
		4 PLACES	±	±																			
		3 PLACES	±	±																			
		2 PLACES	± 0.2	±																			
		1 PLACES	±	±																			
		0 PLACES	±	±																			
		DRWN BY EKSOH	DATE 2012/03/08																				
CHK'D BY CGTAN	DATE 2012/05/08																						
APPR BY SHLENI	DATE 2012/07/13																						
ANGULAR TOL = 3.0	DRAFT WHERE APPLICABLE MUST REMAIN WITHIN DIMENSIONS																						
DRAWING SIZE A3	THIRD ANGLE PROJECTION																						

molex®

DDR4 DIMM, 0.85MM PITCH
288CKTS, VERTICAL TH

PRODUCT CUSTOMER DRAWING

SERIES 78726	MATERIAL NUMBER SEE TABLE	CUSTOMER GENERAL MARKET
DOCUMENT NUMBER SD-78726-002	DOC TYPE PSD	DOC PART 000
SHEET NUMBER 1 OF 6		

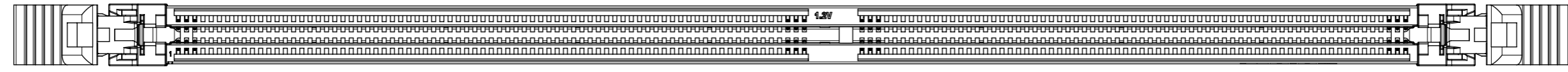
RELEASE STATUS	RELEASE DATE
----------------	--------------

9 8 7 6 5 4 3 2 1

9 8 7 6 5 4 3 2 1

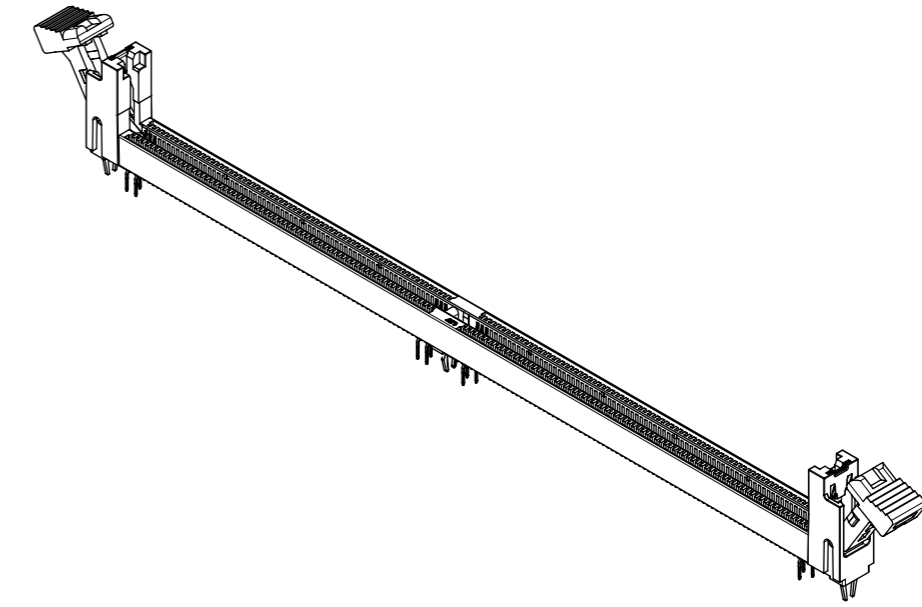
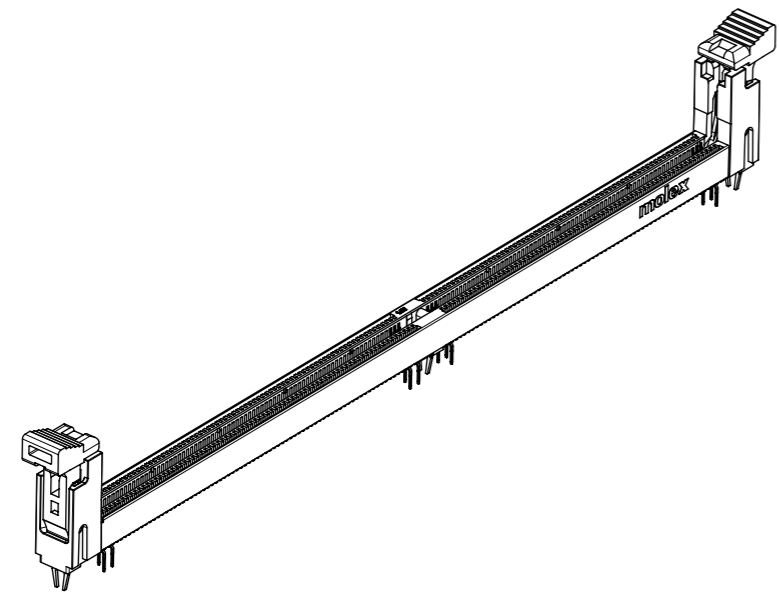
E

E



D

D



C

C

B

B

A

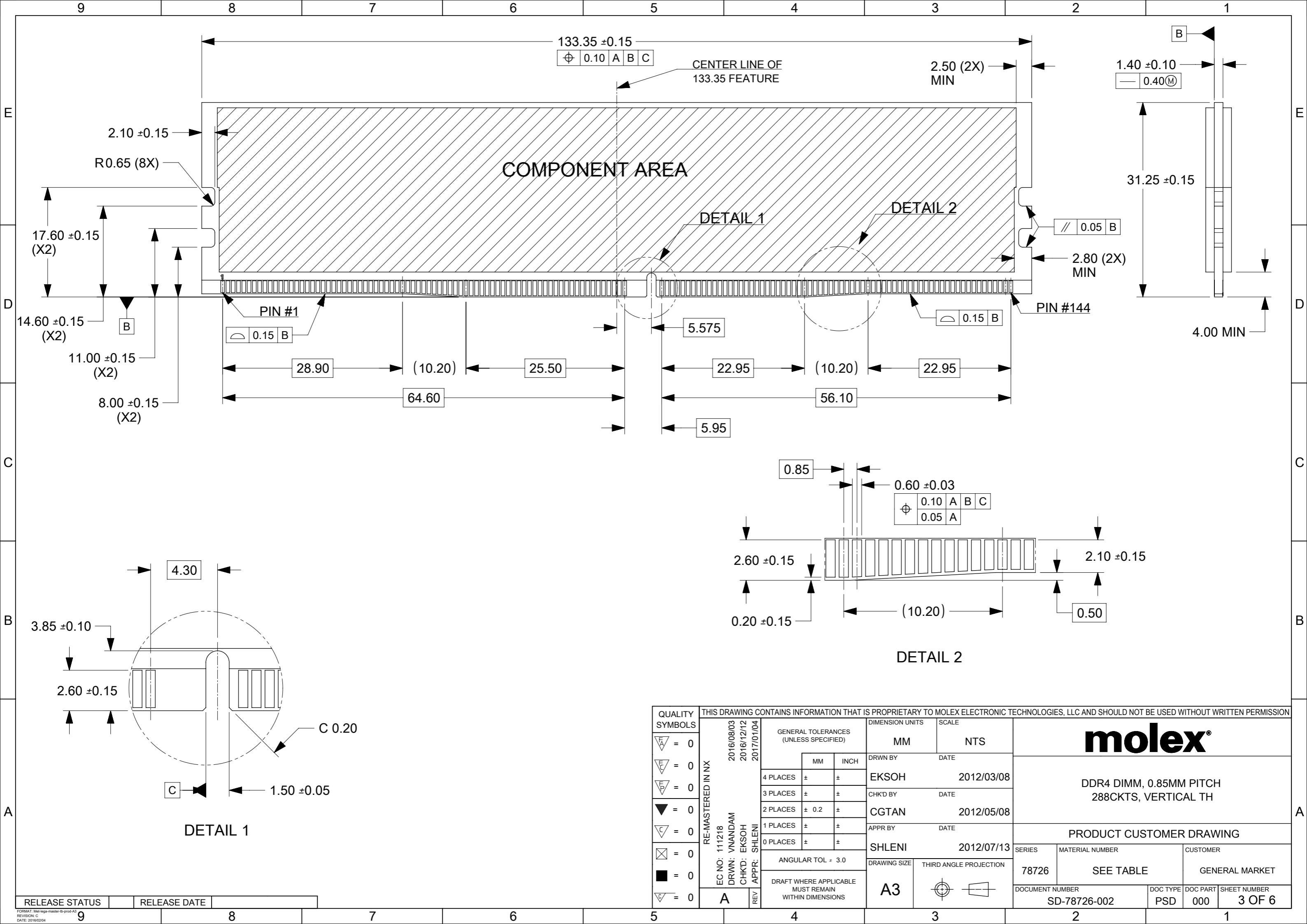
A

THIS DRAWING CONTAINS INFORMATION THAT IS PROPRIETARY TO MOLEX ELECTRONIC TECHNOLOGIES, LLC AND SHOULD NOT BE USED WITHOUT WRITTEN PERMISSION											
QUALITY SYMBOLS = 0 = 0 = 0 = 0 = 0 = 0 = 0 = 0 = 0	RE-MASTERED IN NX EC NO: 111218 DRWN: VNANDAM CHK'D: EKSOH REV APPR: SHLENI	2016/08/03 2016/12/12 2017/01/04		GENERAL TOLERANCES (UNLESS SPECIFIED)		DIMENSION UNITS MM INCH		SCALE NTS			
		4 PLACES ±		±		EKSOH		DATE		 DDR4 DIMM, 0.85MM PITCH 288CKTS, VERTICAL TH	
		3 PLACES ±		±		CGTAN		DATE			
		2 PLACES ± 0.2		±		SHLENI		DATE			
		1 PLACES ±		±		SHLENI		DATE			
		0 PLACES ±		±		ANGULAR TOL = 3.0		DRAWING SIZE		THIRD ANGLE PROJECTION	
		DRAFT WHERE APPLICABLE MUST REMAIN WITHIN DIMENSIONS				A3				SERIES: 78726 MATERIAL NUMBER: SEE TABLE CUSTOMER: GENERAL MARKET	
								DOCUMENT NUMBER: SD-78726-002		DOC TYPE: PSD DOC PART: 000 SHEET NUMBER: 2 OF 6	

RELEASE STATUS	RELEASE DATE
----------------	--------------

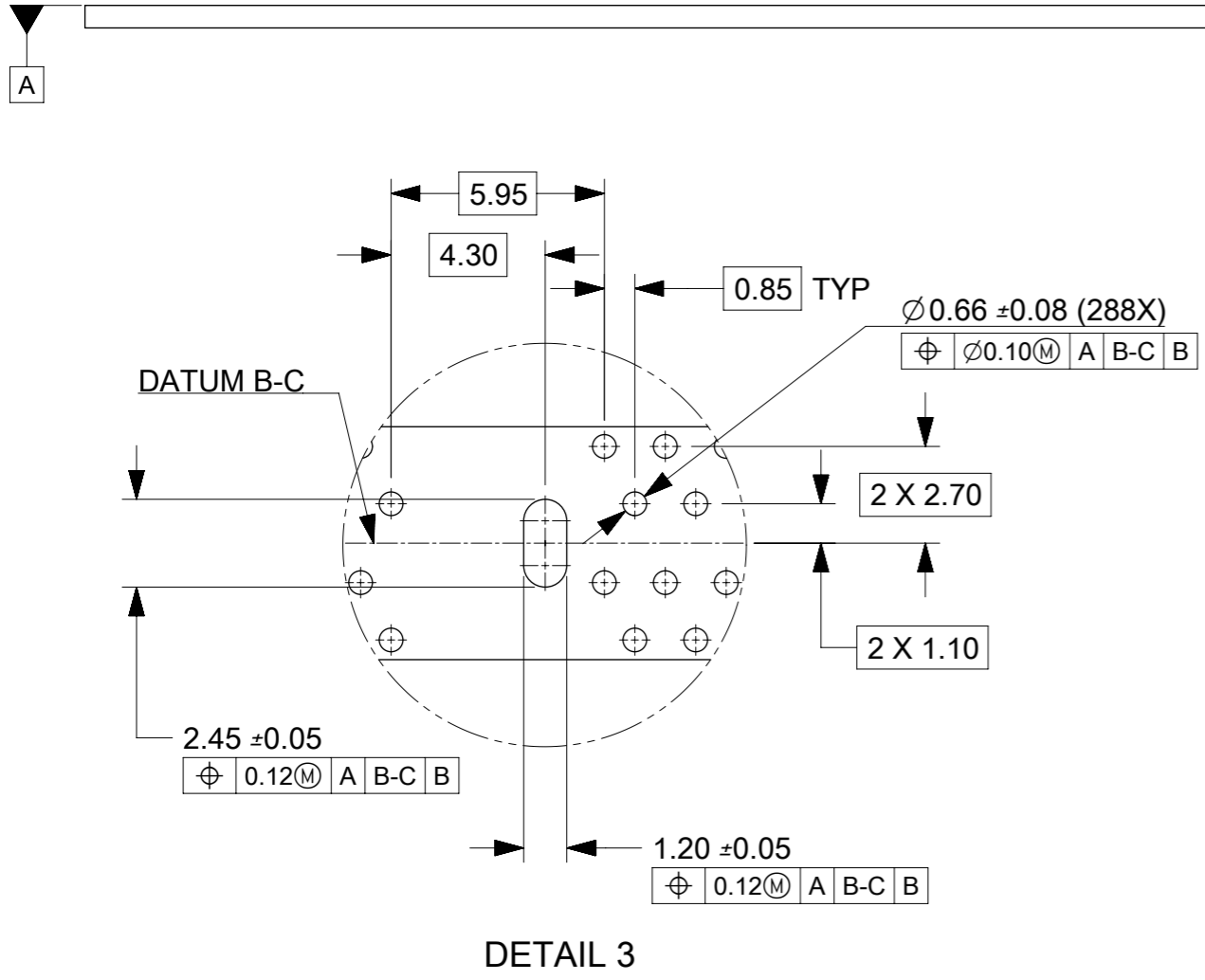
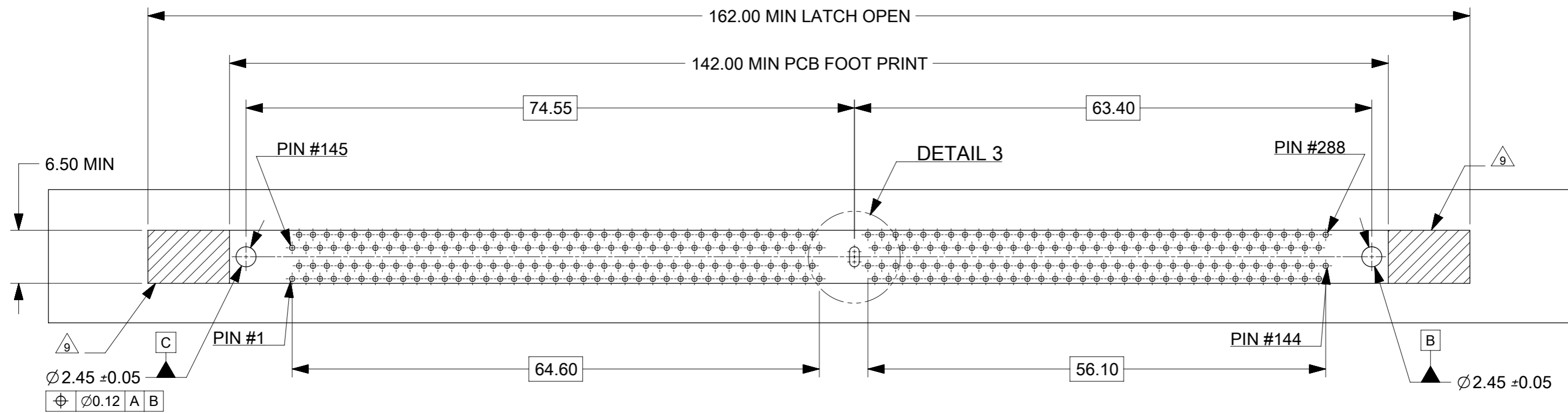
9 8 7 6 5 4 3 2 1

FORMA: Met-lega-master-ib-prod-A3
REVISION: C
DATE: 2016/02/04



RELEASE STATUS: [] RELEASE DATE: []

THIS DRAWING CONTAINS INFORMATION THAT IS PROPRIETARY TO MOLEX ELECTRONIC TECHNOLOGIES, LLC AND SHOULD NOT BE USED WITHOUT WRITTEN PERMISSION											
QUALITY SYMBOLS ▽ = 0 ▽ = 0 ▽ = 0 ▼ = 0 ▽ = 0 ⊠ = 0 ■ = 0 ▽ = 0	RE-MASTERED IN NX EC NO: 111218 DRWN: VNANDAM CHK'D: EKSOH REV APPR: SHLENI	2016/08/03 2016/12/12 2017/01/04		GENERAL TOLERANCES (UNLESS SPECIFIED) MM INCH 4 PLACES ± ± 3 PLACES ± ± 2 PLACES ± 0.2 ± 1 PLACES ± ± 0 PLACES ± ±		DIMENSION UNITS MM NTS		SCALE NTS			
		DRWN BY EKSOH		DATE 2012/03/08							
		CHK'D BY CGTAN		DATE 2012/05/08							
		APPR BY SHLENI		DATE 2012/07/13		PRODUCT CUSTOMER DRAWING					
		ANGULAR TOL = 3.0		DRAFT WHERE APPLICABLE MUST REMAIN WITHIN DIMENSIONS		DRAWING SIZE A3		THIRD ANGLE PROJECTION		SERIES 78726	
		MATERIAL NUMBER SEE TABLE		CUSTOMER GENERAL MARKET		DOCUMENT NUMBER SD-78726-002		DOC TYPE PSD		DOC PART 000	
		SHEET NUMBER 3 OF 6									



THIS DRAWING CONTAINS INFORMATION THAT IS PROPRIETARY TO MOLEX ELECTRONIC TECHNOLOGIES, LLC AND SHOULD NOT BE USED WITHOUT WRITTEN PERMISSION									
QUALITY SYMBOLS	EC NO: 111218 DRWN: VNANDAM CHK'D: EKSOH REV APPR: SHLENI	GENERAL TOLERANCES (UNLESS SPECIFIED)		DIMENSION UNITS	SCALE				
		MM	INCH	MM	NTS				
▽ = 0	RE-MASTERED IN NX	4 PLACES ±		DRWN BY	DATE	DDR4 DIMM, 0.85MM PITCH 288CKTS, VERTICAL TH			
▽ = 0		3 PLACES ±		EKSOH	2012/03/08				
▽ = 0		2 PLACES ± 0.2		CHK'D BY	DATE				
▼ = 0		1 PLACES ±		CGTAN	2012/05/08	PRODUCT CUSTOMER DRAWING			
▽ = 0		0 PLACES ±		APPR BY	DATE				
⊠ = 0		ANGULAR TOL = 3.0	DRAWING SIZE		THIRD ANGLE PROJECTION		SERIES	MATERIAL NUMBER	CUSTOMER
■ = 0	DRAFT WHERE APPLICABLE MUST REMAIN WITHIN DIMENSIONS	A3				78726	SEE TABLE	GENERAL MARKET	
▽ = 0						DOCUMENT NUMBER	DOC TYPE	DOC PART	SHEET NUMBER
						SD-78726-002	PSD	000	4 OF 6

RELEASE STATUS	RELEASE DATE
----------------	--------------

CKT SIZE	ASSEMBLY PART NO.	HOUSING COLOR	LATCH COLOR	DIM "P"	RECOMMENDED PCB THICKNESS	PLATING OPTION		PRODUCT SPEC. NO.	PACKAGING SPEC. NO.
						TERMINAL	FORKLOCK		
288	78726-1051	BLACK	BLACK	2.10	1.57	0.76 MICROMETER (30 MICROINCH) MIN GOLD ON CONTACT	1 MICROMETER (40 MICROINCH) MIN TIN OVERALL (PRE-PLATED)	PS-78726-001	PK-78726-001
	78726-1039			2.40	1.57				
	78726-1002			2.67	1.57				
	78726-1003			3.18	2.36				
	78726-1026			3.50	3.00				
	78726-1052			2.10	1.57				
	78726-1040	2.40	1.57						
	78726-1004	BLACK	WHITE	2.67	1.57				
	78726-1005			3.18	2.36				
	78726-1027			3.50	3.00				
	78726-1053			2.10	1.57				
	78726-1041	WHITE	BLACK	2.40	1.57				
	78726-1006			2.67	1.57				
	78726-1007			3.18	2.36				
	78726-1028	WHITE	WHITE	3.50	3.00				
	78726-1054			2.10	1.57				
	78726-1042			2.40	1.57				
	78726-1008			2.67	1.57				
	78726-1009			3.18	2.36				
	78726-1029			3.50	3.00				
	78726-1055	BLUE	BLUE	2.10	1.57				
	78726-1043			2.40	1.57				
	78726-1010			2.67	1.57				
	78726-1011			3.18	2.36				
	78726-1030			3.50	3.00				
	78726-1056	BLUE	WHITE	2.10	1.57				
	78726-1044			2.40	1.57				
	78726-1022			2.67	1.57				
	78726-1023			3.18	2.36				
	78726-1031			3.50	3.00				
78726-1063	2.10			1.57					
78726-1064	YELLOW	WHITE	2.40	1.57					
78726-1065			2.67	1.57					
78726-1066			3.18	2.36					
78726-1067			3.50	3.00					

0.76 MICROMETER (30 MICROINCH) MIN GOLD ON CONTACT

2.54 MICROMETER (100 MICROINCH) MIN TIN ON SOLDER TAILS

1.27 MICROMETER (50 MICROINCH) MIN NICKEL UNDERPLATE

THIS DRAWING CONTAINS INFORMATION THAT IS PROPRIETARY TO MOLEX ELECTRONIC TECHNOLOGIES, LLC AND SHOULD NOT BE USED WITHOUT WRITTEN PERMISSION											
QUALITY SYMBOLS 	RE-MASTERED IN NX EC NO: 111218 DRWN: VNANDAM CHK'D: EKSOH REV APPR: SHLENI	GENERAL TOLERANCES (UNLESS SPECIFIED)		DIMENSION UNITS		SCALE					
				MM	INCH	MM	NTS			DDR4 DIMM, 0.85MM PITCH 288CKTS, VERTICAL TH	
				4 PLACES ±	±	DRWN BY	DATE				
				3 PLACES ±	±	EKSOH	2012/03/08	PRODUCT CUSTOMER DRAWING			
				2 PLACES ±	0.2 ±	CHK'D BY	DATE				
				1 PLACES ±	±	CGTAN	2012/05/08	SERIES: 78726 MATERIAL NUMBER: SEE TABLE CUSTOMER: GENERAL MARKET			
				0 PLACES ±	±	APPR BY	DATE				
				ANGULAR TOL = 3.0		SHLENI	2012/07/13	DOCUMENT NUMBER: SD-78726-002 DOC TYPE: PSD DOC PART: 000 SHEET NUMBER: 5 OF 6			
				DRAFT WHERE APPLICABLE MUST REMAIN WITHIN DIMENSIONS		DRAWING SIZE: A3	THIRD ANGLE PROJECTION				

RELEASE STATUS	RELEASE DATE
----------------	--------------

CKT SIZE	ASSEMBLY PART NO.	HOUSING COLOR	LATCH COLOR	DIM "P"	RECOMMENDED PCB THICKNESS	PLATING OPTION		PRODUCT SPEC. NO.	PACKAGING SPEC. NO.
						TERMINAL	FORKLOCK		
288	78726-1057	BLACK	BLACK	2.10	1.57	0.38 MICROMETER (15 MICROINCH) MIN GOLD ON CONTACT	1 MICROMETER (40 MICROINCH) MIN TIN OVERALL (PRE-PLATED)	PS-78726-002	PK-78726-001
	78726-1045			2.40	1.57				
	78726-1012			2.67	1.57				
	78726-1013			3.18	2.36				
	78726-1032			3.50	3.00				
	78726-1058	BLACK	WHITE	2.10	1.57				
	78726-1046			2.40	1.57				
	78726-1014			2.67	1.57				
	78726-1015			3.18	2.36				
	78726-1033			3.50	3.00				
	78726-1059	WHITE	BLACK	2.10	1.57				
	78726-1047			2.40	1.57				
	78726-1016			2.67	1.57				
	78726-1017			3.18	2.36				
	78726-1034			3.50	3.00				
	78726-1060	WHITE	WHITE	2.10	1.57				
	78726-1048			2.40	1.57				
	78726-1018			2.67	1.57				
	78726-1019			3.18	2.36				
	78726-1035			3.50	3.00				
	78726-1061	BLUE	BLUE	2.10	1.57				
	78726-1049			2.40	1.57				
	78726-1020			2.67	1.57				
	78726-1021			3.18	2.36				
	78726-1036			3.50	3.00				
	78726-1062	BLUE	WHITE	2.10	1.57				
	78726-1050			2.40	1.57				
	78726-1024			2.67	1.57				
	78726-1025			3.18	2.36				
	78726-1037			3.50	3.00				
78726-1068	YELLOW	WHITE	2.10	1.57					
78726-1069			2.40	1.57					
78726-1070			2.67	1.57					
78726-1071			3.18	2.36					
78726-1072			3.50	3.00					

0.38 MICROMETER
(15 MICROINCH) MIN
GOLD ON CONTACT

2.54 MICROMETER
(100 MICROINCH) MIN
TIN ON SOLDER TAILS

1.27 MICROMETER
(50 MICROINCH) MIN
NICKEL UNDERPLATE

THIS DRAWING CONTAINS INFORMATION THAT IS PROPRIETARY TO MOLEX ELECTRONIC TECHNOLOGIES, LLC AND SHOULD NOT BE USED WITHOUT WRITTEN PERMISSION											
QUALITY SYMBOLS 	RE-MASTERED IN NX EC NO: 111218 DRWN: VNANDAM CHK'D: EKSOH REV APPR: SHLENI	GENERAL TOLERANCES (UNLESS SPECIFIED)		DIMENSION UNITS		SCALE					
				MM	INCH	MM	NTS			DDR4 DIMM, 0.85MM PITCH 288CKTS, VERTICAL TH	
		4 PLACES ±		±	±	DRWN BY	DATE				
		3 PLACES ±		±	±	EKSOH	2012/03/08	SERIES: 78726 MATERIAL NUMBER: SEE TABLE CUSTOMER: GENERAL MARKET			
		2 PLACES ± 0.2		±	±	CHK'D BY	DATE			DOCUMENT NUMBER: SD-78726-002 DOC TYPE: PSD DOC PART: 000 SHEET NUMBER: 6 OF 6	
		1 PLACES ±		±	±	CGTAN	2012/05/08				
		0 PLACES ±		±	±	APPR BY	DATE	DRAFT WHERE APPLICABLE MUST REMAIN WITHIN DIMENSIONS			
						SHLENI	2012/07/13			ANGULAR TOL = 3.0	