

MATERIAL AND FINISHES:

BASE: LCP

CONTACT: BRASS

C2680 (t=0.15)

FINISH: GOLD PLATING(0.03 MICROMETER MINIMUM)
UNDERPLATE: NICKEL OVERALL(1~4 MICROMETER)

OUTER CONTACT: PHOSPHOR BRONZE(JIS 5191-SH)
C5210(t=0.12)

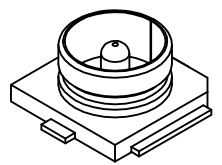
FINISH: GOLD PLATING(0.03 MICROMETER MINIMUM)
UNDERPLATE: NICKEL OVERALL(1~4 MICROMETER)

WILL WITHSTAND REFLOW
TEMPERATURE OF
265 DEG C ±5 DEG

VSWR

DC-3GHz: 1.18 MAX

DC-6GHz: 1.30 MAX



OPTIONAL NOTCH
FOR MOLEX USE ONLY

U.FL
INTERFACE

0.49 ± 0.05
.019 ± .002

1.30 ± 0.05
.051 ± .002

0.28 ± 0.05
.011 ± .002

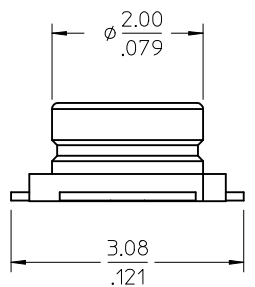
0.60
.024

0.24
.009

1.80
.071
2 PLACES

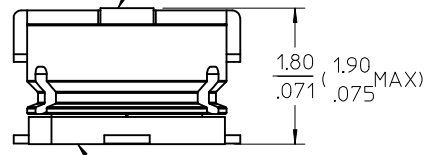
3.08
.121

3.00
.118



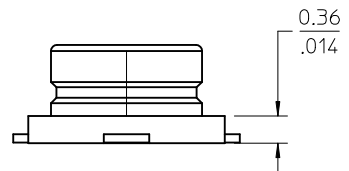
MATED HEIGHT

CMP H18 (MOLEX
P/N: 73118-0350)

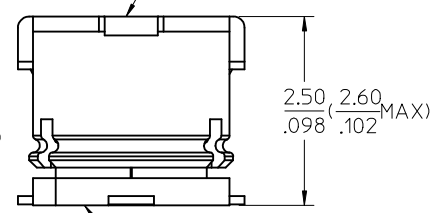


CMJ (MOLEX
P/N: 73412-0110)

(NOT INCLUDED WITH
73118-0350 ASSEMBLY)

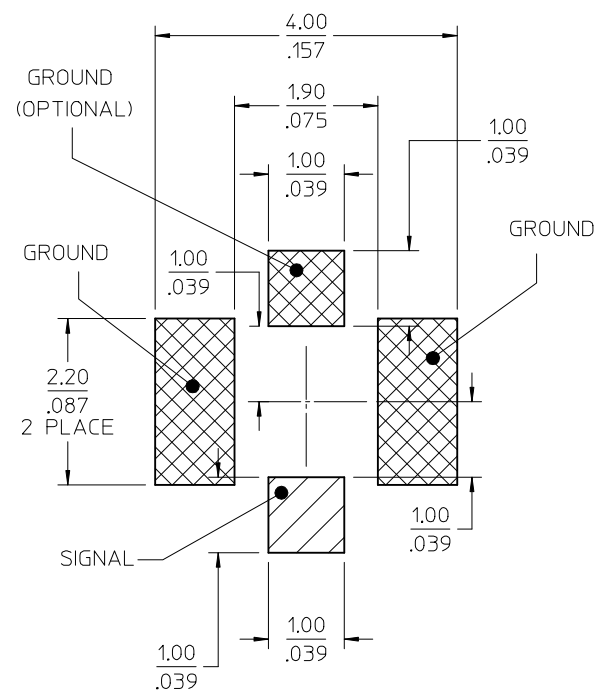


CMP H25 (MOLEX
P/N: 73118-0360)



CMJ (MOLEX
P/N: 73412-0110)

(NOT INCLUDED WITH
73118-0360 ASSEMBLY)



PS-73598-0210	PROD SPEC
SPECIFICATION	DESCRIPTION

73412-0114	TAPE AND REEL(1K/REEL)
73412-0112	73412-0110,10 PIECES PER BAG IN TAPE
73412-0110	TAPE AND REEL(5K/REEL)
PART NO.	PACKAGING

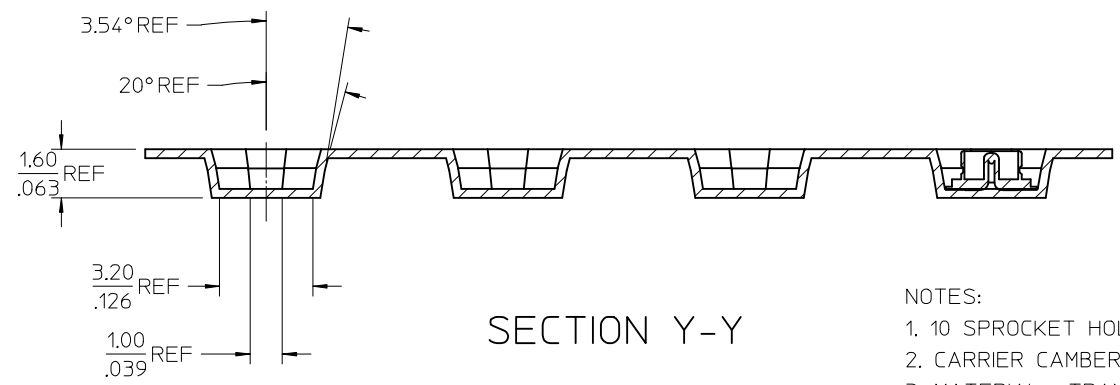
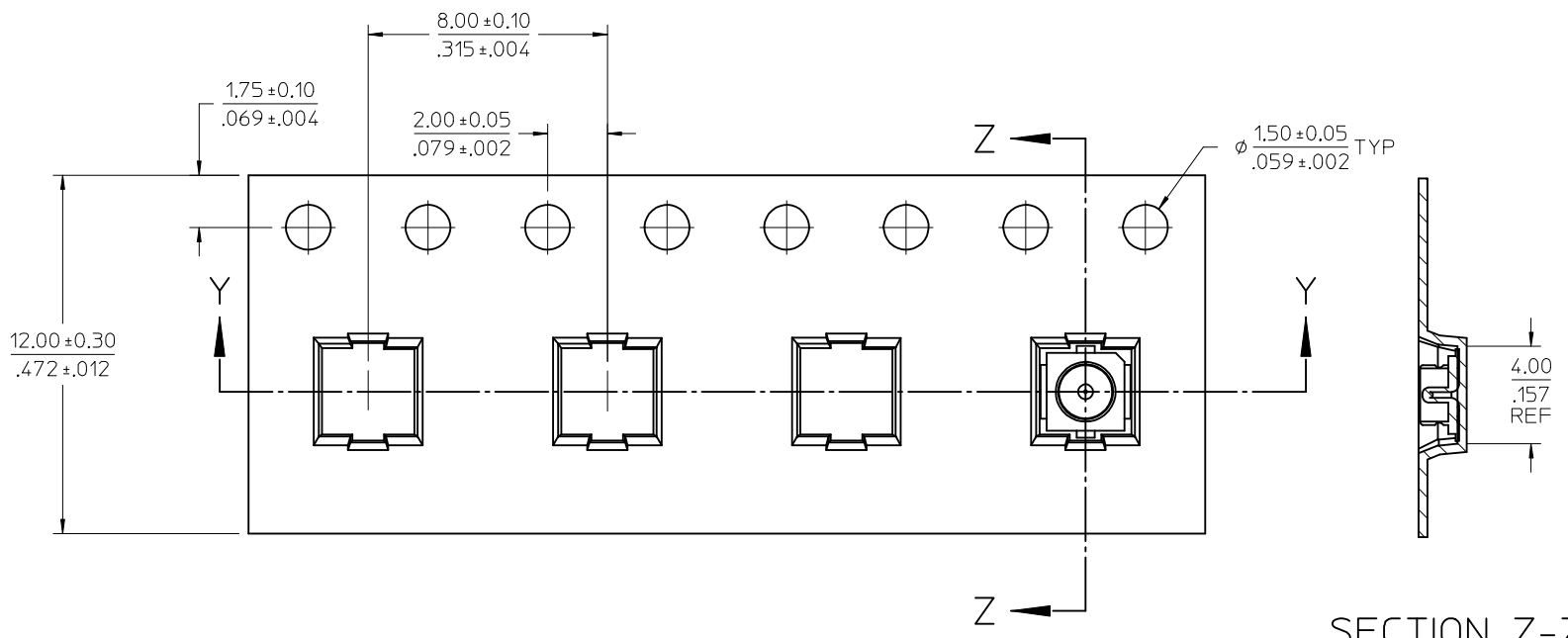
CHG: ADD MATERIAL & PLATING THICKNESS	EC NO: URF2013-0200
MATED HEIGHT	DRWNL: CHEN03
CHG: UPDATE	CHKD:
GEOMETRY	APPR: SRZHAO
EWR 4537	2012/08/31
	2012/10/18

QUALITY SYMBOLS	GENERAL TOLERANCES (UNLESS SPECIFIED)
▽=0	mm INCH
▽=0	4 PLACES ± --- ± ---
	3 PLACES ± --- ± ---
	2 PLACES ± 0.25 ± ---
	1 PLACE ± 0.13 ± ---
	ANGULAR ± 2 °
	DRAFT WHERE APPLICABLE MUST REMAIN WITHIN DIMENSIONS

DRAWN BY	DATE
DARRY	2003/1/27
CHECKED BY	DATE
JOHNSON	2003/1/27
APPROVED BY	DATE
MHUANG	2010/11/28
MATERIAL NO.	DOCUMENT NO.
SEE TABLE	SD-73412-011

SCALE	DESIGN UNITS	THIRD ANGLE PROJECTION
	METRIC	
MICRO COAXIAL CONNECTOR RECEPTACLE VERTICAL EWR-4537		
MOLEX INCORPORATED		

SHEET NO.	1 OF 2
THIS DRAWING CONTAINS INFORMATION THAT IS PROPRIETARY TO MOLEX INCORPORATED AND SHOULD NOT BE USED WITHOUT WRITTEN PERMISSION	



SECTION Z-Z

SECTION Y-Y

- NOTES:
- 10 SPROCKET HOLE PITCH CUMULATIVE TOLERANCE $\pm 0.20\text{mm}$
 - CARRIER CAMBER IS WITH 1mm IN 250mm
 - MATERIAL : TRANSPARENT POLYSTYRENE
 - ALL DIMENSIONS MEET EIA-481-1 REQUIREMENT
 - COMPONENT LOAD PER 13" REEL (5,000 PCS),
COMPONENT LOAD PER 7" REEL (1,000 PCS),

CHG: SEE SHEET 1 EC NO: URF2013-0200 DRWNL: CHEN03 2012/08/31 CHKD: APPR: SRZHAO 2012/10/18 C7	QUALITY SYMBOLS $\nabla=0$ $\nabla=0$	GENERAL TOLERANCES (UNLESS SPECIFIED)		DIMENSION STYLE MM/IN		SCALE METRIC	DESIGN UNITS METRIC		THIRD ANGLE PROJECTION																									
		<table border="1"> <tr> <th></th> <th>mm</th> <th>INCH</th> </tr> <tr> <td>4 PLACES</td> <td>\pm ---</td> <td>\pm ---</td> </tr> <tr> <td>3 PLACES</td> <td>\pm ---</td> <td>\pm ---</td> </tr> <tr> <td>2 PLACES</td> <td>± 0.25</td> <td>\pm ---</td> </tr> <tr> <td>1 PLACE</td> <td>± 0.13</td> <td>\pm ---</td> </tr> </table>		mm	INCH	4 PLACES	\pm ---	\pm ---	3 PLACES	\pm ---	\pm ---	2 PLACES	± 0.25	\pm ---	1 PLACE	± 0.13	\pm ---	<table border="1"> <tr> <td>DRAWN BY</td> <td>DATE</td> </tr> <tr> <td>DARRY</td> <td>2003/1/27</td> </tr> <tr> <td>CHECKED BY</td> <td>DATE</td> </tr> <tr> <td>JOHNSON</td> <td>2003/1/27</td> </tr> <tr> <td>APPROVED BY</td> <td>DATE</td> </tr> <tr> <td>MHUANG</td> <td>2010/11/28</td> </tr> </table>	DRAWN BY	DATE	DARRY	2003/1/27	CHECKED BY	DATE	JOHNSON	2003/1/27	APPROVED BY	DATE	MHUANG	2010/11/28	TITLE MICRO COAXIAL CONNECTOR RECEPTACLE VERTICAL EWR-4537		MOLEX INCORPORATED	
			mm	INCH																														
		4 PLACES	\pm ---	\pm ---																														
3 PLACES	\pm ---	\pm ---																																
2 PLACES	± 0.25	\pm ---																																
1 PLACE	± 0.13	\pm ---																																
DRAWN BY	DATE																																	
DARRY	2003/1/27																																	
CHECKED BY	DATE																																	
JOHNSON	2003/1/27																																	
APPROVED BY	DATE																																	
MHUANG	2010/11/28																																	
DRAFT WHERE APPLICABLE MUST REMAIN WITHIN DIMENSIONS		MATERIAL NO. SEE SHEET 1		DOCUMENT NO. SD-73412-011		SHEET NO. 2 OF 2																												