

# STEINEL®



## HB 1750

Printed in Germany



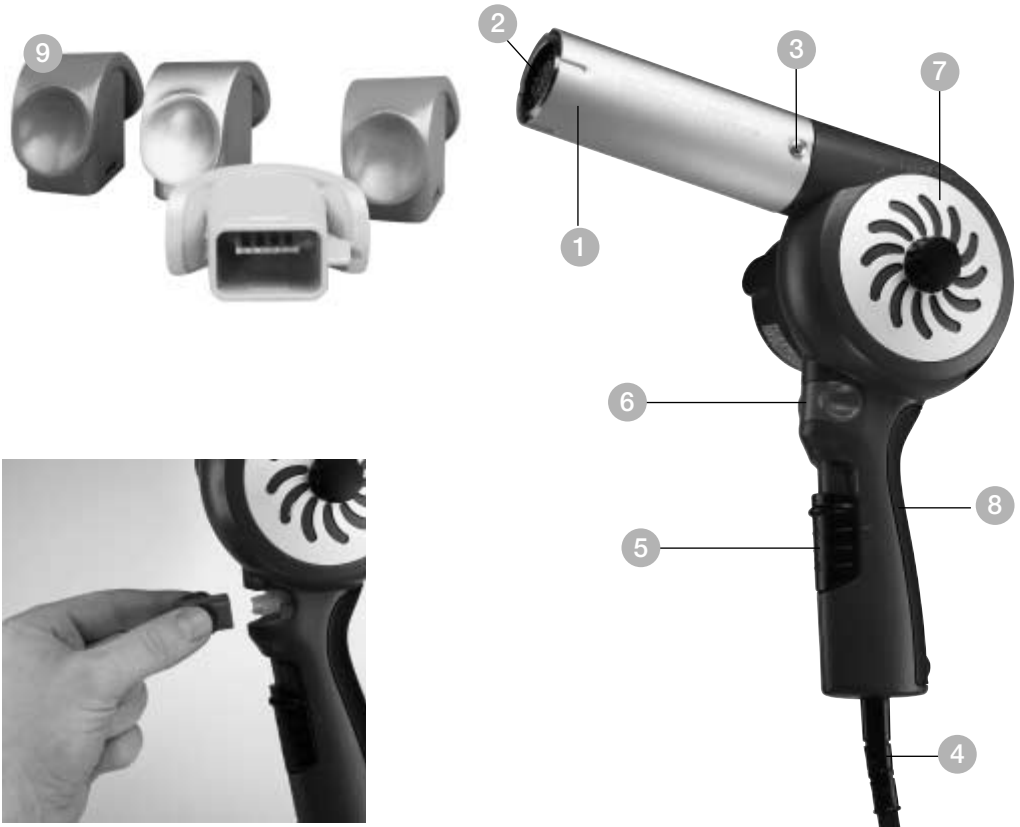
Listed/Répertorié/Registrado  
16C6

## Thank you

for purchasing a STEINEL heat tool. This device lets you perform a wide variety of tasks such as drying, shrinking, removing varnish, etc. safely and reliably.

All STEINEL devices are manufactured according to the highest standards and subjected to rigorous quality testing.

Used in the proper manner, this heat tool will give you lasting satisfaction.



## Device components

- |   |   |  |
|---|---|--|
| 1 Self-cooling aluminum output tube       | 5 Slide switch with cool air stage                | 9 Color coded keys each lock in a specific temperature range |
| 2 Mesh guard keeps out foreign bodies     | 6 Plug-in key                                     | 10 Base includes key storage area                            |
| 3 Remove screws to change heating element | 7 Baffle adjusts air and temperature within range | 11 Fully adjustable quick-lock stand                         |
| 4 Sturdy rubber power cord                | 8 Ergonomic soft grip handle                      | 12 Support for resting tool                                  |

10



11



### Available Accessories (sold separately)

Your dealer has these nozzles available for you as accessories

- A** 1/4" / 7 mm – Reduction nozzle for desoldering  
Item No. 07695
- B** 8" / 200 mm – Spreader for films, packaging  
and drying  
Item No. 07725

- C** Large reflector for shrink tubing up to 50 mm dia.  
Item No. 07705
- D** Small reflector for shrink tubing up to 20 mm dia.  
Item No. 07715



A

B



C

D

## IMPORTANT SAFETY INSTRUCTIONS

### READ THESE INSTRUCTIONS

**UL WARNING:** Read this instruction book before using. To reduce risk of fire or electric shock, do not expose to rain or moisture. Store indoors. Double insulated. When servicing, use only identical replacement parts. When using electric tools, basic safety precautions should always be followed to reduce risk of fire, electric shock and personal injury. This hot air gun operates at 1200°F with no visual indication of temperature (no flame). Never leave device unattended. Otherwise risk of fire. The heat stream at the outlet nozzle will burn flesh. Do not turn on heat gun with hand in front of nozzle. **DO NOT USE NEAR COMBUSTIBLE LIQUIDS. DO NOT USE FOR:** ● Heating gas engines ● Heating car batteries ● Thawing refrigerator equipment.

**WARNING:** Some dust created by power sanding, sawing, grinding, drilling and other construction activities contains chemicals known (to the State of California) to cause cancer, birth defects, or other reproductive harm. Some examples of these chemicals are:

- lead from lead-based paints,
- crystalline silica from bricks and cement and other masonry products, and
- arsenic and chromium from chemically-treated lumber.

Your risk from these exposures varies, depending on how often you do this type of work. To reduce your exposure to these chemicals: work in a well ventilated area, and work with approved safety equipment, such as those dust masks that are specially designed to filter out microscopic particles.

## WARNING!

This tool is capable of producing temperatures up to 1200° F of flameless heat at the nozzle. ALWAYS:

- Direct the heat away from yourself and others.
- Prevent ignition of combustible materials on or near the workpiece.
- Prevent blockage of intake and nozzle openings.
- Keep a fully charged fire extinguisher on hand.
- Allow the nozzle and accessory tips to cool to room temperature before storage.

## Cautions

1. **WARNING:** Hidden areas such as behind walls, ceilings, floors, soffit boards and other panels may contain flammable materials that could be ignited by the heat gun when working in these locations. The ignition of these materials may not be readily apparent and could result in property damage and injury to persons. Do not use if in doubt about this hazard. When working in these locations, keep the heat gun moving in a back-and-forth motion. Lingering or pausing in one spot could ignite the panel or the material behind it.
2. This heat gun can produce up to 1200° F of flameless heat at the nozzle. Do not direct airstream at clothing, hair or other body parts. Do not use as a hair dryer.
3. Do not use near flammable liquids or in an explosive environment (fumes, gases or dust). Remove materials or debris, that may become ignited, from work area.
4. Always hold tool by plastic enclosure. The metal nozzle requires approximately 20 minutes to cool after turning off the tool. Do not touch nozzle or accessory tips until cool.
5. Do not store tool until nozzle has cooled to room temperature. Place tool in a clear area away from combustible materials while cooling.
6. Do not cut off airflow by placing nozzle too close to workpiece. Keep intake vents clean and clear of obstructions.
7. Place cord in a position that won't cause tipping.
8. Do not leave tool unattended while running or cooling down. Otherwise risk of fire.
9. Keep a fully charged fire extinguisher nearby.
10. Do not direct airflow directly on glass.
11. Shield materials around the heated area to prevent damage or fire.
12. Use only with 120 V AC voltage.
13. Do not use in wet conditions.
14. Not to be used by children. This is not a toy and should be respected.
15. Do not use in bath or over water.
16. Safety glasses should be worn when using this tool.
17. It is recommended that leather gloves be worn when using a heat gun.

18. Always unplug after use.
19. **WARNING:** Extreme care should be taken when stripping paint. The peelings, residue and vapors of paint may contain lead, which is poisonous. Any pre-1977 paint may contain lead and paint applied to homes prior to 1950 is likely to contain lead. Once deposited on surfaces, hand to mouth contact can result in the ingestion of lead. Exposure to even low levels of lead can cause irreversible brain and nervous system damage; young and unborn children are particularly vulnerable. Before beginning any paint removal process you should determine whether the paint you are removing contains lead. This can be done by your local health department or by a professional who uses a paint analyzer to check the lead content of the paint to be removed. **LEAD-BASED PAINT SHOULD ONLY BE REMOVED BY A PROFESSIONAL AND SHOULD NOT BE REMOVED USING A HEAT GUN.**
20. Do not allow dust, debris or other contamination to enter the heat blower air intake. They may ignite or cause damage to the tool.

Persons removing materials should follow these guidelines.

1. Move the work piece outdoors. If this is not possible, keep the work area well ventilated. Open the windows and put an exhaust fan in one of them. Be sure the fan is moving the air from inside to outside.
2. Remove or cover any carpets, rugs, furniture, clothing, cooking utensils and air ducts.
3. Place drop cloths in the work area to catch any residue. Wear protective clothing such as extra work shirts, overalls and hats.
4. Work in one room at a time. Furnishings should be removed or placed in the center of the room and covered. Work areas should be sealed off from the rest of the dwelling by sealing doorways with drop cloths.
5. Children, pregnant or potentially pregnant women and nursing mothers should not be present in the work area until the work is done and all clean up is complete.
6. Wear a dust respirator mask or a dual filter (dust and fume) respirator mask which has been approved by the Occupational Safety and Health Administration (OSHA), the National Institute of Safety and Health (NIOSH), or the United States Bureau of Mines. These masks and replaceable filters are readily available at major hardware stores. Be sure the mask fits. Beards and facial hair may keep masks from sealing properly. Change filters often.  
**DISPOSABLE PAPER MASKS ARE NOT ADEQUATE.**
7. Use caution when operating the heat gun. Keep the heat gun moving as excessive heat will generate fumes which can be inhaled by the operator.
8. Keep food and drink out of the work area. Wash hands, arms and face and rinse mouth before eating or drinking. Do not smoke or chew gum or tobacco in the work area.
9. Clean up all removed residue and dust by wet mopping the floors. Use a wet cloth to clean all walls, sills and any other surface where residue or dust is clinging. **DO NOT SWEEP, DRY DUST OR VACUUM.** Use a high phosphate detergent or trisodium phosphate (TSP) to wash and mop areas.
10. At the end of each work session put the residue and debris in a double plastic bag, close it with tape or twist ties, and dispose of properly.
11. Remove protective clothing and work shoes in the work area to avoid carrying dust into the rest of the dwelling. Wash work clothes separately. Wipe shoes off with a wet rag that is then washed with the work clothes. Wash hair and body thoroughly with soap and water.

## SAVE THESE INSTRUCTIONS

### Please Note

This heat tool may emit a vapor during the first few minutes of operation. This is normal and due to residue from the manufacturing process. It is burned off after the first few minutes of operation.

## Double Insulated Tools

Tools marked with the words “Double Insulated” are equipped with a two prong plug. These tools have a special insulation system that complies with applicable UL and CSA standards. They do not require grounding. “Double Insulated” tools, like this one, have two prong cords and can use either a two or three prong extension cord.

“This appliance has a polarized plug (one blade is wider than the other). To reduce the risk of electric shock, this plug is intended to fit in a polarized outlet only one way. If the plug does not fit fully in the outlet, reverse the plug. If it still does not fit, contact a qualified electrician. Do not modify the plug in any way.”

## Extension Cords

As the distance from the supply outlet increases, heavier gauge extension cords are required. The use of extension cords of inadequate size wire causes a serious drop in voltage and loss of power. Protect the cord from damage. Keep cords away from excessive heat, sharp edges and damp or wet areas. Repair or replace damaged extension cords before using.

| Ext. Cord Length | Wire Size |
|------------------|-----------|
| 85 Ft.           | 14        |
| 100 Ft.          | 12        |
| 170 Ft.          | 10        |
| 270 Ft.          | 8         |
| 400 Ft.          | 6         |
| 650 Ft.          | 4         |

## Technical specifications

|                            |  |
|----------------------------|--|
| Voltage                    | 120 V / 60 Hz  |
| Output                     | 1750 W   |
| Airflow                    | up to 23 CFM, adjustable with baffle   |
| Temperatures               | Level 1: 80°F<br>Level 2: selected by key  |
| Available Temperature Keys | Red: 1000 – 1200 °F<br>Orange: 750 – 1000 °F<br>Yellow: 500 – 750 °F<br>Grey: 300 – 500 °F<br>Blue: 200 – 300 °F |
| Protection class           | Double insulated   |

| Item No. | Model     | Description                 | Temperature Range |
|----------|-----------|-----------------------------|-------------------|
| 34750    | HB 1750   | Heat Blower with all 5 Keys | 200 – 1200 °F     |
| 34751    | HB 1750 B | Heat Blower with Blue Key   | 200 – 300 °F      |
| 34752    | HB 1750 G | Heat Blower with Gray Key   | 300 – 500 °F      |
| 34753    | HB 1750 Y | Heat Blower with Yellow Key | 500 – 750 °F      |
| 34754    | HB 1750 O | Heat Blower with Orange Key | 750 – 1000 °F     |
| 34755    | HB 1750 R | Heat Blower with Red Key    | 1000 – 1200 °F    |

## For your safety

This heat tool incorporates a thermal fuse which automatically switches the device off in cases of severe overheating.

## Getting started

### Operation

The device is switched on and off with the selector switch on the front of the handle. The distance from the object being processed depends on the material and the intended type of processing.

Always do an initial test with regard to air volume and temperature. With the optional accessory nozzles (see accessories on page 3), the hot air can be precisely targeted to specific points or sur-

faces. **Exercise caution when changing hot nozzles!** When you use the heat gun as a stationary device, ensure that it is positioned securely on a clean surface so that it cannot slip.

### Temperature Selection

**Level 1** is the cool air setting. The temperature is approximately 80°F (room temperature). Use the cool air function to dry paint, to cool workpieces or to cool the nozzle before changing an accessory part. At **Level 2** the blower temperature is determined by means

of the key used and the position of the rotary wheel. Color coded keys each lock in a specific temperature range. When not in use, keys may be stored on the convenient base. Disconnect the device from the power supply before changing the keys. Remove the key to be

changed from the device using your thumb and index finger. Select the desired temperature key from the stand and insert it into the unit. After the key locks into the unit, the device can be switched on again.

### Adjustable Baffle

Turn the baffle **7** to adjust the air and temperature within the range allowed by the key in use. Turning the baffle toward LO low-

ers the temperature while increasing the airflow. Turning the baffle toward HI increases the temperature while decreasing the airflow.

See Technical Specifications for the temperature range defined by each key.

### Working with the stand

Push the quick-lock switch **1** on the base using your thumb and index finger and set the

device into the guide channel. Then release. Press the locking switch to adjust the blower

direction of the HB 1750 by swivelling it.

### Changing the heating element

The HB 1750's plug-in heating element is quick and easy to change.

1. **Caution!** Disconnect the device from the power supply. Exercise caution if the device was being used previously.

The protective tubing will be very hot. Let it cool down first!

- Unscrew the the two screws **3** at the end of the protective tubing.
- Remove the protective tubing.
- Remove the heating element and replace it with a new one.

5. Replace the protective tubing and screw it tight.

## Limited Warranty

STEINEL warrants that STEINEL brand heat tools are free from defects in materials and workmanship. The warranty for STEINEL heat tools is one year from the date of original purchase.

Products failing to give satisfactory service must be returned to STEINEL for diagnosis and evaluation. Tools found to have failed due to defective materials or workmanship will be repaired or replaced at STEINEL's election and expense.

**Consumable products are not covered by any warranty. Consumables are products reasonably expected to be used up or damaged during use, as well as products with a shelf life, such as certain glues. Note that while heating elements are consumable products, STEINEL DOES warrant them for one year under normal use, which for heating elements is defined as up to 500 hours of operation.**

STEINEL does NOT warrant any product or part subject to abnormal use or abuse. Specifically excluded from warranty are tools that have been misused, modified, mounted on machinery/equipment, opened or repaired by anyone other than STEINEL, and products that have been worn by continuous or production service use. STEINEL does not provide any warranty for tools which have been improperly maintained, neglected, or subject to unreasonable conditions or use.

STEINEL shall NOT be liable for any incidental or consequential costs or damages arising from the use of the product or incurred by the purchaser or others, including but not limited to lost sales, profits, business opportunities, goodwill, interruption of business, failure to deliver and any other damage or injury. Some states do not allow the exclusion or limitation of incidental or consequential damages, so the above limitation or exclusion may not apply to you.

This warranty is your exclusive remedy and is in place of all other rights and remedies. You may have other rights which vary from state to state or country.

Please contact STEINEL for an RGA prior to returning any product for warranty claim. Have ready your proof of purchase and complete information regarding conditions of use and difficulties experienced.

### FUNCTIONAL

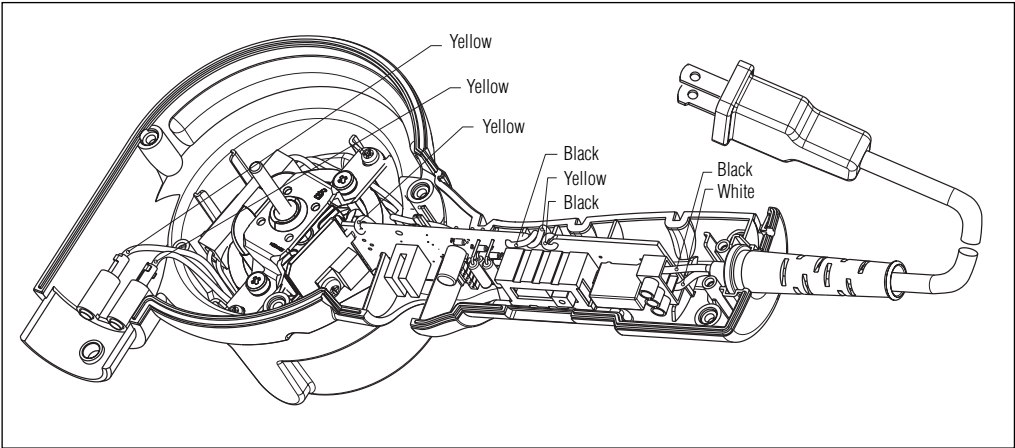
12 month

### WARRANTY

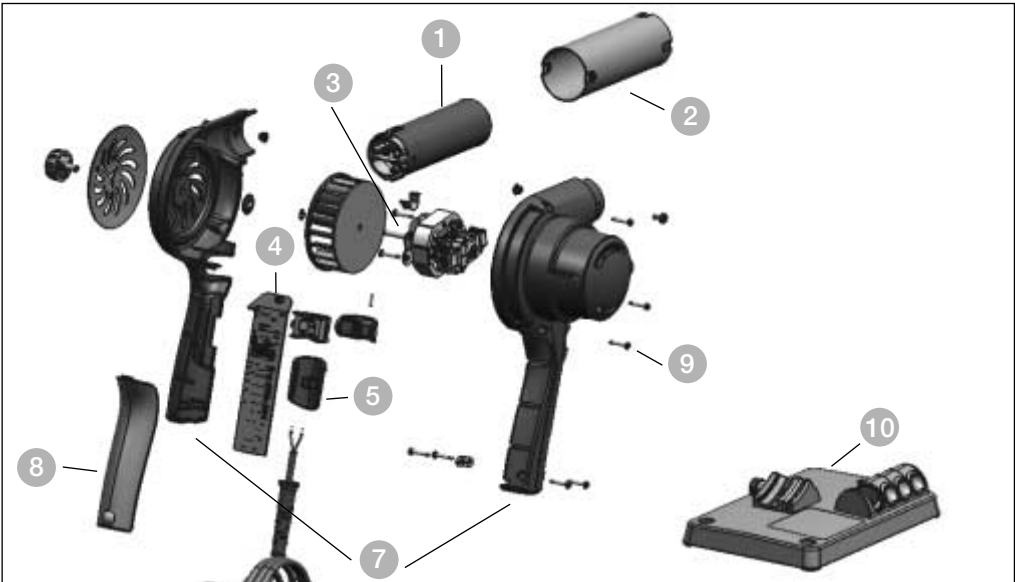
STEINEL America Inc.  
9051 Lyndale Avenue South  
Bloomington, MN 55420  
Tel.: 952-888-5950  
Fax: 952-888-5132  
Toll free: 1-800-852-4343

E-mail: [sales@steinel.net](mailto:sales@steinel.net)  
Visit our website: [www.steinel.net](http://www.steinel.net)





Spare Parts List HB 1750



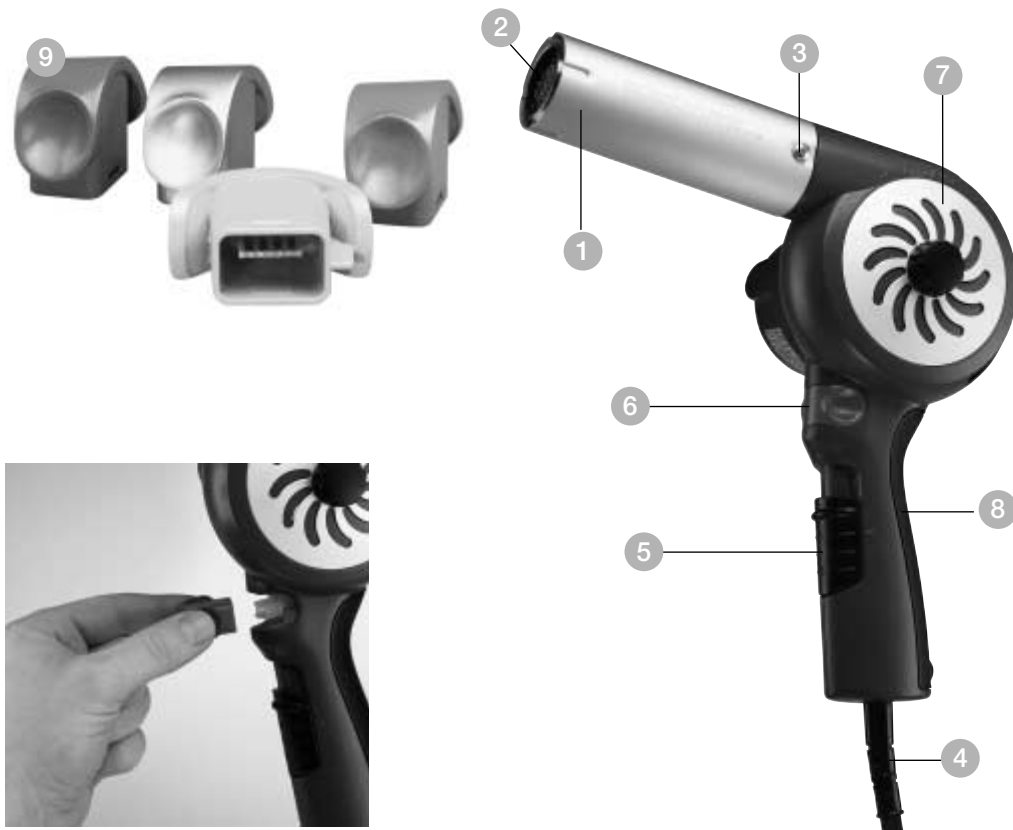
| HB 1750                 | Pos. | Item No. |
|-------------------------|------|----------|
| heating element         | 1    | 06110    |
| protection tube         | 2    | 06111    |
| motor unit              | 3    | 06112    |
| motor circuit board     | 4    | 06113    |
| switch                  | 5    | 06114    |
| cord                    | 6    | 06115    |
| housing set with labels | 7    | 06116    |
| soft grip               | 8    | 06117    |
| housing screws set      | 9    | 06118    |
| quick-lock stand        | 10   | 06119    |

## Merci

d'avoir acheté un outil à air chaud STEINEL. Cet appareil vous permet de réaliser une grande variété de tâches comme sécher, rétrécir, retirer du vernis, etc., en toute sécurité et en toute fiabilité.

Tous les appareils STEINEL sont fabriqués selon les normes les plus élevées et soumis à des tests de qualité très rigoureux.

Utilisé correctement, cet outil à air chaud vous donnera satisfaction pendant longtemps.



## Composants de l'appareil

- 1 Tube de sortie en aluminium autorefroidissant
- 2 Le grillage de protection empêche les corps étrangers de rentrer
- 3 Vis à retirer pour changer l'élément chauffant
- 4 Cordon de courant en caoutchouc solide
- 5 Interrupteur à coulisse avec palier d'air frais
- 6 Clé à enficher
- 7 Le déflecteur ajuste l'air et la température à l'intérieur de la gamme
- 8 Poignée à revêtement souple ergonomique
- 9 Chacune des clés à codage de couleur verrouillent une gamme de température spécifique
- 10 La base comprend une zone de stockage des clés
- 11 Support d'enclenchement rapide entièrement ajustable
- 12 Support pour poser l'outil

10



11



## Accessoires disponibles (vendus séparément)

Vous pouvez vous procurer ces buses en tant qu'accessoires chez votre détaillant

**A** Buse de réduction 1/4" / 7 mm  
pour le dessoudage  
Réf. 07695

**B** Écarteur 8" / 200 mm pour les films,  
l'emballage et le séchage  
Réf. 07725

**C** Grand réflecteur pour le rétrécissement de tubes  
jusqu'à 50 mm de diamètre  
Réf. 07705

**D** Petit réflecteur pour le rétrécissement de tubes  
jusqu'à 20 mm de diamètre  
Réf. 07715



## CONSIGNES DE SECURITE IMPORTANTES

### LISEZ CES INSTRUCTIONS

**ATTENTION UL :** Lisez ce manuel d'instructions avant l'utilisation. Pour réduire les risques d'incendie ou de chocs électriques, n'exposez pas à la pluie ou à l'humidité. Entreposez à l'intérieur. Double isolation. Pour toute réparation, utilisez exclusivement des pièces de rechange identiques aux pièces d'origine. Lors de l'utilisation d'outils électriques, observez toujours les consignes de sécurité de base afin de réduire le risque d'incendie, de choc électrique et de blessures corporelles. Ce pistolet à air chaud fonctionne à une température de 1200°F (648°C) sans aucune indication visuelle de température (pas de flamme). Ne laissez jamais le dispositif sans surveillance. Sinon, risque d'incendie. Le filet de chaleur au niveau de la buse de sortie brûle la chair. Ne mettez pas le pistolet en marche avec la main devant la buse. **N'UTILISEZ PAS À PROXIMITÉ DE LIQUIDES COMBUSTIBLES. N'UTILISEZ PAS CET OUTIL POUR :**

- Réchauffer les moteurs à gaz
- Réchauffer les batteries de voitures
- Dégeler l'équipement de réfrigérateur.

**ATTENTION :** Certaines poussières générées par les travaux de ponçage, sciage, meulage, perçage et autres activités de construction contiennent des produits chimiques connus (par l'état de Californie) pour causer le cancer, des malformations congénitales ou des lésions de l'appareil reproducteur. Quelques exemples de ces produits chimiques :

- Plomb provenant de peintures à base de plomb,
- Silice cristalline provenant de briques et de ciment et d'autres produits de maçonnerie et
- Arsenic et chrome provenant de bois traité chimiquement.

Le risque présenté par l'exposition à ces produits varie en fonction de la fréquence de ce type de travail. Pour réduire l'exposition à ces produits chimiques : travaillez dans un endroit bien aéré et utilisez des équipements de sécurité approuvés tels que masques antipoussières spécialement conçus pour filtrer les particules microscopiques.

## ATTENTION !

Cet outil est capable de produire des températures pouvant atteindre 1200°F (648°C) de chaleur sans flamme au niveau de la buse. **TOUJOURS:**

- Dirigez la chaleur à l'écart de vous-même et des autres.
- Évitez l'inflammation de matériaux combustibles sur ou près de la pièce à usiner.
- Évitez le blocage des orifices d'aération et des buses.
- Gardez à portée de main un extincteur complètement chargé.
- Laissez le temps à la buse et aux embouts de refroidir à la température ambiante avant de les ranger.

## Précautions

1. **ATTENTION :** les zones cachées comme par exemple derrière les murs, les plafonds, les planchers, les panneaux de coffrage les autres panneaux peuvent contenir des matériaux inflammables susceptibles d'être enflammés par le pistolet à air chaud lorsqu'on travaille dans ces locaux. L'inflammation de ces matériaux peut ne pas être d'emblée apparente et pourrait avoir pour conséquence des matériaux et des blessures. N'utilisez pas si vous avez des doutes quant à ce risque. Lorsque vous travaillez au niveau de ces emplacements, maintenez le pistolet à air chaud en mouvement vers l'arrière et vers l'avant. Le fait de s'attarder ou de marquer un temps d'arrêt en un point donné peut provoquer l'inflammation du panneau ou du matériau situé en arrière du pistolet.
2. Ce pistolet à air chaud peut produire jusqu'à 1200°F (648°C) de chaleur sans flamme au niveau de la buse. Ne dirigez pas le flux d'air vers les vêtements, les cheveux ou une quelconque partie du corps. Ne l'utilisez pas comme sèche-cheveux.
3. N'utilisez pas à proximité de liquides inflammables ou dans un environnement explosif (fumées, gaz ou poussière). Éliminez les matériaux ou débris susceptibles de s'enflammer sur la surface de travail.
4. Tenez toujours l'outil par le boîtier en plastique. La buse métallique a besoin d'environ 20 minutes pour se refroidir une fois l'outil éteint. Ne pas toucher la buse ou les embouts avant qu'ils n'aient refroidi.
5. N'entreposez pas l'outil jusqu'à ce que la buse soit revenue à la température ambiante. Pendant son refroidissement, placez l'outil dans une zone dégagée dépourvue de tout matériau inflammable.
6. Ne coupez pas le flux d'air en plaçant la buse trop près de la pièce à usiner. Maintenez propres les ouvertures d'aération et empêchez leur obstruction.
7. Placez le cordon dans une position qui n'entraînera pas de basculement.
8. Ne laissez pas l'outil sans surveillance lorsqu'il est en train de fonctionner ou de refroidir. Sinon, risque d'incendie.
9. Disposez d'un extincteur entièrement chargé à proximité.
10. Ne dirigez pas le flux d'air directement sur le verre.
11. Protégez les matériaux situés autour de la zone chauffée pour éviter des dommages ou un incendie.
12. Utilisez uniquement avec une tension de 120 V CA.
13. N'utilisez pas en conditions d'humidité.
14. Ne doit pas être utilisé par les enfants. Cet outil n'est pas un jouet et doit être utilisé avec précaution.

15. N'utilisez pas dans la salle de bain ou sur l'eau.
16. Portez des lunettes de sécurité pendant l'utilisation de cet outil.
17. Il est recommandé de porter des gants de cuir pendant l'utilisation d'un pistolet à air chaud.
18. Toujours débrancher après usage.
19. **ATTENTION** : Procédez avec une extrême prudence lors des travaux de décapage de peinture. Les déchets, résidus et vapeurs de peinture peuvent contenir du plomb, une substance nocive pour la santé. Toute peinture appliquée avant 1977 peut contenir du plomb, et la peinture appliquée à des logements avant 1950 contient probablement du plomb. Une fois qu'il est déposé sur les surfaces, un contact de la main à la bouche peut entraîner l'ingestion de plomb. L'exposition au plomb, même à doses très faibles, peut causer des lésions irréversibles du cerveau et du système nerveux ; les jeunes enfants et les fœtus sont particulièrement vulnérables. Avant de vous lancer dans un processus de retrait de peinture, renseignez-vous afin de savoir si la peinture que vous êtes en train de décapier contient du plomb. Ceci peut être effectué par votre service de santé local ou par un professionnel utilisant un système d'analyse de la peinture pour vérifier le contenu de plomb de la peinture à décapier. LA PEINTURE À BASE DE PLOMB DOIT UNIQUEMENT ÊTRE RETIRÉE PAR UN PROFESSIONNEL ET NE DOIT PAS ÊTRE RETIRÉE EN UTILISANT UN PISTOLET À AIR CHAUD.
20. Faites en sorte que la poussière, les débris ou toute autre contamination n'entrent pas dans l'admission d'air du souffleur d'air chaud. Ils pourraient s'enflammer ou causer des dommages au niveau de l'outil.

Les personnes retirant des matériaux doivent observer ces instructions.

1. Emmenez la pièce à usiner à l'extérieur. Si les circonstances ne le permettent pas, maintenez la zone de travail bien ventilée. Ouvrez les fenêtres et placez un ventilateur dans l'une d'elles. Veillez à ce que le ventilateur évacue l'air vers l'extérieur.
2. Retirez ou couvrez tous les tapis, les carpettes, les meubles, les vêtements, les ustensiles de cuisine et les conduites d'air.
3. Placez des pièces de tissu de protection dans la zone de travail pour récupérer les résidus. Portez des vêtements protecteurs tels qu'une chemise de travail supplémentaire ou une combinaison et un couvre-chef.
4. Ne travaillez que dans une seule pièce à la fois. Les meubles doivent être retirés ou placés au centre de la pièce et couverts. Les zones de travail doivent être isolées du reste de la résidence en calfeutrants les entrées avec des toiles de protection.
5. Les enfants, les femmes enceintes ou potentiellement enceintes et les mères qui allaitent ne doivent pas séjourner dans la zone de travail jusqu'à ce que le travail soit terminé et que tout le nettoyage soit effectué.
6. Portez un masque respiratoire simple (poussières) ou double (poussières et vapeurs) agréé par l'OSHA (Occupational Safety and Health Administration), le NIOSH (National Institute of Safety and Health) ou le bureau des mines américain. Ces masques et filtres remplaçables sont en vente dans la plupart des quincailleries. Assurez-vous que le masque effectue bien. La barbe et les cheveux peuvent empêcher une bonne étanchéité à l'air. Changez les filtres régulièrement. **LES MASQUES JETABLES EN PAPIER N'OFFRENT PAS UNE PROTECTION SUFFISANTE.**
7. Faites preuve de précaution lorsque vous vous servez du pistolet à air chaud. Il doit toujours être gardé en mouvement, car une chaleur excessive peut dégager des vapeurs.
8. Maintenez la nourriture et la boisson à distance de la zone de travail. Lavez-vous les mains, les bras et le visage, puis rincez-vous la bouche avant de boire ou manger. Ne fumez pas ou ne mâchez pas de tabac ou de chewing-gum sur le lieu de travail.
9. Évacuez tous les résidus retirés et la poussière en passant la serpillière sur les sols. Utilisez un chiffon humide pour nettoyer tous les murs, seuils et toute autre surface sur laquelle adhèrent des résidus ou de la poussière. **NE BALAYEZ PAS, N'ESSUYEZ PAS À SEC ET N'ASPIREZ PAS.** Utilisez un détergent à haute teneur en phosphate ou du phosphate trisodique (TSP) pour laver et nettoyer les lieux de travail.
10. À la fin de chaque séance de travail, placez les résidus et débris dans un sac en plastique double, fermez-le avec un ruban ou une attache et mettez-le au rebut correctement.
11. Retirez les vêtements de protection et les chaussures de travail dans la zone de travail afin d'éviter de transporter de la poussière dans le reste du logement. Lavez les vêtements de travail séparément. Essuyez les chaussures avec un chiffon humide et lavez ce chiffon avec les vêtements de travail. Lavez-vous les cheveux et le corps avec de l'eau et du savon.

## CONSERVEZ CES INSTRUCTIONS

### Nota

Cet outil thermique peut émettre de la vapeur au cours de ses premières minutes de fonctionnement. Ce phénomène est normal et causé par les résidus issus du processus de fabrication. Ils se consumeront après les toutes premières minutes de fonctionnement.

## Outils à double isolation

Les outils repérés des mots « double isolation » sont équipés d'une fiche à deux broches. Ces outils disposent d'un système d'isolation spécial répondant aux normes applicables de Underwriter's Laboratories Inc. et du Canadian Standards Association. Ils ne nécessitent pas de mise à la terre. Les outils à « double isolation », comme celui-ci, ont des cordons à deux broches et peuvent utiliser une rallonge soit à deux, soit à trois broches.

« Cet équipement a une fiche polarisée (une lame est plus large que l'autre). Afin de réduire les risques de chocs électriques, cette fiche ne peut être branchée sur une prise polarisée que dans un sens. Si la fiche ne peut pas être insérée totalement dans la prise, l'inverser. Si elle ne peut toujours pas être engagée, contacter un électricien qualifié. Ne modifiez en aucune manière la fiche. »

## Rallonges

Plus la distance entre l'outil et la prise secteur augmente, plus la section des cordons de rallonge doit être élevée. L'utilisation de cordons prolongateurs de dimensions inadaptées peut provoquer une grave chute de tension ainsi qu'une perte de puissance. Protégez le cordon contre les détériorations. Tenez les cordons à l'écart de toute chaleur excessive, des arêtes vives, de la vapeur ou des zones humides. Réparez ou remplacez les cordons de rallonge endommagés avant toute utilisation.

| Long. de la rallonge | Dim. du fil |
|----------------------|-------------|
| 85 pieds (25 m)      | 14          |
| 100 pieds (30 m)     | 12          |
| 170 pieds (51 m)     | 10          |
| 270 pieds (82 m)     | 8           |
| 400 pieds (122 m)    | 6           |
| 650 pieds (198 m)    | 4           |

## Caractéristiques techniques

|                                 |  |
|---------------------------------|--|
| Tension                         | 120 V / 60 Hz  |
| Débit                           | 1750 W   |
| Flux d'air                      | Jusqu'à 23 CFM, réglable avec le déflecteur  |
| Températures                    | Niveau 1 : 80°F (26°C)<br>Niveau 2 : sélectionné par la clé  |
| Clés de température disponibles | Rouge : 1000-1200°F (537-648°C)<br>Orange : 750-1000°F (398-537°C)<br>Jaune : 500-750°F (260-398°C)<br>Gris : 300-500°F (148-260°C)<br>Bleu : 200-300°F (93-148°C) |
| Degré de protection             | Double isolation   |

| Réf.  | Modèle    | Description                           | Gamme de températ.      |
|-------|-----------|---------------------------------------|-------------------------|
| 34750 | HB 1750   | Souffleur d'air chaud avec les 5 clés | 200-1200°F (93-648°C)   |
| 34751 | HB 1750 B | Souffleur d'air chaud avec clé bleue  | 200-300°F (93-148°C)    |
| 34752 | HB 1750 G | Souffleur d'air chaud avec clé grise  | 300-500°F (148-260°C)   |
| 34753 | HB 1750 Y | Souffleur d'air chaud avec clé jaune  | 500-750°F (260-398°C)   |
| 34754 | HB 1750 O | Souffleur d'air chaud avec clé orange | 750-1000°F (398-537°C)  |
| 34755 | HB 1750 R | Souffleur d'air chaud avec clé rouge  | 1000-1200°F (537-648°C) |

## Pour votre sécurité

Cet outil à air chaud comporte un fusible thermique qui éteint automatiquement l'appareil en cas de surchauffe importante.

## Démarrage

### Fonctionnement

L'appareil s'allume et s'éteint à l'aide de l'interrupteur de sélection qui se trouve à l'avant de la poignée. La distance par rapport à l'objet traité dépend du matériau et du type de traitement recherché. Faites toujours un test initial du vo-

lume d'air et de la température. Avec les buses accessoires en option (voir accessoires à la page 3), l'air chaud peut être dirigé avec précision vers des points ou surfaces spécifiques. **Faites très attention lors du changement de**

**buses chaudes !** Lorsque vous utilisez le pistolet à air chaud comme appareil fixe, assurez-vous qu'il est positionné en toute sécurité sur une surface propre de manière à ne pas glisser.

### Sélection de la température

Le **niveau 1** est le réglage d'air frais. La température est d'environ 80°F (26°C) (température ambiante). Utilisez la fonction air frais pour sécher de la peinture, pour refroidir des pièces à usiner ou pour refroidir la buse avant de changer un accessoire. Au **niveau 2**, la température du souffleur est déterminée au

moyen de la clé utilisée et de la position de la roue rotative. Chacune des clés à codage de couleur verrouille une gamme de température spécifique. Lorsqu'elles ne sont pas utilisées, les clés peuvent être rangées sur la base pratique. Débranchez l'appareil de l'arrivée de courant avant de changer les clés.

Retirez la clé à changer de l'appareil en utilisant votre pouce et votre index. Sélectionnez la clé de température désirée au niveau du support et insérez-la dans l'unité. Une fois que la clé s'est enclenchée dans l'unité, l'appareil peut être rallumé.

### Déflexeur réglable

Tournez le déflexeur **7** pour ajuster l'air et la température dans la gamme autorisée par la clé utilisée. Lorsque vous tournez le déflexeur

vers LO, la température diminue et la circulation d'air augmente. Lorsque vous tournez le déflexeur vers HI, la température augmente et

la circulation d'air diminue. Vous trouverez la gamme de température définie par chaque clé dans les Spécifications techniques.

### Travailler avec le support

Poussez l'interrupteur d'enclenchement rapide **11** sur la base en utilisant votre pouce et votre index et

placez l'appareil dans le guide profilé. Puis relâchez. Appuyez sur l'interrupteur d'enclenchement pour

réglér la direction du souffleur d'air du HB 1750 en le faisant pivoter.

### Changer l'élément chauffant

L'élément chauffant à enficher du HB 1750 est rapide et facile à changer.

- 1. Attention !** Débranchez l'appareil de l'arrivée de courant. Faites preuve de prudence si

l'appareil a été utilisé précédemment. La gaine de protection sera très chaude. Commencez par la laisser refroidir !

- Dévissez les deux vis **3** situées à l'extrémité de la gaine de protection.

- Retirez la gaine de protection.
- Retirez l'élément chauffant et remplacez-le par un nouveau.
- Remplacez la gaine de protection et vissez-la bien.

## Garantie limitée

STEINEL garantit que les outils à air chaud STEINEL sont dépourvus de défauts de matériaux et de main d'œuvre. La garantie portant sur les outils à air chaud STEINEL est d'un an à partir de la date d'achat d'origine.

Les produits ne fournissant pas un service satisfaisant doivent être retournés à STEINEL à des fins de diagnostic et d'évaluation. Les outils constatés comme ayant connu une défaillance due à des défauts de matériaux ou de main d'œuvre seront réparés ou remplacés au choix et aux frais de STEINEL.

**Les produits consommables ne sont pas soumis à une quelconque garantie. Les produits consommables sont des marchandises qui doivent, raisonnablement, être consommées ou endommagées au cours de l'utilisation, ainsi que les produits ayant une durée limite de stockage, comme certaines colles. À noter que si les éléments chauffants sont des produits consommables, STEINEL les inclut dans la garantie d'1 an en utilisation normale, qui est définie comme allant jusqu'à 500 heures de service.**

STEINEL n'apporte AUCUNE garantie sur tout produit soumis à un usage normal ou à un abus. Les outils qui ont fait l'objet d'abus, qui ont été modifiés, montés sur des machines/équipements, ouverts ou réparés par quiconque autre que STEINEL, et les produits qui ont été usés par l'usage en service continu ou en production, sont spécifiquement exclus de la garantie. STEINEL ne fournit aucune garantie pour les outils qui n'ont pas été correctement entretenus, qui ont été négligés ou soumis à des conditions d'utilisation non raisonnables.

La responsabilité de STEINEL ne sera PAS engagée pour les coûts ou dommages accessoires ou consécutifs occasionnés par l'utilisation du produit ou subits par l'acheteur ou autrui, y compris, mais sans s'y limiter, pertes de ventes, de bénéfices, d'opportunités commerciales, de fonds de commerce, interruption d'activité, impossibilité de livrer et tout autre préjudice ou dommage. Certains états ne permettent pas l'exclusion ou la limitation des dommages indirects ou consécutifs, il se peut donc que la limitation susmentionnée ne s'applique pas à vous.

La présente garantie est votre recours exclusif et se substitue à tous les autres droits et remèdes. Vous pouvez disposer d'autres droits variant d'un état à l'autre ou d'un pays à l'autre.

Veillez contacter STEINEL en vue d'une RGA (autorisation de retour de produits) avant de retourner un produit pour un recours en garantie. Tenez à disposition votre preuve d'achat et les informations complètes relatives à l'utilisation et aux difficultés connues.

### GARANTIE

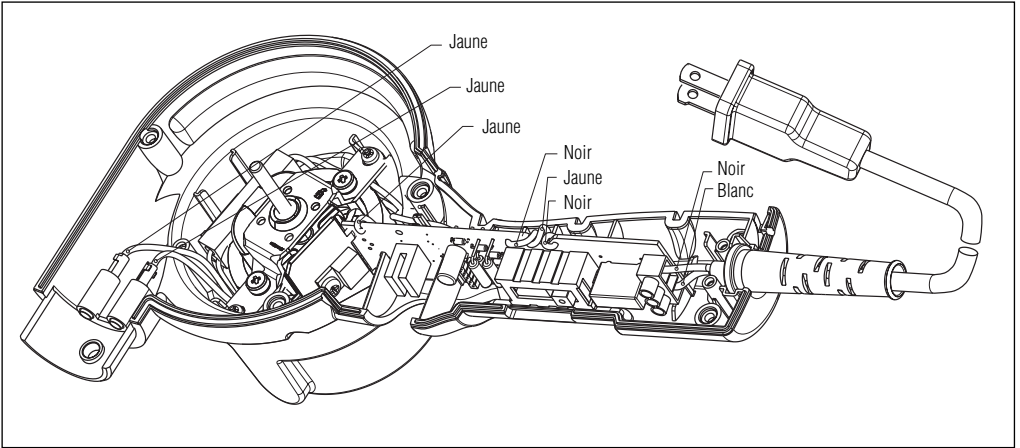
12 mois

### DE FONCTIONNEMENT

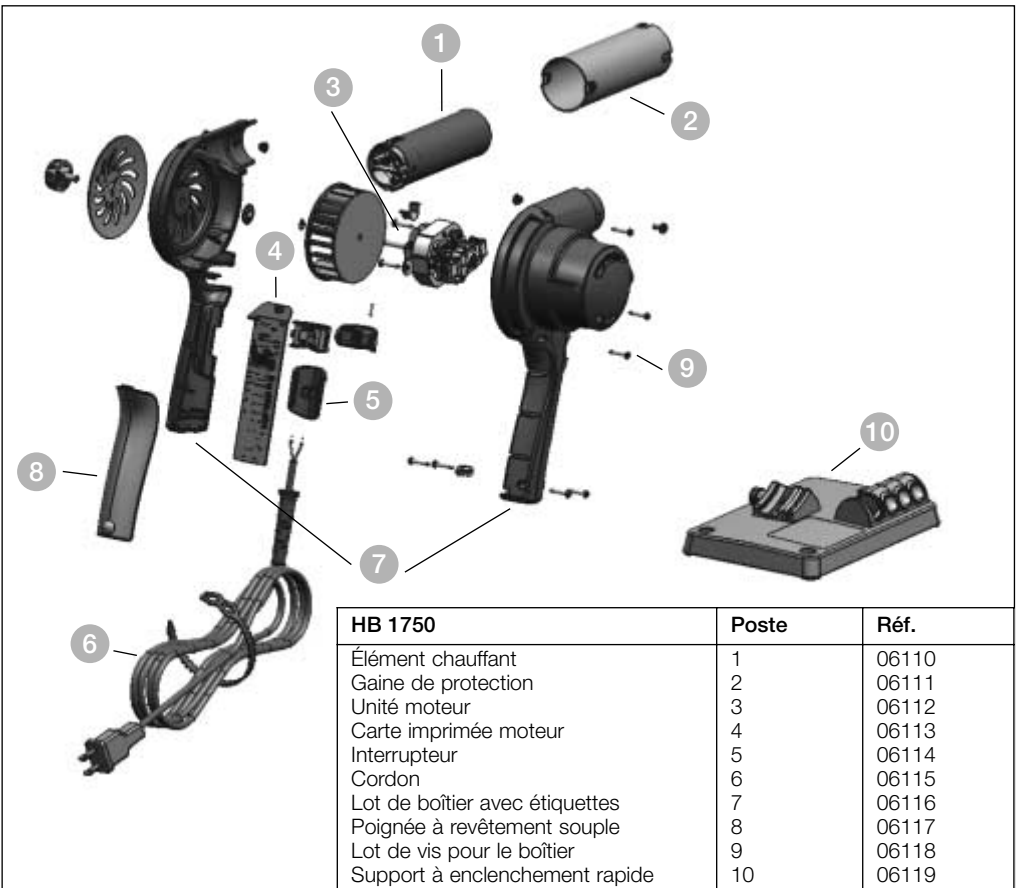
STEINEL America Inc.  
9051 Lyndale Avenue South  
Bloomington, MN 55420  
Téléphone : 952-888-5950  
Télécopieur : 952-888-5132  
Numéro vert : 1-800-852-4343

Courrier : sales@steinel.net  
Rendez-vous sur notre site Internet : www.steinel.net





Liste de pièces détachées HB 1750

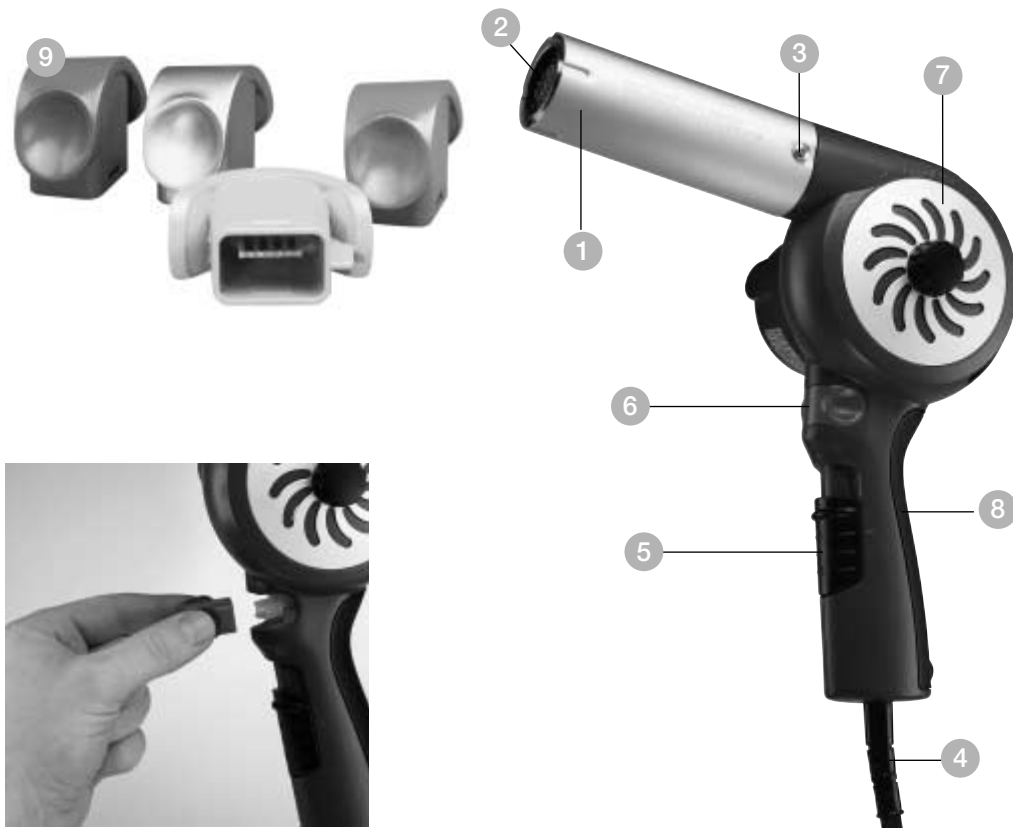


## Gracias

por haber adquirido la sopladora de aire caliente STEINEL. Esta herramienta le permitirá realizar una amplia variedad de tareas de manera segura y fiable como el secado, la reducción, la eliminación del barnizado, etc.

Todas las herramientas STEINEL son fabricadas de acuerdo a los más altos estándares y puestas a pruebas de calidad rigurosas.

Usada correctamente, esta herramienta le dejará muy satisfecho.



## Componentes del dispositivo

- |   |   |   |  |    |   |
|---|---|---|--|----|---|
| 1 | Tubo de salida de aluminio con autoenfriamiento                     | 5 | Interruptor deslizable con etapa de aire frío                                      | 9  | Llaves enchufables de colores para un rango de temperatura específico |
| 2 | Rejilla de protección para impedir el acceso de partículas extrañas | 6 | Llave enchufable   | 10 | Base con depósito de llaves enchufables                               |
| 3 | Tornillos para el cambio del elemento de calor                      | 7 | Mando giratorio para ajustar el caudal de aire y la temperatura dentro de un rango | 11 | Base con botón de detención completamente regulable                   |
| 4 | Cable de electricidad de goma robusto                               | 8 | Empuñadura blanda ergonómica   | 12 | Soporte para el reposo de la herramienta                              |

10



11



12



7



3

## Accesorios opcionales (suministrados con recargo)

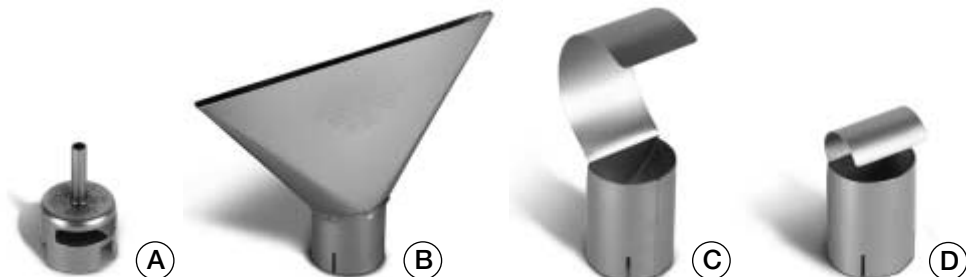
Su distribuidor tiene estas boquillas disponibles dentro de la gama de accesorios

**A** 1/4" / 7 mm – Boquilla reductora para desoldar  
Pieza nº 07695

**B** 8" / 200 mm – Dispensora para películas,  
embalaje y secado  
Pieza nº 07725

**C** Reflectora grande para el tubo retráctil a partir de  
50 mm de diámetro.  
Pieza nº 07705

**D** Reflectora pequeña para el tubo retráctil a partir  
de 20 mm de diámetro.  
Pieza nº 07715



## INSTRUCCIONES DE SEGURIDAD IMPORTANTES

### LEA ESTAS INSTRUCCIONES

**ADVERTENCIA UL:** Antes de utilizar la sopladora lea este manual. Para reducir el riesgo de incendio o descarga eléctrica, no la exponga al agua ni a la humedad. Guárdela en un lugar cerrado. Esta sopladora tiene aislamiento doble. Para realizar el mantenimiento utilice sólo piezas de repuesto idénticas. Al trabajar con aparatos eléctricos deben seguirse siempre las precauciones de seguridad básicas para reducir el riesgo de incendio, descarga eléctrica y lesiones personales. Esta sopladora trabaja a 1200° F (648° C) sin ningún indicador visual del calor (sin llama). No la deje nunca desatendida. De lo contrario existe riesgo de incendio. El flujo de aire que sale por la boquilla quema la piel. No conecte la sopladora de aire caliente nunca si tiene la mano delante de la boquilla. **NO LA UTILICE CERCA DE LÍQUIDOS COMBUSTIBLES. PARA:** ● Calentar motores de gas ● Calentar baterías ● Deshelar equipo de refrigeración.

**ADVERTENCIA:** El polvo creado por el lijado, aserrado, molado, o taladrado mecánicos y por otras actividades de la construcción contiene componentes químicos que provocan cáncer, defectos de nacimiento u otros daños sobre la reproducción (comprobado por el Estado de California). Algunos de estos componentes químicos son: ● el plomo de las pinturas con base de plomo, ● el polvo de sílice cristalino de los ladrillos, el cemento, y otros materiales para la construcción, y ● el arsénico y el cromo de la madera tratada químicamente. El riesgo por exposición varía según la frecuencia con que realice este tipo de trabajo. Para reducir la exposición a estos componentes químicos: trabaje en un lugar bien ventilado y utilice equipo de seguridad homologado, como las mascarillas antipolvo diseñadas para filtrar partículas microscópicas.

### ¡ADVERTENCIA!

Esta sopladora genera temperaturas de hasta 1200° F (648° C) de calor sin llama en la boquilla. SIEMPRE:

- Dirija el calor en dirección opuesta a usted u otras personas.
- Evite la inflamación de los materiales combustibles en o junto a la pieza de trabajo.
- Evite la obstrucción de las tomas de aire y las boquillas.
- Tenga a mano un extintor de incendios cargado.
- Antes de guardar la boquilla y las demás piezas, déjelos enfriar a temperatura ambiente.

### Precauciones

1. **ADVERTENCIA:** Algunas zonas ocultas tales como detrás de paredes, techos, pisos, tableros de fondo y otros paneles pueden contener material inflamable que podría inflamarse con el calor de la sopladora. La inflamación de dichos materiales puede no ser visible de inmediato y podría causar daños a la propiedad y lesiones personales. No utilice la sopladora si no comprende bien este riesgo. Cuando trabaje en estas zonas, mantenga la sopladora en movimiento constante hacia adelante y hacia atrás. Si va demasiado despacio o se detiene en un punto, podría incendiarse el panel o el material detrás suyo.
2. Esta sopladora puede generar hasta 1200° F (648° C) de calor sin llama en la boquilla. No dirija el flujo de aire hacia la ropa, el pelo u otras partes del cuerpo. No la utilice para secarse el pelo.
3. No la utilice cerca de líquidos inflamables ni en ambientes explosivos (vapores, gases o polvo). Retire de la zona de trabajo todo el material y suciedad que pudieran incendiarse.
4. Sujete la sopladora siempre por el plástico. La boquilla de metal necesita aprox. 20 minutos para enfriarse después de apagar la herramienta. No toque la boquilla ni el resto de accesorios hasta que estén fríos.
5. No guarde la sopladora hasta que la boquilla haya alcanzado la temperatura ambiente. Colóquela en una zona vacía lejos del material inflamable mientras se enfría.
6. No acerque la boquilla demasiado a la pieza de trabajo, ya que el flujo de aire quedaría obstruido. Mantenga las tomas de aire limpias y no las obstruya.
7. Coloque el cable en una posición que no cause tropiezo.
8. No deje la sopladora desatendida mientras esté en funcionamiento o se esté enfriando. De lo contrario existe riesgo de incendio.
9. Tenga siempre cerca un extintor de incendios cargado.
10. No dirija nunca el flujo de aire directamente hacia un cristal.
11. Proteja el material alrededor de la zona que recibe el calor para evitar que sufra daños o se queme.
12. Utilice sólo una tensión de 120 V CA.
13. No utilice la sopladora en ambientes húmedos.
14. Mantenga la sopladora alejada de los niños. No es un juguete y debe manejarse con cuidado.
15. No utilice la sopladora en un lavabo ni sobre agua.

16. Utilice gafas de seguridad al trabajar con la sopladora.
17. Es recomendable utilizar guantes de cuero al trabajar con la sopladora.
18. Desenchufe siempre la sopladora al terminar de utilizarla.
19. **ADVERTENCIA:** Proceda con extremo cuidado al decapar. Las escamas, restos y vapores de la pintura pueden contener plomo, un material nocivo. Las pinturas anteriores a 1977 pueden contener plomo, y la pintura aplicada en casas anteriores a 1950 seguramente contendrá plomo. Una vez depositado en la superficie, el contacto entre la mano y la boca puede provocar la ingestión de plomo. Incluso la exposición a niveles bajos de plomo puede causar daños irreversibles en el cerebro o el sistema nervioso; los niños pequeños y los niños nonatos son especialmente vulnerables. Antes de empezar un proceso de decapado, determine si la pintura contiene plomo. Su departamento de salud local o un profesional con un analizador de pintura pueden ayudarle a conseguir esta información. **SÓLO UN PROFESIONAL PUEDE QUITAR PINTURA CON BASE DE PLOMO Y ELLO NUNCA DEBE HACERSE CON UNA SOPLADORA DE AIRE CALIENTE.**
20. No permita el ingreso de polvo, deshechos u otro tipo de combinación en el tubo de ingreso del soplador de calor. Podrían incendiarse o causar daño a la herramienta.

Para eliminar materiales, deben seguirse las siguientes reglas.

1. Saque la pieza de trabajo al aire libre. Si esto no fuera posible, mantenga la zona de trabajo bien ventilada. Abra las ventanas e instale un extractor en una de ellas. Compruebe que el ventilador del extractor conduce el aire hacia fuera.
2. Saque de la habitación o cubra las alfombras, alfombrillas, muebles, ropa, utensilios de cocina y conductos de aire.
3. Cubra la zona de trabajo con telas protectoras suspendidas para atrapar los restos. Utilice ropa de protección como por ejemplo una segunda camiseta, monos de trabajo o gorras.
4. No trabaje en más de un lugar a la vez. Retire el mobiliario o colóquelo en el centro de la habitación y cúbralo. Aísle las zonas de trabajo del resto del edificio sellando las puertas con tela de protección suspendida.
5. No permita el acceso a la zona de trabajo a los niños, mujeres embarazadas o posiblemente embarazadas ni a las madres lactantes hasta que el trabajo y la limpieza hayan terminado.
6. Utilice una mascarilla antipolvo o una mascarilla con doble filtro (polvo y vapores) homologada por la Administración de Salud y Seguridad Ocupacional (OSHA), el Instituto Nacional de Salud y Seguridad Ocupacional (NIOSH), o la Departamento de Minas de EEUU (USBM). Estas mascarillas y los filtros de repuesto están disponibles en las principales de ferreterías. Cerciórese de que la mascarilla se ajusta firmemente. La barba y el vello facial pueden impedir que la mascarilla quede bien ajustada. Cambie los filtros con frecuencia. **LAS MASCARILLAS DE PAPEL DESECHABLES NO SON ADECUADAS.**
7. Utilice la sopladora de aire caliente con precaución. Mantenga la sopladora en movimiento constante, ya que un exceso de calor generaría vapores que podrían ser inhalados por el operario.
8. Deje la comida y la bebida fuera de la zona de trabajo. Antes de comer o beber, lávese las manos, los brazos y la cara, y enjuáguese la boca. No fume ni mastique chicle o tabaco dentro de la zona de trabajo.
9. Limpie todos los restos y el polvo del suelo con una fregona húmeda. Limpie con un paño húmedo las paredes, puertas y otras superficies que contengan suciedad o polvo. **NO BARRA NI SEQUE NI ASPIRE.** Limpie y fríegue las zonas sucias con un detergente de fosfato o fosfato trisódico.
10. Al finalizar cada sesión de trabajo, almacene todos los restos y suciedad en una bolsa de plástico doble, ciérrela con cinta adhesiva o lazos de torsión, y elimínela adecuadamente.
11. Quítese la ropa de protección y el calzado de trabajo dentro de la zona de trabajo para no llevar polvo al resto del edificio. Lave la ropa utilizada aparte. Limpie el calzado con un trapo húmedo. Lave el trapo junto con la ropa de trabajo. Lávese bien el pelo y el cuerpo con agua y jabón.

## CONSERVE ESTE MANUAL

### ATENCIÓN

Esta herramienta de calor puede emitir vapor durante los primeros minutos de funcionamiento. Esto es normal y debido a los residuos del proceso de producción. Estos residuos se queman después de los primeros minutos de funcionamiento.

## Herramientas con aislamiento doble

Las herramientas marcadas con las palabras "Double Insulated" (Aislamiento doble), llevan un cable de dos clavijas. Estas herramientas tienen un sistema especial de aislamiento de acuerdo a los estándares aplicables UL y CSA. No necesitan conexión a tierra. Las herramientas con "aislamiento doble", como ésta, tienen cables con enchufe de dos clavijas, y pueden utilizarse con cables alargadores de dos y tres clavijas.

"Esta herramienta tiene un enchufe polarizado (un terminal es más ancho que el otro). A fin de reducir el riesgo de descarga eléctrica, este enchufe encaja en una toma polarizada en una sola posición. Si el enchufe no encaja bien, cámbielo de posición. Si sigue sin encajar póngase en contacto con un técnico electricista. No modifique el enchufe en modo alguno."

## Cables alargadores

Cuanto mayor sea la distancia desde el aparato a la toma de corriente, mayor deberá ser el alargador. El uso de alargadores con cables del tamaño incorrecto puede provocar una bajada de tensión y la pérdida de potencia. Evite que el cable sufra daños. Mantenga los cables apartados de las fuentes de calor excesiva, cantos afilados y zonas húmedas o mojadas. Si está dañado el cable, repárelo o sustitúyalo antes de usarlo.

| Long. alargador  | Tamaño cable |
|------------------|--------------|
| 85 pies (25 m)   | 14           |
| 100 pies (30 m)  | 12           |
| 170 pies (51 m)  | 10           |
| 270 pies (82 m)  | 8            |
| 400 pies (122 m) | 6            |
| 650 pies (198 m) | 4            |

## Especificaciones técnicas

|  |   |
|--|---|
| Tensión                                | 120 V, 60 Hz  |
| Salida                                 | 1750 W  |
| Flujo de aire                          | a partir de 23 m³/s, ajustable con el mando giratorio |
| Temperaturas                           | Nivel 1: 80 °F  |
|  | Nivel 2: seleccionado por la llave                    |
| Temperaturas disponibles de las llaves | Rojo: 1000 – 1200 °F (537–648 °C)                     |
|  | Anaranjado: 750 – 1000 °F (398–537 °C)                |
|  | Amarillo: 500 – 750 °F (260–398 °C)                   |
|  | Gris: 300 – 500 °F (148–260 °C)                       |
|  | Azul: 200 – 300 °F (93–148 °C)                        |
| Clase de protección                    | Aislamiento doble                                     |

| Pieza n° | Modelo    | Descripción                                       | Rango de temperatura      |
|----------|-----------|---|---------------------------|
| 34750    | HB 1750   | Sopladora de aire caliente con todos los 5 llaves | 200–1200 °F (93–648 °C)   |
| 34751    | HB 1750 B | Sopladora de aire caliente con llave azul         | 200–300 °F (93–148 °C)    |
| 34752    | HB 1750 G | Sopladora de aire caliente con llave gris         | 300–500 °F (148–260 °C)   |
| 34753    | HB 1750 Y | Sopladora de aire caliente con llave amarillo     | 500–750 °F (260–398 °C)   |
| 34754    | HB 1750 O | Sopladora de aire caliente con llave anaranjado   | 750–1000 °F (398–537 °C)  |
| 34755    | HB 1750 R | Sopladora de aire caliente con llave rojo         | 1000–1200 °F (537–648 °C) |

## Para su propia seguridad

Esta herramienta de calor lleva un fusible térmico integrado que apaga la herramienta automáticamente en caso de un fuerte sobrecalentamiento.

## Para comenzar

### Funcionamiento

La herramienta puede encenderse y apagarse con el selector en la parte delantera de la herramienta. La distancia hacia el objeto a tratar depende del material de éste y el tipo de trabajo deseado. Realice siempre una prueba inicial prestando

atención al volumen de aire y a la temperatura. Con la ayuda de las boquillas opcionales (véase accesorios en la pág. 3) el aire caliente puede ser dirigido precisamente a los puntos o superficies específicos.

**¡Tenga precaución al cambiar las**

**boquillas!** Si utiliza la sopladora de calor como una herramienta estacionaria asegúrese que esté posicionada de manera segura sobre una superficie limpia para que no se resbale.

### Selección de temperatura

**Nivel 1** es el modo de aire frío. La temperatura es de aproximadamente 80 °F (27 °C) (temperatura ambiente). Utilícela para secar pintura, enfriar piezas de trabajo o enfriar la boquilla antes de cambiar un accesorio. En el **nivel 2** puede determinarse la temperatura mediante la llave utilizada

y la posición del mando giratorio. Puentes enchufables de colores para un rango de temperatura específico. En caso de no utilizarlos, puede depositarlos en la útil base. Antes de cambiar el puente desconecte la herramienta de la toma de corriente. Quite el puente a cambiar

con el dedo pulgar y el índice. Elija el puente para la temperatura deseada de la base e insértelo al aparato. Después de haber insertada la llave en el aparato, podrá encender nuevamente la herramienta.

### Mando giratorio ajustable

Selección con el mando giratorio **7** el caudal de aire y la temperatura dentro del rango de temperatura admitida del puente que está utilizando. Girando el mando hacia

LO baja la temperatura mientras que el caudal de aire aumenta. Girando el mando hacia HI sube la temperatura mientras que el caudal de aire baja. Véase las Especifica-

ciones técnicas para el rango de temperatura determinado para cada puente.

### Uso con el soporte

Presionar el botón de retención **11** con el dedo pulgar y el índice en la base de soporte e introducir la

herramienta en la guía. Luego soltar la palanca de detención. Presionando el botón de detección puede

modificar la dirección del soplado de la HB 1750 girandolo.

### Cambio del elemento de calor

El elemento de calor enchufable de HB 1750 es rápido y fácil de cambiar.

1. **¡Atención!** Desconecte la herramienta de la toma de corriente. Actúe con cautela si la

herramienta ha sido usada previamente. ¡El tubo de protección estará muy caliente, por lo que deberá dejar enfriar primero!

2. Desenrosque los dos tornillos **3** en el extremo del tubo de protección.

3. Extraiga el tubo de protección.  
4. Extraiga el elemento de calor y sustitúyalo por otro.  
5. Coloque el tubo de protección y atorníllelo fuertemente.

## Límite de la garantía

STEINEL garantiza que las herramientas de calor de la marca STEINEL están libres de defectos en materiales y la mano de obra. La garantía para las herramientas de calor de STEINEL es de un año desde la fecha de la compra del producto original.

Si el producto deja de ofrecer un servicio satisfactorio, deberá devolverlo a STEINEL para que se lleve a cabo un diagnóstico y una evaluación. La reparación o sustitución del producto será asumida por la elección y costos de STEINEL si la herramienta ha fallado debido a materiales defectos o la mano de obra.

STEINEL NO garantiza ningún producto que halla sido sujeto a un uso inadecuado o a un mal trato. Específicamente excluidas de una garantía están el empleo erróneo, la modificación, el montaje en una máquina/equipo, el abrir o la reparación por otra persona que no sea de STEINEL, de herramientas y los productos que han sido desgastados debido a un uso continuo o en el servicio de producción. STEINEL no ofrece ninguna garantía para herramientas que hayan sido reparadas de mal modo, desatendidas o sujetas a condiciones o uso no razonables.

STEINEL NO se responsabiliza de los costos secundarios o consecuentes o daños derivados del uso que realice el comprador u otros usuarios incluyendo sin limitaciones la pérdida de beneficios, las ganancias, ventanas previstas, oportunidades de negocios, buena voluntad, interrupción de negocios, fallo al enviar y cualquier otro daño o perjuicio. Algunos estados no permiten la exclusión o limitación de los daños secundarios o derivados, por lo que esta limitación o exclusión puede no ser aplicable a su caso.

Esta garantía es su único recurso y sustituye todos los derechos y recursos. Según el estado o el país en que se encuentre, es posible que tenga también otros derechos.

Por favor contacte STEINEL para obtener un seguro (RGA) antes de devolver cualquier producto con motivo de reclamación. Tenga a mano su comprobante de compra y la información completa referente a las condiciones de uso y las dificultades experimentadas.

**Los productos de consumo no están cubiertos por una garantía. Los productos de consumo son bienes que suponen gastarse o dañarse durante el uso, como productos con una vida útil, p.ej. ciertos pegamentos. Tenga en cuenta que a pesar que los elementos de calor son productos de consumo, STEINEL los incluirá en la garantía de 1 año bajo uso normal, que comprende hasta 500 horas de operación.**

### GARANTIA

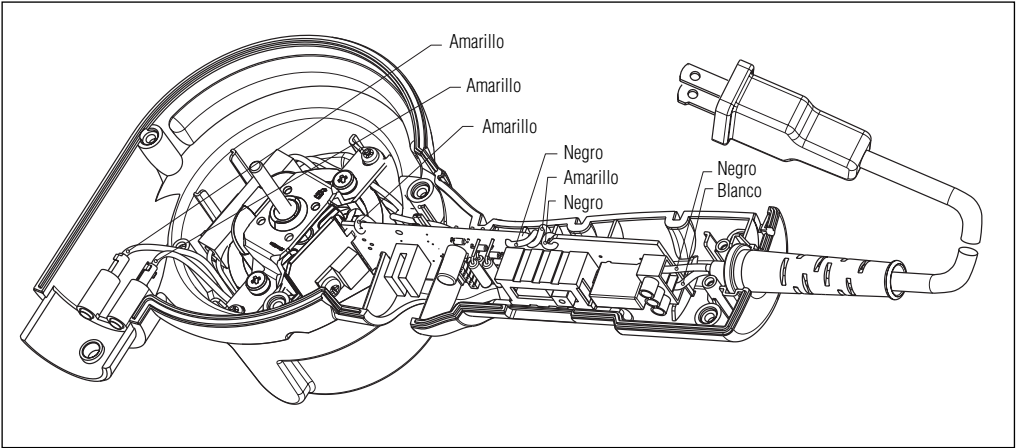
12 meses

### DE FUNCIONAMIENTO

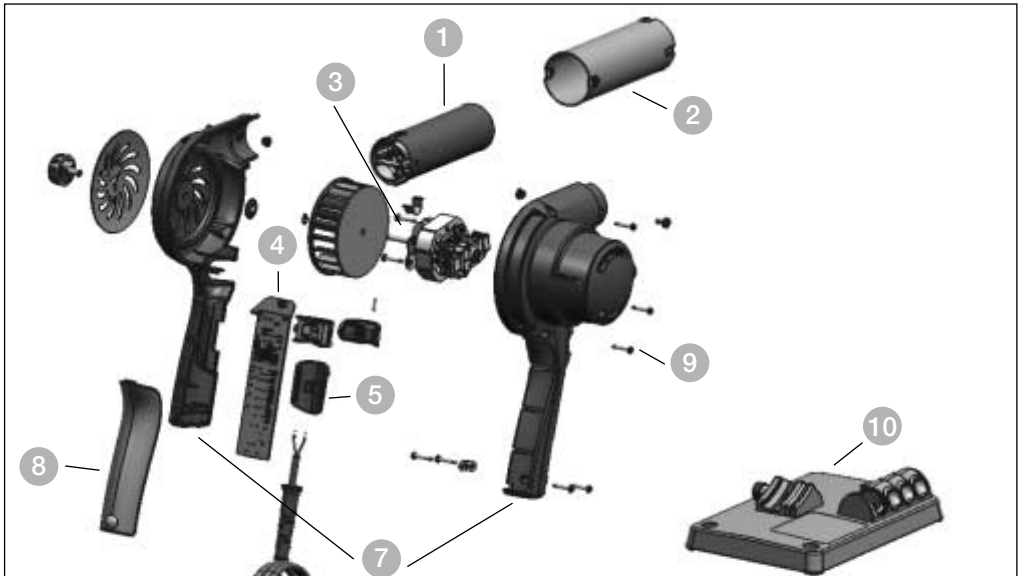
STEINEL América Inc.  
9051 Lyndale Avenue South  
Bloomington, MN 55420  
Tel.: 952-888-5950  
Fax: 952-888-5132  
Teléfono gratuito: 1-800-852-4343

Correo electrónico: [sales@steinel.net](mailto:sales@steinel.net)  
Visite nuestra página web: [www.steinel.net](http://www.steinel.net)





**Lista de repuestos HB 1750**



| HB 1750                            | Pos. | Pieza n° |
|------------------------------------|------|----------|
| elemento de calor                  | 1    | 06110    |
| tubo de protección                 | 2    | 06111    |
| unidad de motor                    | 3    | 06112    |
| circuito del motor                 | 4    | 06113    |
| conmutador                         | 5    | 06114    |
| cable                              | 6    | 06115    |
| carcasa con etiquetas              | 7    | 06116    |
| empuñadura blanda                  | 8    | 06117    |
| juego de tornillos para la carcasa | 9    | 06118    |
| base con botón de detención        | 10   | 06119    |

**STEINEL®**