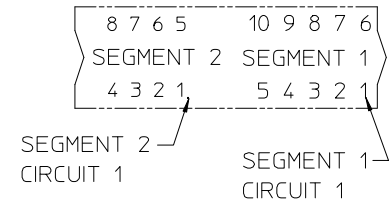
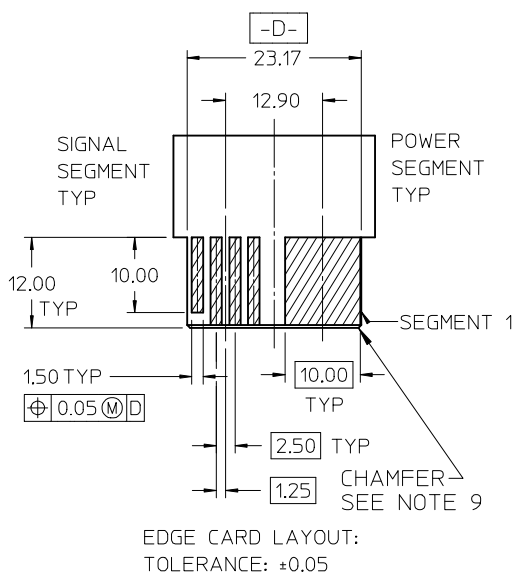
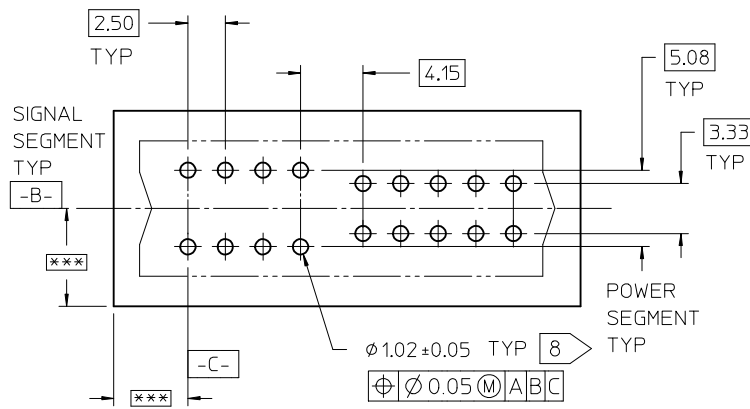
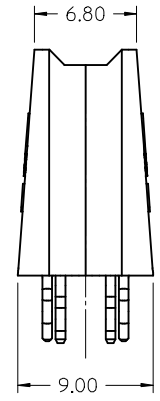
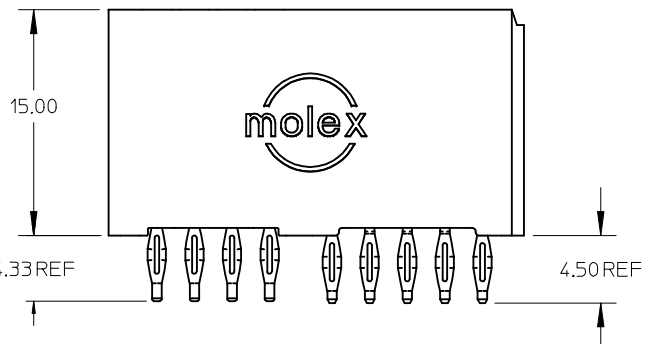


- NOTES:
1. MATERIAL: HOUSING - LCP, UL94V-0, BLACK
MATERIAL: TERMINAL - COPPER ALLOY
 2. FINISH: SELECT GOLD: 30 μ IN MIN IN CONTACT AREA
SELECT TIN: 150 μ IN MIN IN PC TAIL AREA
BOTH OVER NICKEL: 50 μ IN MIN
 3. PRODUCT SPECIFICATION: PS-45719-001.
 4. PACKAGING SPECIFICATION: PK-45714-001.
 5. PCB THICKNESS: SEE CHART
 6. EDGE CARD THICKNESS: 1.57±0.15
 7. DIMENSIONS GIVEN ACROSS CENTERLINES ARE SYMMETRICAL ABOUT THOSE CENTERLINES WITHIN HALF THE TOTAL TOLERANCE.
 8. PCB HOLE SPECIFICATION: SEE PS-45719-001
 9. 0.50 X 45° CHAMFER ON LEADING EDGE, TYP 4 SIDES
 10. PART IS RoHS COMPLIANT. SEE ES-45482-999 FOR LABEL REQUIREMENTS.



TOOLING STATUS	MATERIAL NUMBER	SEGMENT	SEGMENT
TOOLED	45912-0001	SIGNAL	POWER
TOOLED	45912-0002	POWER	SIGNAL
--	SEE 45845	SIGNAL	SIGNAL
--	SEE 45714	POWER	POWER

PCB LAYOUT: COMPONENT SIDE
*** = TO BE DETERMINED BY CUSTOMER

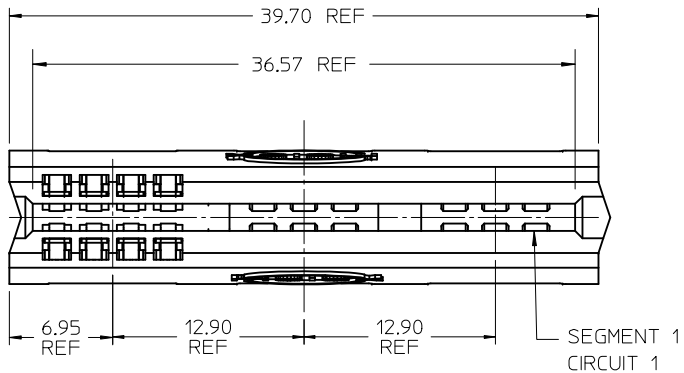
REVISE CHART, SHT 2	DESCRIPTION
EC NO: UCP2013-0692	DRWN: JSCHAFFER 2012/07/03
CHKD: APATEL	APPR: APATEL 2012/10/04
REV	

QUALITY SYMBOLS

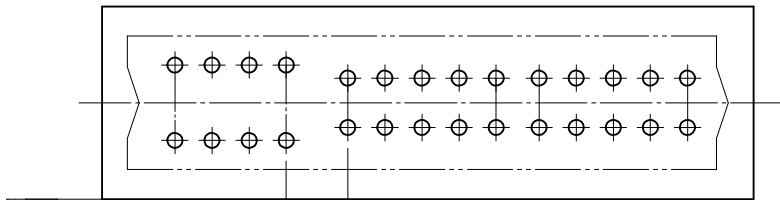
GENERAL TOLERANCES (UNLESS SPECIFIED)		
	mm	INCH
4 PLACES	± ---	± ---
3 PLACES	± ---	± ---
2 PLACES	± 0.25	± ---
1 PLACE	± 0.25	± ---
ANGULAR ±1/2°		
DRAFT WHERE APPLICABLE MUST REMAIN WITHIN DIMENSIONS		

DIMENSION STYLE	
MM ONLY	
DRAWN BY	DATE
SAMIEC	2005/04/14
CHECKED BY	DATE
SAMIEC	2005/04/14
APPROVED BY	DATE
MARGULIS	2005/04/14
MATERIAL NUMBER	SEE CHART
SIZE	A

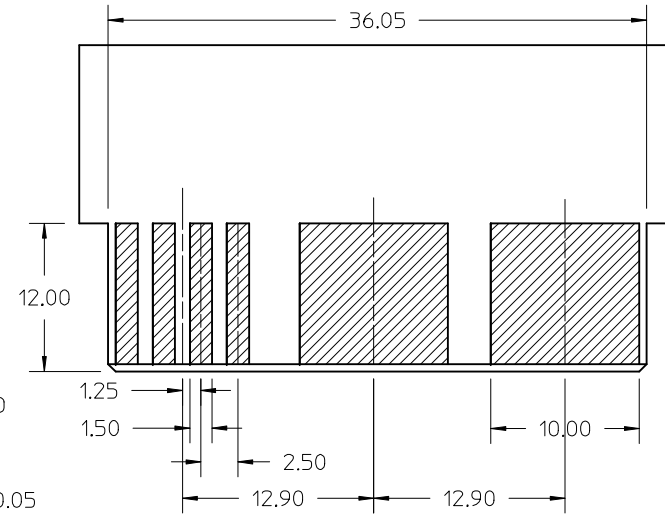
SCALE	2:1	DESIGN UNITS	METRIC	THIRD ANGLE PROJECTION
TITLE				
POWER EDGE ASSEMBLY POWER / SIGNAL MIXED VERTICAL CPI				
MOLEX INCORPORATED				
DOCUMENT NO.				SHEET NO.
SD-45912-001				1 OF 5
THIS DRAWING CONTAINS INFORMATION THAT IS PROPRIETARY TO MOLEX INCORPORATED AND SHOULD NOT BE USED WITHOUT WRITTEN PERMISSION				



SIGNAL SEGMENT				POWER SEGMENT				POWER SEGMENT					
8	7	6	5	10	9	8	7	6	10	9	8	7	6
4	3	2	1	5	4	3	2	1	5	4	3	2	1



DIM S BETWEEN SIGNAL SEG AND SIGNAL SEG: 5.40
 DIM S BETWEEN POWER SEG AND POWER SEG: 2.90
 DIM S BETWEEN SIGNAL SEG AND POWER SEG: 4.15



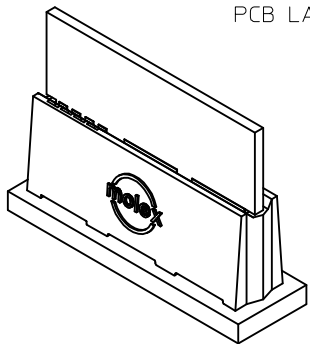
RECOMMENDED
 EDGE CARD
 LAYOUT

TOLERANCE: ±0.05

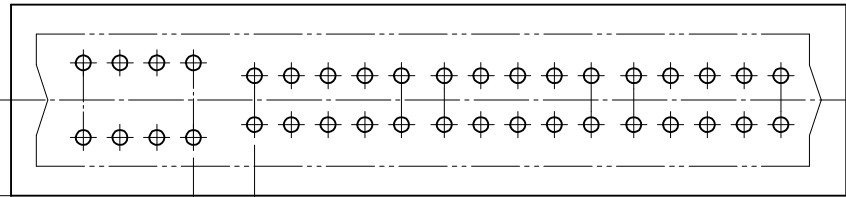
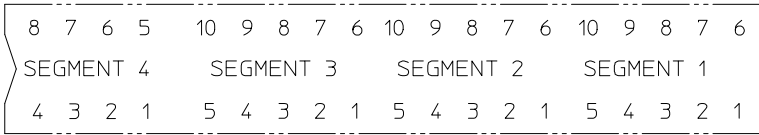
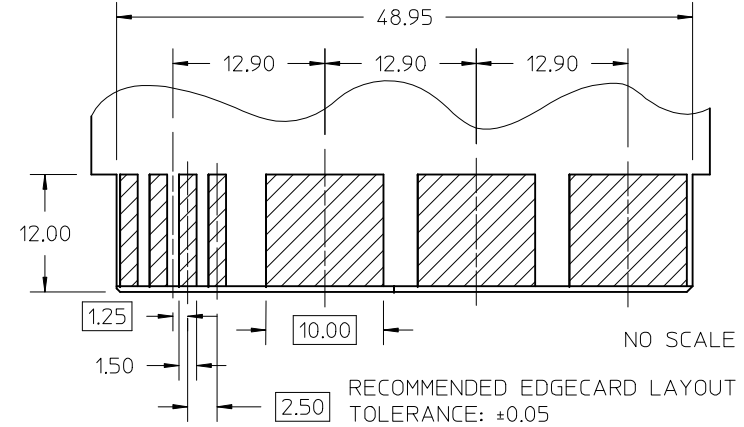
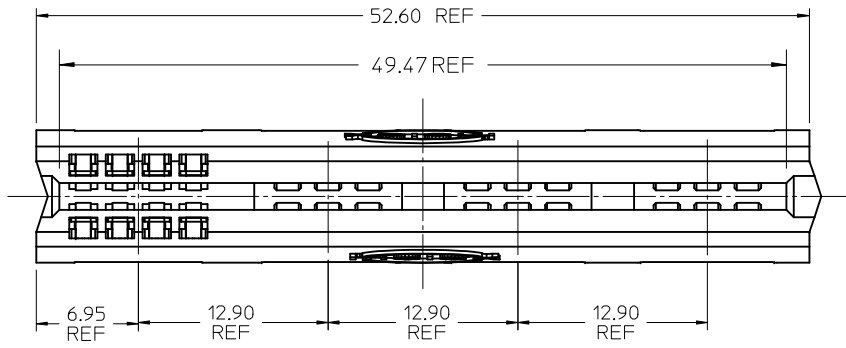
TOOLING STATUS	MATERIAL NUMBER	SEGMENT 3	SEGMENT 2	SEGMENT 1	OPTIONAL VOID LOCATION
TOOLED	45912-0007	SIGNAL	POWER	POWER	
TOOLED	45912-0008	POWER	SIGNAL	POWER	
TOOLED	45912-1108	POWER	SIGNAL	POWER	SIGNAL SEG PIN 3
TOOLED	45912-2108	VOID	SIGNAL	POWER	SIGNAL SEG PIN 3
TOOLED	45912-0009	SIGNAL	SIGNAL	POWER	
TOOLED	45912-0010	SIGNAL	POWER	SIGNAL	
TOOLED	45912-0011	POWER	SIGNAL	SIGNAL	
TOOLED	45912-0012	POWER	POWER	SIGNAL	
--	SEE 45845	SIGNAL	SIGNAL	SIGNAL	
--	SEE 45714	POWER	POWER	POWER	

MATERIAL NUMBER: 45911-0007 SHOWN
 SEE SHEET ONE FOR OTHER NOTES AND DIMENSIONS

PCB LAYOUT: COMPONENT SIDE



EC NO: UCP2013-0692 DRWN: JSCHAFFER 2012/07/03 CHKD: APPR: APATEL 2012/10/04	QUALITY SYMBOLS DESCRIPTION REV	GENERAL TOLERANCES (UNLESS SPECIFIED)		DIMENSION STYLE MM ONLY		SCALE 2:1	DESIGN UNITS METRIC	THIRD ANGLE PROJECTION	
		4 PLACES	± ---	± ---	DRAWN BY	DATE	TITLE POWER EDGE ASSEMBLY POWER / SIGNAL MIXED VERTICAL CPI		
		3 PLACES	± ---	± ---	CHECKED BY	DATE			
		2 PLACES	± 0.25	± ---	SAMIEC	2005/04/14	MOLEX INCORPORATED		
1 PLACE	± 0.25	± ---	APPROVED BY	DATE					
DRAFT WHERE APPLICABLE MUST REMAIN WITHIN DIMENSIONS		ANGULAR ±1/2°		MARGULIS 2005/04/14		MATERIAL NUMBER SEE CHART		DOCUMENT NO. SD-45912-001	
				SIZE A		SHEET NO. 2 OF 5		THIS DRAWING CONTAINS INFORMATION THAT IS PROPRIETARY TO MOLEX INCORPORATED AND SHOULD NOT BE USED WITHOUT WRITTEN PERMISSION	

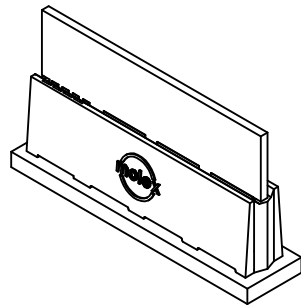


DIM S BETWEEN SIGNAL SEG AND SIGNAL SEG: 5.40
 DIM S BETWEEN POWER SEG AND POWER SEG: 2.90
 DIM S BETWEEN SIGNAL SEG AND POWER SEG: 4.15

PCB LAYOUT: COMPONENT SIDE

MATERIAL NUMBER 45912-0025 SHOWN
 SEE SHEET ONE FOR OTHER NOTES AND DIM.

TOOLING STATUS	MATERIAL NUMBER	SEGMENT 4	SEGMENT 3	SEGMENT 2	SEGMENT 1
TOOLED	45912-0025	SIGNAL	POWER	POWER	POWER
TOOLED	45912-0026	POWER	SIGNAL	POWER	POWER
TOOLED	45912-0027	SIGNAL	SIGNAL	POWER	POWER
TOOLED	45912-0028	SIGNAL	POWER	SIGNAL	POWER
TOOLED	45912-0029	POWER	SIGNAL	SIGNAL	POWER
TOOLED	45912-0030	POWER	POWER	SIGNAL	POWER
TOOLED	45912-0031	SIGNAL	SIGNAL	SIGNAL	POWER
TOOLED	45912-0032	SIGNAL	POWER	POWER	SIGNAL
TOOLED	45912-0033	POWER	SIGNAL	POWER	SIGNAL
TOOLED	45912-0034	SIGNAL	SIGNAL	POWER	SIGNAL
TOOLED	45912-0035	SIGNAL	POWER	SIGNAL	SIGNAL
TOOLED	45912-0036	POWER	SIGNAL	SIGNAL	SIGNAL
TOOLED	45912-0037	POWER	POWER	SIGNAL	SIGNAL
TOOLED	45912-0038	POWER	POWER	POWER	SIGNAL

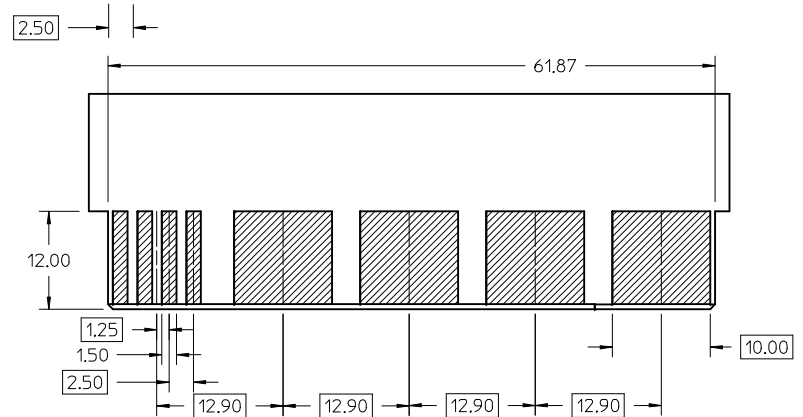
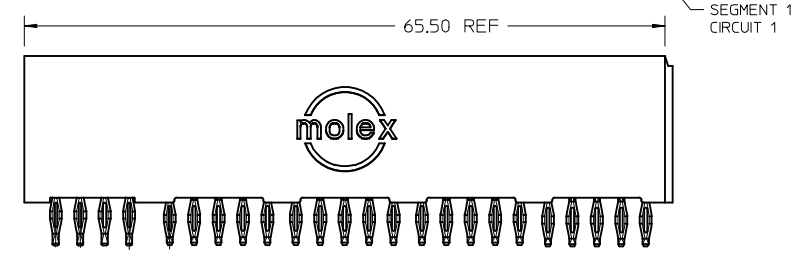
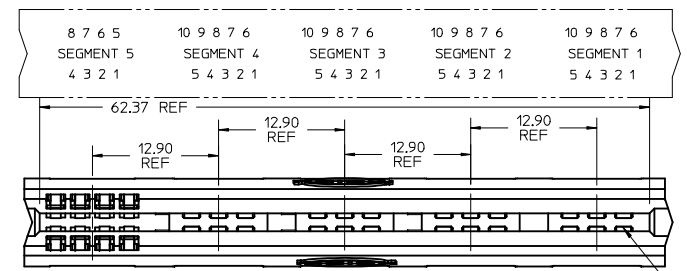


EC NO: UCP2013-0692 DRWN: JSCHAFFER 2012/07/03 CHKD: APPR: APATEL 2012/10/04	QUALITY SYMBOLS DESCRIPTION	GENERAL TOLERANCES (UNLESS SPECIFIED)		DIMENSION STYLE MM ONLY		SCALE 2:1	DESIGN UNITS METRIC	THIRD ANGLE PROJECTION		
			mm	INCH	DRAWN BY SAMIEC	DATE 2005/04/14	POWER EDGE ASSEMBLY POWER / SIGNAL MIXED VERTICAL CPI			
		4 PLACES	± ---	± ---	CHECKED BY SAMIEC	DATE 2005/04/14				
		3 PLACES	± ---	± ---	APPROVED BY MARGULIS	DATE 2005/04/14	MOLEX INCORPORATED			
2 PLACES	± 0.25	± ---	MATERIAL NUMBER SEE CHART		DOCUMENT NO. SD-45912-001	SHEET NO. 3				
1 PLACE	± 0.25	± ---	DRAFT WHERE APPLICABLE MUST REMAIN WITHIN DIMENSIONS		SIZE A	THIS DRAWING CONTAINS INFORMATION THAT IS PROPRIETARY TO MOLEX INCORPORATED AND SHOULD NOT BE USED WITHOUT WRITTEN PERMISSION				
ANGULAR ±1/2°										

	10	9	8	7	6	5	4	3	2	1
	TOOLING STATUS	MATERIAL NUMBER	SEG 5 TERMINAL	SEG 4 TERMINAL	SEG 3 TERMINAL	SEG 2 TERMINAL	SEG 1 TERMINAL			
F	NOT TOOLED	45912-0041	POWER	SIGNAL	SIGNAL	SIGNAL	SIGNAL			
	NOT TOOLED	45912-0042	SIGNAL	SIGNAL	POWER	POWER	POWER			
	NOT TOOLED	45912-0043	POWER	POWER	SIGNAL	POWER	POWER			
	NOT TOOLED	45912-0044	SIGNAL	SIGNAL	SIGNAL	POWER	POWER			
	NOT TOOLED	45912-0045	SIGNAL	SIGNAL	POWER	SIGNAL	POWER			
	NOT TOOLED	45912-0046	POWER	POWER	SIGNAL	SIGNAL	POWER			
E	NOT TOOLED	45912-0047	POWER	POWER	POWER	SIGNAL	POWER			
	NOT TOOLED	45912-0048	SIGNAL	SIGNAL	SIGNAL	SIGNAL	POWER			
	NOT TOOLED	45912-0049	SIGNAL	SIGNAL	POWER	POWER	SIGNAL			
	NOT TOOLED	45912-0050	POWER	POWER	SIGNAL	POWER	SIGNAL			
	NOT TOOLED	45912-0051	SIGNAL	SIGNAL	SIGNAL	POWER	SIGNAL			
	NOT TOOLED	45912-0052	SIGNAL	SIGNAL	POWER	SIGNAL	SIGNAL			
D	NOT TOOLED	45912-0053	POWER	POWER	SIGNAL	SIGNAL	SIGNAL			
	NOT TOOLED	45912-0054	POWER	POWER	POWER	SIGNAL	SIGNAL			
	NOT TOOLED	45912-0055	POWER	POWER	POWER	POWER	SIGNAL			
	NOT TOOLED	45912-0056	POWER	POWER	POWER	SIGNAL	POWER			
	NOT TOOLED	45912-0057	POWER	POWER	SIGNAL	POWER	POWER			
C	NOT TOOLED	45912-0058	POWER	SIGNAL	SIGNAL	SIGNAL	POWER			
	NOT TOOLED	45912-0059	POWER	SIGNAL	POWER	SIGNAL	SIGNAL			
	NOT TOOLED	45912-0060	POWER	SIGNAL	POWER	POWER	POWER			
	NOT TOOLED	45912-0061	POWER	SIGNAL	POWER	SIGNAL	POWER			
	NOT TOOLED	45912-0062	POWER	POWER	POWER	SIGNAL	POWER			
B	NOT TOOLED	45912-0063	SIGNAL	POWER	SIGNAL	POWER	SIGNAL			
	NOT TOOLED	45912-0064	SIGNAL	POWER	POWER	POWER	POWER			
	NOT TOOLED	45912-0065	SIGNAL	POWER	POWER	POWER	SIGNAL			
	NOT TOOLED	45912-0066	SIGNAL	POWER	SIGNAL	SIGNAL	SIGNAL			
	NOT TOOLED	45912-0067	SIGNAL	SIGNAL	SIGNAL	SIGNAL	POWER			
	NOT TOOLED	45912-0068	SIGNAL	POWER	POWER	SIGNAL	SIGNAL			
A	NOT TOOLED	45912-0069	POWER	SIGNAL	SIGNAL	POWER	SIGNAL			

FIVE-SEGMENT PARTS

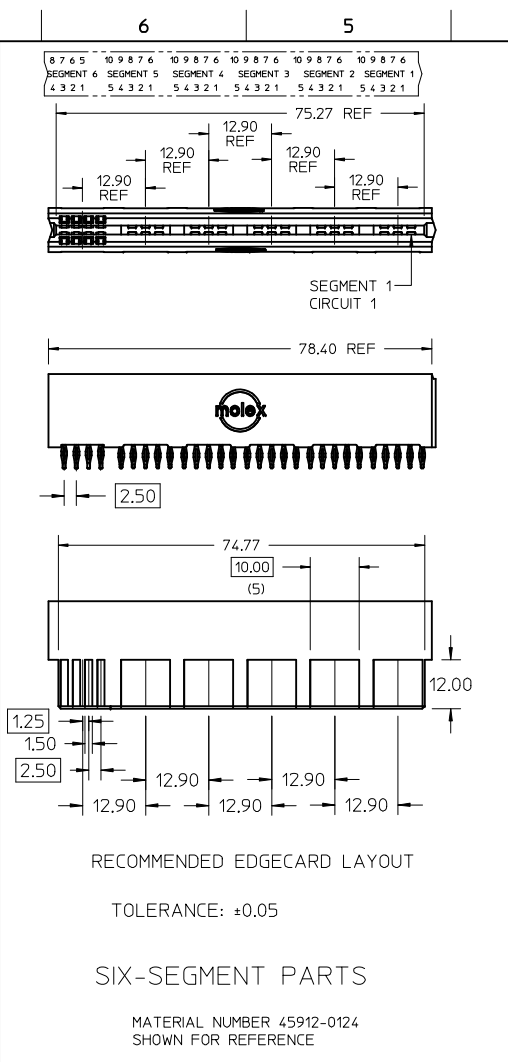
MATERIAL NUMBER 45912-0064
SHOWN FOR REFERENCE



RECOMMENDED EDGECARD LAYOUT TOLERANCE: ±0.05

ENTER DESCRIPTION EC NO: UCP2013-0692 DRWN: JSCHAFFER 2012/07/03 CHKD: APPR: APATEL 2012/10/04 REV:	QUALITY SYMBOLS ▽=0 ▽=0 ▽=0	GENERAL TOLERANCES (UNLESS SPECIFIED)		DIMENSION STYLE MM ONLY		SCALE 1.5:1	DESIGN UNITS METRIC	THIRD ANGLE PROJECTION		
		mm INCH		DRAWN BY SAMIEC	DATE 2005/04/14	POWER EDGE ASSEMBLY POWER / SIGNAL MIXED VERTICAL CPI				
		4 PLACES ± --- ± --- 3 PLACES ± --- ± --- 2 PLACES ± 0.25 ± --- 1 PLACE ± 0.25 ± ---		CHECKED BY SAMIEC	DATE 2005/04/14					
		ANGULAR ±1/2°		APPROVED BY MARGULIS		DATE 2005/04/14	MOLEX INCORPORATED		DOCUMENT NO. SD-45912-001	
DRAFT WHERE APPLICABLE MUST REMAIN WITHIN DIMENSIONS			SEE CHART		THIS DRAWING CONTAINS INFORMATION THAT IS PROPRIETARY TO MOLEX INCORPORATED AND SHOULD NOT BE USED WITHOUT WRITTEN PERMISSION					

	10	9		8		7		6		5		4		3		2		1	
	TOOLING STATUS	MATERIAL NUMBER	SEG 6 TERMINAL	SEG 5 TERMINAL	SEG 4 TERMINAL	SEG 3 TERMINAL	SEG 2 TERMINAL	SEG 1 TERMINAL				TOOLING STATUS	MATERIAL NUMBER	SEG 6 TERMINAL	SEG 5 TERMINAL	SEG 4 TERMINAL	SEG 3 TERMINAL	SEG 2 TERMINAL	SEG 1 TERMINAL
F	NOT TOOLED	45912-0070	POWER	SIGNAL	SIGNAL	SIGNAL	SIGNAL	SIGNAL				NOT TOOLED	45912-0098	POWER	POWER	SIGNAL	SIGNAL	SIGNAL	POWER
	NOT TOOLED	45912-0071	SIGNAL	POWER	SIGNAL	SIGNAL	SIGNAL	SIGNAL				NOT TOOLED	45912-0099	SIGNAL	POWER	POWER	SIGNAL	POWER	SIGNAL
	NOT TOOLED	45912-0072	SIGNAL	SIGNAL	POWER	SIGNAL	SIGNAL	SIGNAL				NOT TOOLED	45912-0100	SIGNAL	POWER	POWER	SIGNAL	SIGNAL	POWER
	NOT TOOLED	45912-0073	SIGNAL	SIGNAL	SIGNAL	POWER	SIGNAL	SIGNAL				NOT TOOLED	45912-0101	SIGNAL	SIGNAL	POWER	POWER	SIGNAL	POWER
	NOT TOOLED	45912-0074	SIGNAL	SIGNAL	SIGNAL	SIGNAL	POWER	SIGNAL				NOT TOOLED	45912-0102	POWER	SIGNAL	POWER	POWER	SIGNAL	SIGNAL
	NOT TOOLED	45912-0075	SIGNAL	SIGNAL	SIGNAL	SIGNAL	SIGNAL	SIGNAL				NOT TOOLED	45912-0103	POWER	SIGNAL	SIGNAL	POWER	POWER	SIGNAL
	NOT TOOLED	45912-0076	POWER	POWER	SIGNAL	SIGNAL	SIGNAL	SIGNAL				NOT TOOLED	45912-0104	SIGNAL	POWER	SIGNAL	POWER	POWER	SIGNAL
E	NOT TOOLED	45912-0077	POWER	SIGNAL	POWER	SIGNAL	SIGNAL	SIGNAL				NOT TOOLED	45912-0105	POWER	SIGNAL	SIGNAL	SIGNAL	POWER	POWER
	NOT TOOLED	45912-0078	POWER	SIGNAL	SIGNAL	POWER	SIGNAL	SIGNAL				NOT TOOLED	45912-0106	SIGNAL	POWER	SIGNAL	SIGNAL	POWER	POWER
	NOT TOOLED	45912-0079	POWER	SIGNAL	SIGNAL	SIGNAL	POWER	SIGNAL				NOT TOOLED	45912-0107	SIGNAL	SIGNAL	POWER	SIGNAL	POWER	POWER
	NOT TOOLED	45912-0080	POWER	SIGNAL	SIGNAL	SIGNAL	SIGNAL	POWER				NOT TOOLED	45912-0108	POWER	POWER	POWER	POWER	SIGNAL	SIGNAL
	NOT TOOLED	45912-0081	SIGNAL	POWER	POWER	SIGNAL	SIGNAL	SIGNAL				NOT TOOLED	45912-0109	SIGNAL	POWER	POWER	POWER	POWER	SIGNAL
	NOT TOOLED	45912-0082	SIGNAL	POWER	SIGNAL	POWER	SIGNAL	SIGNAL				NOT TOOLED	45912-0110	SIGNAL	SIGNAL	SIGNAL	POWER	POWER	POWER
D	NOT TOOLED	45912-0083	SIGNAL	POWER	SIGNAL	SIGNAL	POWER	SIGNAL				NOT TOOLED	45912-0111	POWER	POWER	POWER	SIGNAL	POWER	SIGNAL
	NOT TOOLED	45912-0084	SIGNAL	POWER	SIGNAL	SIGNAL	SIGNAL	POWER				NOT TOOLED	45912-0112	POWER	POWER	POWER	SIGNAL	SIGNAL	POWER
	NOT TOOLED	45912-0085	SIGNAL	SIGNAL	POWER	POWER	SIGNAL	SIGNAL				NOT TOOLED	45912-0113	POWER	POWER	POWER	POWER	SIGNAL	POWER
	NOT TOOLED	45912-0086	SIGNAL	SIGNAL	POWER	SIGNAL	POWER	SIGNAL				NOT TOOLED	45912-0114	POWER	POWER	SIGNAL	POWER	SIGNAL	POWER
	NOT TOOLED	45912-0087	SIGNAL	SIGNAL	POWER	SIGNAL	SIGNAL	POWER				NOT TOOLED	45912-0115	POWER	POWER	SIGNAL	SIGNAL	POWER	POWER
	NOT TOOLED	45912-0088	SIGNAL	POWER	POWER	SIGNAL	SIGNAL	SIGNAL				NOT TOOLED	45912-0116	POWER	SIGNAL	POWER	POWER	POWER	SIGNAL
	NOT TOOLED	45912-0089	SIGNAL	SIGNAL	SIGNAL	POWER	POWER	SIGNAL				NOT TOOLED	45912-0117	POWER	SIGNAL	SIGNAL	POWER	POWER	POWER
C	NOT TOOLED	45912-0090	SIGNAL	SIGNAL	SIGNAL	SIGNAL	POWER	POWER				NOT TOOLED	45912-0118	POWER	SIGNAL	POWER	POWER	SIGNAL	POWER
	NOT TOOLED	45912-0091	SIGNAL	SIGNAL	SIGNAL	POWER	SIGNAL	POWER				NOT TOOLED	45912-0119	POWER	POWER	SIGNAL	POWER	POWER	SIGNAL
	NOT TOOLED	45912-0092	POWER	POWER	POWER	SIGNAL	SIGNAL	SIGNAL				NOT TOOLED	45912-0120	POWER	SIGNAL	SIGNAL	POWER	POWER	POWER
	NOT TOOLED	45912-0093	SIGNAL	POWER	POWER	POWER	SIGNAL	SIGNAL				NOT TOOLED	45912-0121	POWER	POWER	POWER	SIGNAL	POWER	POWER
	NOT TOOLED	45912-0094	SIGNAL	SIGNAL	POWER	POWER	POWER	SIGNAL				NOT TOOLED	45912-0122	POWER	POWER	POWER	POWER	SIGNAL	POWER
	NOT TOOLED	45912-0095	SIGNAL	SIGNAL	SIGNAL	POWER	POWER	POWER				NOT TOOLED	45912-0123	POWER	POWER	POWER	POWER	POWER	SIGNAL
B	NOT TOOLED	45912-0096	POWER	POWER	SIGNAL	POWER	SIGNAL	SIGNAL				NOT TOOLED	45912-0124	SIGNAL	POWER	POWER	POWER	POWER	POWER
	NOT TOOLED	45912-0097	POWER	POWER	SIGNAL	SIGNAL	POWER	SIGNAL											



	10	9		8		7		6		5		4		3		2		1	
	TOOLING STATUS	MATERIAL NUMBER	SEG 6 TERMINAL	SEG 5 TERMINAL	SEG 4 TERMINAL	SEG 3 TERMINAL	SEG 2 TERMINAL	SEG 1 TERMINAL				TOOLING STATUS	MATERIAL NUMBER	SEG 6 TERMINAL	SEG 5 TERMINAL	SEG 4 TERMINAL	SEG 3 TERMINAL	SEG 2 TERMINAL	SEG 1 TERMINAL
F	NOT TOOLED	45912-0098	POWER	POWER	SIGNAL	SIGNAL	SIGNAL	POWER				NOT TOOLED	45912-0098	POWER	POWER	SIGNAL	SIGNAL	SIGNAL	POWER
	NOT TOOLED	45912-0099	SIGNAL	POWER	POWER	SIGNAL	POWER	SIGNAL				NOT TOOLED	45912-0099	SIGNAL	POWER	POWER	SIGNAL	POWER	SIGNAL
	NOT TOOLED	45912-0100	SIGNAL	POWER	POWER	SIGNAL	SIGNAL	POWER				NOT TOOLED	45912-0100	SIGNAL	POWER	POWER	SIGNAL	SIGNAL	POWER
	NOT TOOLED	45912-0101	SIGNAL	SIGNAL	POWER	POWER	SIGNAL	POWER				NOT TOOLED	45912-0101	SIGNAL	SIGNAL	POWER	POWER	SIGNAL	POWER
	NOT TOOLED	45912-0102	POWER	SIGNAL	POWER	POWER	POWER	SIGNAL				NOT TOOLED	45912-0102	POWER	SIGNAL	POWER	POWER	SIGNAL	SIGNAL
	NOT TOOLED	45912-0103	POWER	SIGNAL	SIGNAL	POWER	POWER	SIGNAL				NOT TOOLED	45912-0103	POWER	SIGNAL	SIGNAL	POWER	POWER	SIGNAL
	NOT TOOLED	45912-0104	SIGNAL	POWER	SIGNAL	POWER	POWER	SIGNAL				NOT TOOLED	45912-0104	SIGNAL	POWER	SIGNAL	POWER	POWER	SIGNAL
	NOT TOOLED	45912-0105	POWER	SIGNAL	SIGNAL	SIGNAL	SIGNAL	POWER				NOT TOOLED	45912-0105	POWER	SIGNAL	SIGNAL	SIGNAL	POWER	POWER
E	NOT TOOLED	45912-0106	SIGNAL	POWER	SIGNAL	SIGNAL	POWER	POWER				NOT TOOLED	45912-0106	SIGNAL	POWER	SIGNAL	SIGNAL	POWER	POWER
	NOT TOOLED	45912-0107	SIGNAL	SIGNAL	POWER	SIGNAL	POWER	POWER				NOT TOOLED	45912-0107	SIGNAL	SIGNAL	POWER	SIGNAL	POWER	POWER
	NOT TOOLED	45912-0108	POWER	POWER	POWER	POWER	POWER	SIGNAL				NOT TOOLED	45912-0108	POWER	POWER	POWER	POWER	SIGNAL	SIGNAL
	NOT TOOLED	45912-0109	SIGNAL	POWER	POWER	POWER	POWER	POWER				NOT TOOLED	45912-0109	SIGNAL	POWER	POWER	POWER	POWER	SIGNAL
	NOT TOOLED	45912-0110	SIGNAL	SIGNAL	SIGNAL	POWER	POWER	POWER				NOT TOOLED	45912-0110	SIGNAL	SIGNAL	SIGNAL	POWER	POWER	POWER
D	NOT TOOLED	45912-0111	POWER	POWER	POWER	SIGNAL	POWER	SIGNAL				NOT TOOLED	45912-0111	POWER	POWER	POWER	SIGNAL	POWER	SIGNAL
	NOT TOOLED	45912-0112	POWER	POWER	POWER	SIGNAL	SIGNAL	POWER				NOT TOOLED	45912-0112	POWER	POWER	POWER	SIGNAL	SIGNAL	POWER
	NOT TOOLED	45912-0113	POWER	POWER	POWER	POWER	POWER	SIGNAL				NOT TOOLED	45912-0113	POWER	POWER	POWER	POWER	SIGNAL	POWER
	NOT TOOLED	45912-0114	POWER	POWER	SIGNAL	POWER	SIGNAL	POWER				NOT TOOLED	45912-0114	POWER	POWER	SIGNAL	POWER	SIGNAL	POWER
	NOT TOOLED	45912-0115	POWER	POWER	SIGNAL	SIGNAL	POWER	POWER				NOT TOOLED	45912-0115	POWER	POWER	SIGNAL	SIGNAL	POWER	POWER
	NOT TOOLED	45912-0116	POWER	SIGNAL	POWER	POWER	POWER	POWER				NOT TOOLED	45912-0116	POWER	SIGNAL	POWER	POWER	POWER	SIGNAL
	NOT TOOLED	45912-0117	POWER	SIGNAL	SIGNAL	POWER	POWER	POWER				NOT TOOLED	45912-0117	POWER	SIGNAL	SIGNAL	POWER	POWER	POWER
C	NOT TOOLED	45912-0118	POWER	SIGNAL	POWER	POWER	POWER	SIGNAL				NOT TOOLED	45912-0118	POWER	SIGNAL	POWER	POWER	SIGNAL	POWER
	NOT TOOLED	45912-0119	POWER	POWER	SIGNAL	POWER	POWER	SIGNAL				NOT TOOLED	45912-0119	POWER	POWER	SIGNAL	POWER	POWER	SIGNAL
	NOT TOOLED	45912-0120	POWER	SIGNAL	SIGNAL	POWER	POWER	POWER				NOT TOOLED	45912-0120	POWER	SIGNAL	SIGNAL	POWER	POWER	POWER
	NOT TOOLED	45912-0121	POWER	POWER	POWER	SIGNAL	POWER	POWER				NOT TOOLED	45912-0121	POWER	POWER	POWER	SIGNAL	POWER	POWER
	NOT TOOLED	45912-0122	POWER	POWER	POWER	POWER	POWER	SIGNAL				NOT TOOLED	45912-0122	POWER	POWER	POWER	POWER	SIGNAL	POWER
	NOT TOOLED	45912-0123	POWER	POWER	POWER	POWER	POWER	SIGNAL				NOT TOOLED	45912-0123	POWER	POWER	POWER	POWER	POWER	SIGNAL
B	NOT TOOLED	45912-0124	SIGNAL	POWER	POWER	POWER	POWER	POWER				NOT TOOLED	45912-0124	SIGNAL	POWER	POWER	POWER	POWER	POWER

SEE SHT 1 EC NO: UCP2013-0692 DRAWN: JSCHAFER 2012/07/03 CHKD: CHKD: 2012/10/04 APPR: APATEL	QUALITY SYMBOLS	GENERAL TOLERANCES (UNLESS SPECIFIED)		DIMENSION STYLE		SCALE	DESIGN UNITS	THIRD ANGLE PROJECTION	
	$F/0$	mm	INCH	MM ONLY		1.5:1	METRIC		
	$F/0$	4 PLACES ± --- ± ---	3 PLACES ± --- ± ---	DRAWN BY	DATE	TITLE			
	$F/0$	2 PLACES ± 0.25 ± ---	1 PLACE ± 0.25 ± ---	CHECKED BY	DATE	POWER EDGE ASSEMBLY POWER / SIGNAL MIXED VERTICAL CPI			
	ANGULAR ± 1/2°	DRAFT WHERE APPLICABLE MUST REMAIN WITHIN DIMENSIONS		APPROVED BY	DATE	MOLEX INCORPORATED			
		SEE CHART		MATERIAL NO.	DOCUMENT NO.	SD-45912-001		SHEET NO. 5 OF 5	
		THIS DRAWING CONTAINS INFORMATION THAT IS PROPRIETARY TO MOLEX INCORPORATED AND SHOULD NOT BE USED WITHOUT WRITTEN PERMISSION							