

10 9 8 7 6 5 4 3 2 1

F

E

D

C

B

A

F

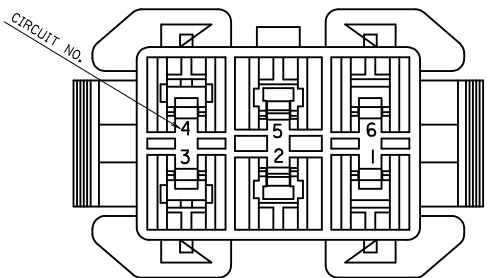
E

D

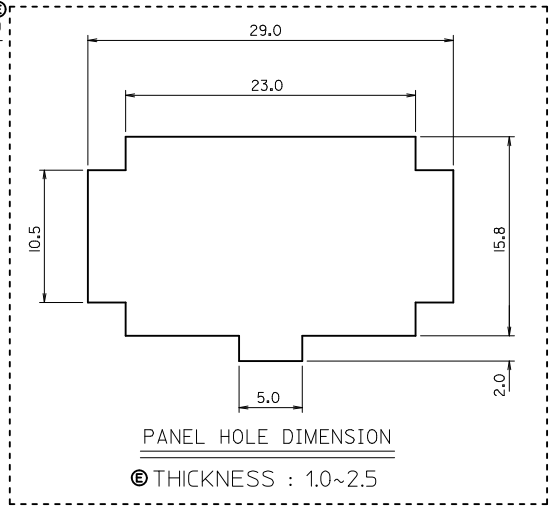
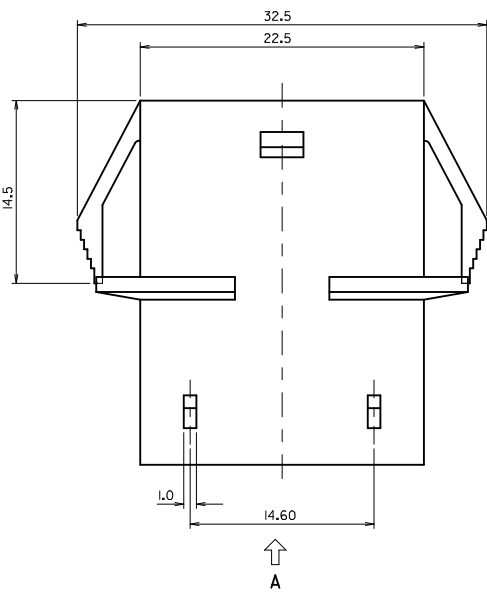
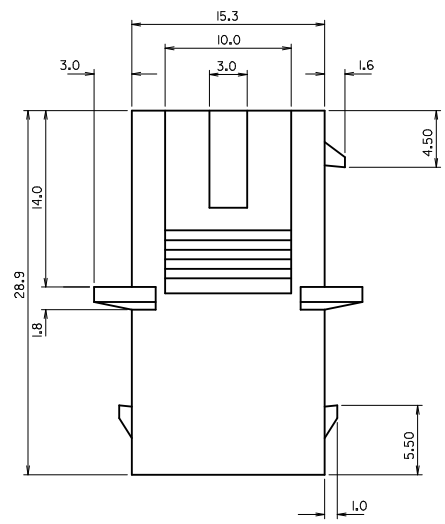
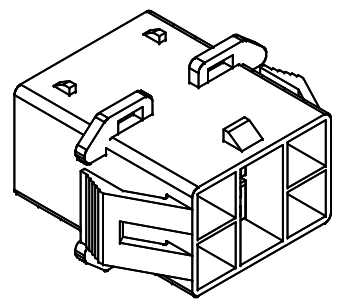
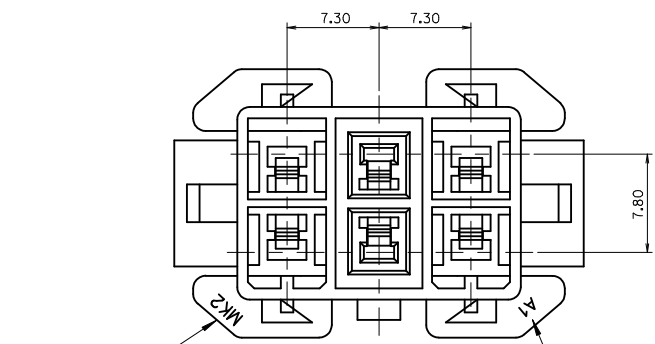
C

B

A



VIEW "A"



- NOTES.
1. MATERIAL & COLOR : SEE TABLE
 2. MATED HOUSING : 35151-061*/*619
 3. APPLICABLE TERMINAL : 35745-**** (3,4 CKT)
35746-**** (2,5 CKT)
35747-**** (1,6 CKT)
 4. APPLICABLE T.P.A : 35150-039*
 5. PRODUCT SPECIFICATION : PS-35150-003

NO	PRODUCT		MATERIAL	
	PART NO	COLOR	DESCRIPTION	
1	35150-0610	NATURAL	POLYESTER (PBT) (UL94V-0)	
2	35150-0612	RED		
3	35150-0614	BLUE		
4	35150-0619	NATURAL	PC/PET (UL94V-0)	
5	35150-2619	RED		
6	35150-3619	YELLOW		
7	35150-4619	BLUE		

REVISED	EC NO: KOR2010-0092	2010/01/14	
	DRWN: JHPARK01	2010/01/14	
	CHKD: WY. YANG	2010/01/14	
	APPR: YUNSIKKIM	2010/01/14	
	DESCRIPTION		
	QUALITY SYMBOLS	▽=0	∇=0

GENERAL TOLERANCES (UNLESS SPECIFIED)	
mm	INCH
4 PLACES	± --- ± ---
3 PLACES	± --- ± ---
2 PLACES	± 0.3 ± ---
1 PLACE	± 0.3 ± ---
ANGULAR ± 3 °	
DRAFT WHERE APPLICABLE MUST REMAIN WITHIN DIMENSIONS	

DIMENSION STYLE		SCALE	DESIGN UNITS
MM ONLY		1:1	METRIC
DRAWN BY	DATE	TITLE	
WY. YANG	1992/09/14	7.3 PITCH W/W MALE HOUSING-6P	
CHECKED BY	DATE		
BK. CHOI	1992/09/14		
APPROVED BY	DATE		
MATERIAL NO.		DOCUMENT NO.	SHEET NO.
SEE TABLE		SD-35150-061*	1 OF 01
SIZE	THIS DRAWING CONTAINS INFORMATION THAT IS PROPRIETARY TO MOLEX INCORPORATED AND SHOULD NOT BE USED WITHOUT WRITTEN PERMISSION		
A3			

THIRD ANGLE PROJECTION	
MOLEX INCORPORATED	
SD-35150-061*	
1 OF 01	

9 8 7 6 5 4 3 2 1