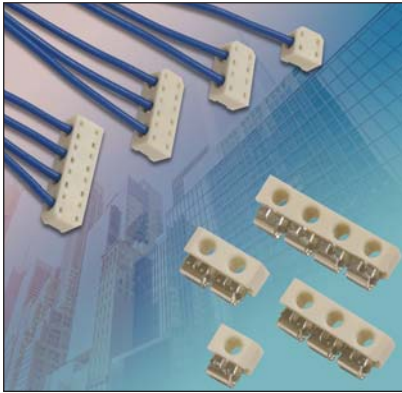


Low Profile IDC 22-26AWG

9176-800



AVX industrial/transportation grade insulation displacement connectors (IDC) have been proven in the market for over ten years. Providing a very simple one-step termination process, these connectors proved a robust wire-to-board (WTB) termination in harsh applications.

The 9176-800 series has been developed specifically for 22-26AWG discrete wires in size critical applications. By reducing the “Z” axis height by 1.0mm and the overall volume by up to 50%, this new package size is an ideal choice in space constrained applications over previous IDC connectors. In addition, an expanded size range is available starting from a 1 position up to 4 positions in each wire gauge. The entire range provides new packaging solutions in industrial, medical and transportation applications such as smart metering, LED lighting, industrial controls and portable monitoring and measurement devices.

APPLICATIONS

- Connecting discrete wires and components to a PCB
- Bringing power and signals onto a PCB
- Daisy chaining or interconnecting PCB's together
- Application Notes: Refer to 201-01-216

FEATURES AND BENEFITS

- Redundant and fatigue resistant phosphor bronze material provides a gas tight, cold welded connection to the wire
- IDC connectors can be potted or over molded to encapsulate electronic modules and provide environmental protection
- The 1p version is available in industry standard colors to match individual wires for error free wire termination

ELECTRICAL

- Current Rating: 22AWG: 6 amps
24AWG: 5 amps
26AWG: 4 amps
- Voltage Rating: 1p: 600V
2p-4p: 300V

ENVIRONMENTAL

- Operating Temperature:
-40°C to +125°C

MECHANICAL

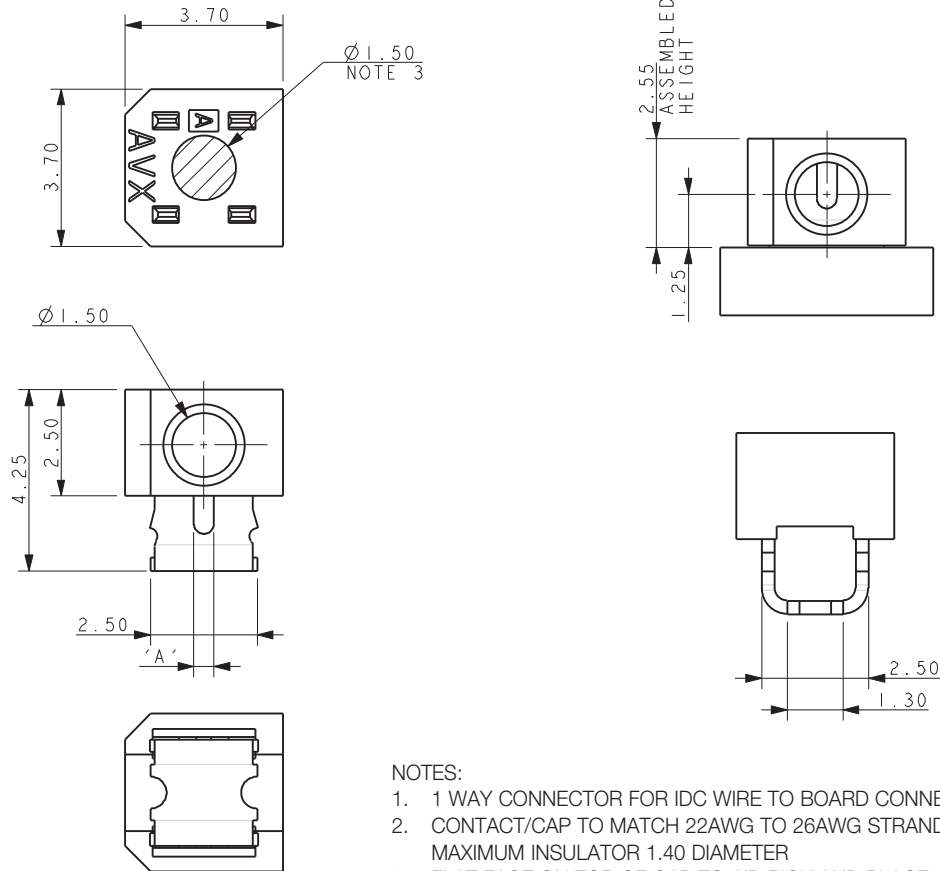
- Insulator Material: Glass-Filled Nylon 46; UL94V0
- Contact Material: Phosphor Bronze
- Plating: Lead-Free Tin Over Nickel
- Durability: 3 Cycles

HOW TO ORDER

00	9176	00X	8X3	X	06
Prefix	Series	Number of Ways	Wire Gauge Size	Insulator Color	Plating Option
Wire to Board Connector		001 = 1 002 = 2 003 = 3 004 = 4	853 = 22 AWG Solid and Stranded 863 = 24 AWG Solid and Stranded 873 = 26 AWG Solid and Stranded	9 = White Standard Solid Colors (1p only) 2 = Brown 3 = Blue 4 = Yellow 5 = Red 6 = Green 7 = Orange 8 = Black	06 = Pure Tin All Over Nickel

00-9176-001-8X3-X06

1 WAY

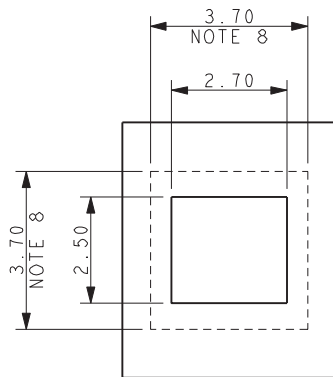


NOTES:

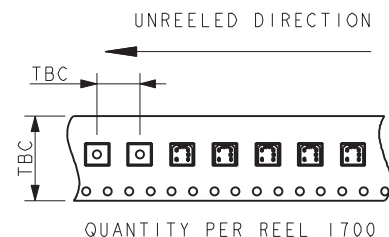
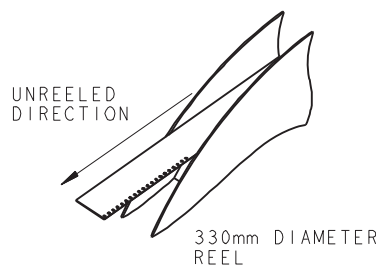
1. 1 WAY CONNECTOR FOR IDC WIRE TO BOARD CONNECTOR.
2. CONTACT/CAP TO MATCH 22AWG TO 26AWG STRANDED AND SOLID WIRE, MAXIMUM INSULATOR 1.40 DIAMETER
3. FLAT FACE ON TOP OF CAP TO AID PICK AND PLACE ASSEMBLY.
4. FOR FULL PRODUCT SPECIFICATION REFER TO AVX SPEC 201-01-215.
5. ASSEMBLY PROCEDURE, REFER TO APPLICATION NOTES 201-01-216.
6. GENERAL TOLERANCE ± 0.20 UNLESS STATED.
7. PACKED IN TAPE AND REEL, QUANTITY PER REEL 1700.
8. CONNECTOR OUTLINE.
9. CONTACT MATERIAL: TIN PLATED COPPER ALLOY.
10. INSULATOR MATERIAL: HIGH TEMPERATURE NYLON, GLASS FILLED. UL94 V-0, COLOR REFER TO PAGE 1.

PART NUMBER See page 1	WIRE GAUGE	A
00-9176-001-853-X06	22AWG Solid and Stranded	0.47
00-9176-001-863-X06	24AWG Solid and Stranded	0.37
00-9176-001-873-X06	26AWG Solid and Stranded	0.28

SUGGESTED PCB LAYOUT

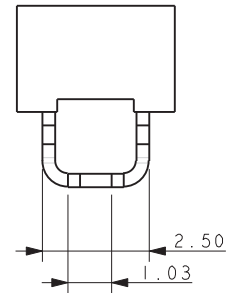
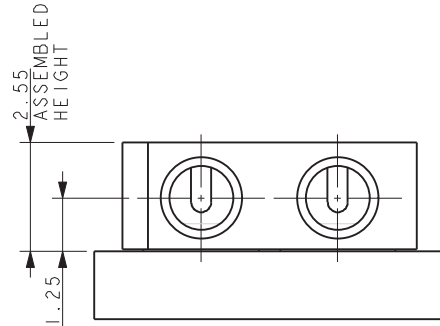
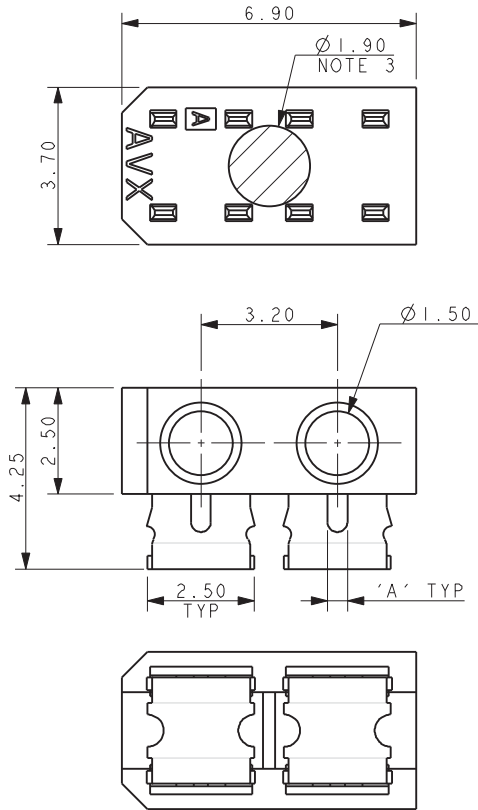


PACKING DETAILS



00-9176-001-8X3-X06

2 WAY

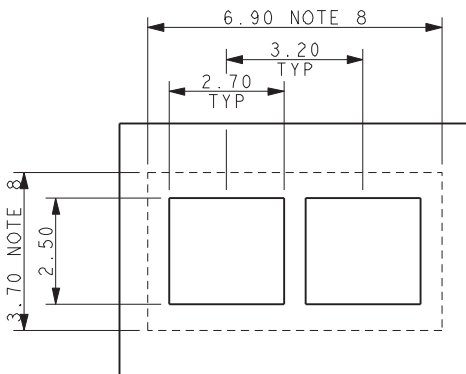


NOTES:

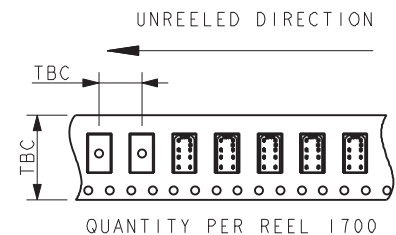
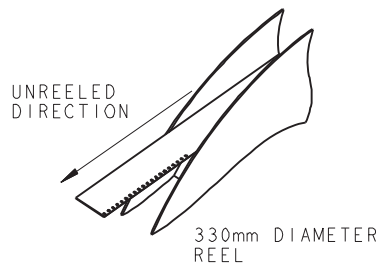
1. 2 WAY CONNECTOR FOR IDC WIRE TO BOARD CONNECTOR.
2. CONTACT/CAP TO MATCH 22AWG TO 26AWG STRANDED AND SOLID WIRE, MAXIMUM INSULATOR 1.40 DIAMETER
3. FLAT FACE ON TOP OF CAP TO AID PICK AND PLACE ASSEMBLY.
4. FOR FULL PRODUCT SPECIFICATION REFER TO AVX SPEC 201-01-215.
5. ASSEMBLY PROCEDURE, REFER TO APPLICATION NOTES 201-01-216.
6. GENERAL TOLERANCE ± 0.20 UNLESS STATED.
7. PACKED IN TAPE AND REEL, QUANTITY PER REEL 1700.
8. CONNECTOR OUTLINE.
9. CONTACT MATERIAL: TIN PLATED COPPER ALLOY.
10. INSULATOR MATERIAL: HIGH TEMPERATURE NYLON, GLASS FILLED. UL94 V-0, COLOR REFER TO PAGE 1.

PART NUMBER See page 1	WIRE GAUGE	A
00-9176-002-853-X06	22AWG Solid and Stranded	0.47
00-9176-002-863-X06	24AWG Solid and Stranded	0.37
00-9176-002-873-X06	26AWG Solid and Stranded	0.28

SUGGESTED PCB LAYOUT



PACKING DETAILS

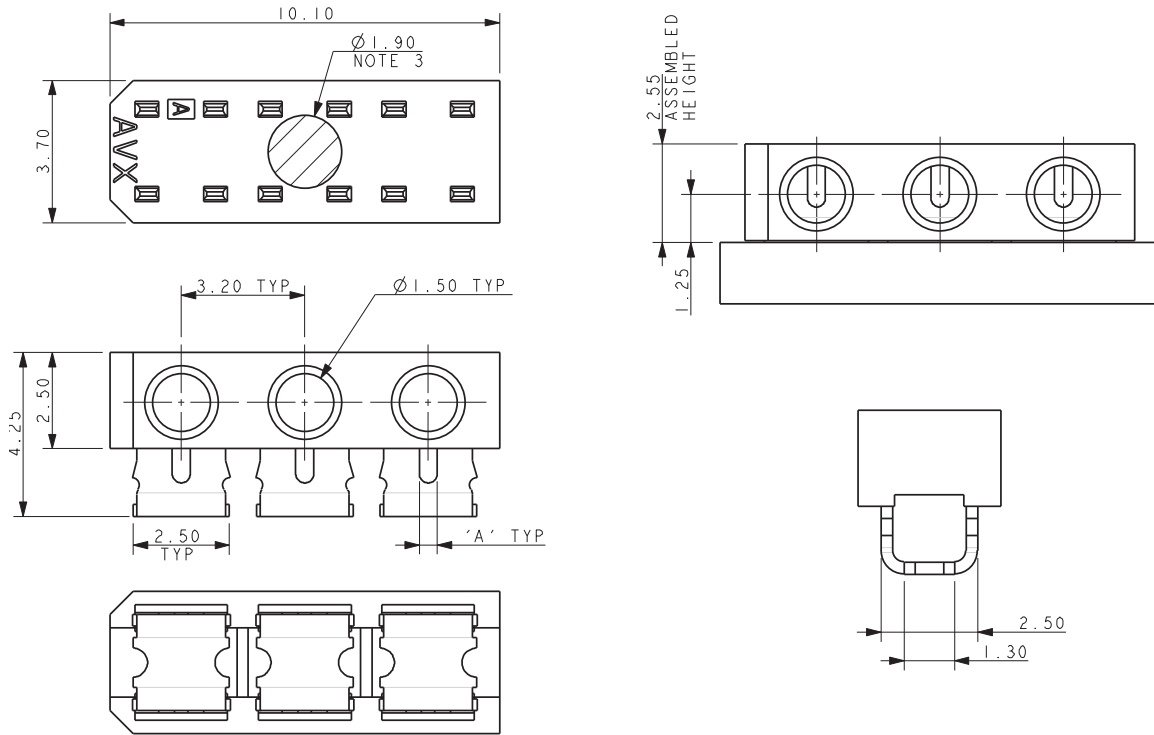


Low Profile IDC 22-26AWG

9176-800

00-9176-001-8X3-X06

3 WAY

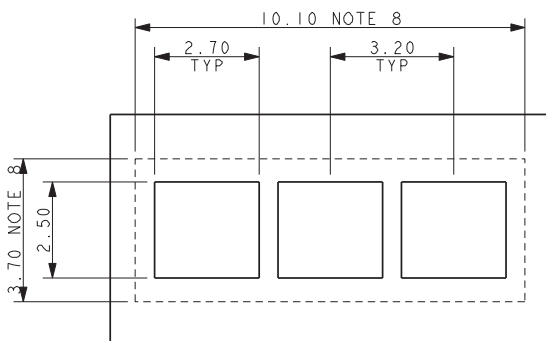


PART NUMBER See page 1	WIRE GAUGE	A
00-9176-003-853-X06	22AWG Solid and Stranded	0.47
00-9176-003-863-X06	24AWG Solid and Stranded	0.37
00-9176-003-873-X06	26AWG Solid and Stranded	0.28

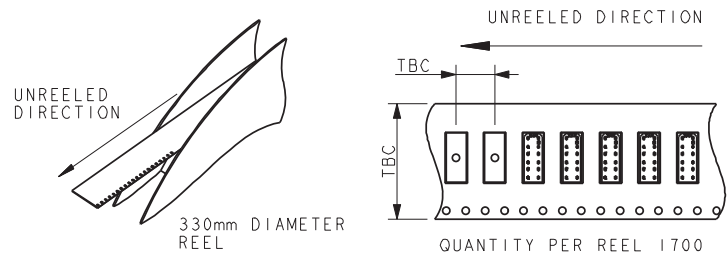
NOTES:

- 3 WAY CONNECTOR FOR IDC WIRE TO BOARD CONNECTOR.
- CONTACT/CAP TO MATCH 22AWG TO 26AWG STRANDED AND SOLID WIRE, MAXIMUM INSULATOR 1.40 DIAMETER
- FLAT FACE ON TOP OF CAP TO AID PICK AND PLACE ASSEMBLY.
- FOR FULL PRODUCT SPECIFICATION REFER TO AVX SPEC 201-01-215.
- ASSEMBLY PROCEDURE, REFER TO APPLICATION NOTES 201-01-216.
- GENERAL TOLERANCE ± 0.20 UNLESS STATED.
- PACKED IN TAPE AND REEL, QUANTITY PER REEL 1700.
- CONNECTOR OUTLINE.
- CONTACT MATERIAL: TIN PLATED COPPER ALLOY.
- INSULATOR MATERIAL: HIGH TEMPERATURE NYLON, GLASS FILLED. UL94 V-0, COLOR REFER TO PAGE 1.

SUGGESTED PCB LAYOUT



PACKING DETAILS

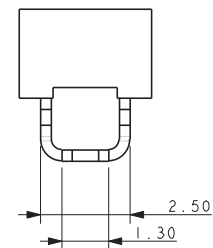
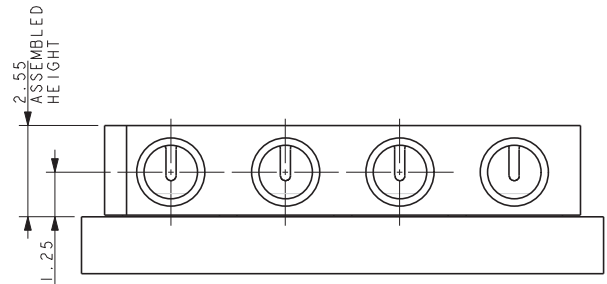
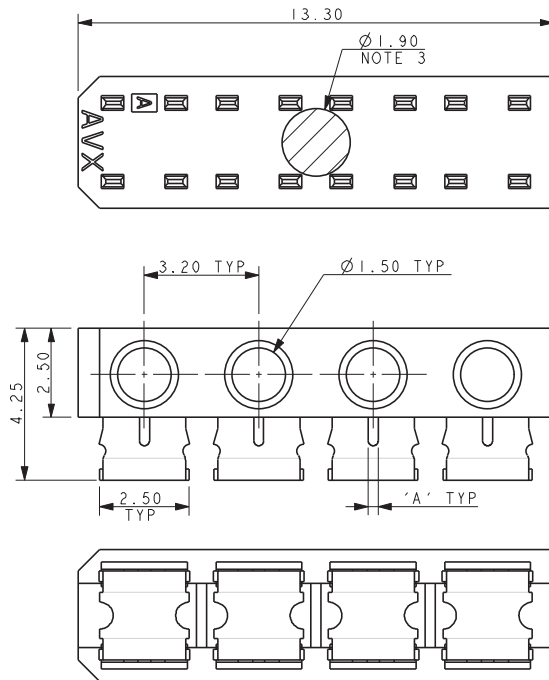


Low Profile IDC 22-26AWG

9176-800

00-9176-001-8X3-X06

4 WAY

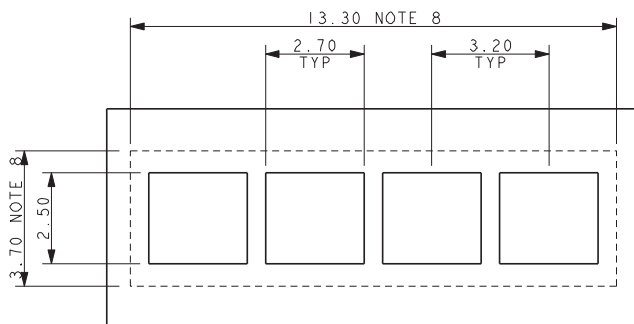


PART NUMBER See page 1	WIRE GAUGE	A
00-9176-004-853-X06	22AWG Solid and Stranded	0.47
00-9176-004-863-X06	24AWG Solid and Stranded	0.37
00-9176-004-873-X06	26AWG Solid and Stranded	0.28

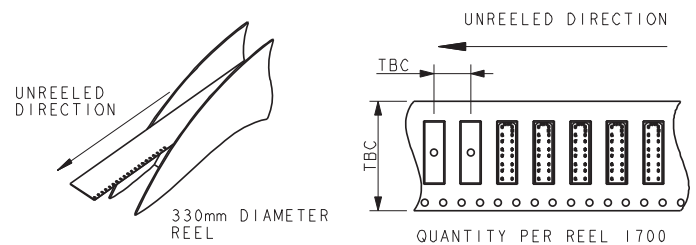
NOTES:

- 4 WAY CONNECTOR FOR IDC WIRE TO BOARD CONNECTOR.
- CONTACT/CAP TO MATCH 22AWG TO 26AWG STRANDED AND SOLID WIRE, MAXIMUM INSULATOR 1.40 DIAMETER
- FLAT FACE ON TOP OF CAP TO AID PICK AND PLACE ASSEMBLY.
- FOR FULL PRODUCT SPECIFICATION REFER TO AVX SPEC 201-01-215.
- ASSEMBLY PROCEDURE, REFER TO APPLICATION NOTES 201-01-216.
- GENERAL TOLERANCE ± 0.20 UNLESS STATED.
- PACKED IN TAPE AND REEL, QUANTITY PER REEL 1700.
- CONNECTOR OUTLINE.
- CONTACT MATERIAL: TIN PLATED COPPER ALLOY.
- INSULATOR MATERIAL: HIGH TEMPERATURE NYLON, GLASS FILLED. UL94 V-0, COLOR REFER TO PAGE 1.

SUGGESTED PCB LAYOUT



PACKING DETAILS



CONNECTOR DETAILS

